



The new generation of energy-saving LED PLS tube lighting

CorePro LED PLS

The Philips CorePro LED PLS integrates a LED light source into a traditional fluorescent form factor. This product is the ideal solution for uplamping in general lighting applications: it meets basic lighting requirements, offers significant energy savings and is environmentally friendly.

Benefits

- Reduced operational cost thanks to lower energy consumption
- Lower maintenance cost thanks to a 2-3 times longer lifetime than conventional lamps
- The fastest and easiest way to upgrade existing luminaires to LED technology; completely safe product and installation process

Features

- Highly energy-efficient
- Easy installation
- Conventional form factor to fit into existing luminaires
- No mercury

Application

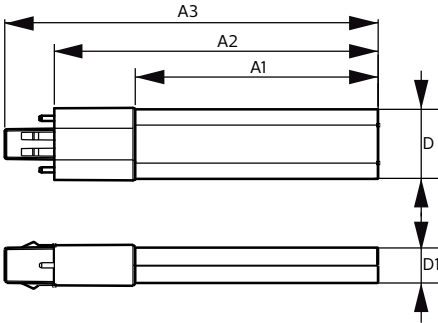
- Hospitality, retail, office, industrial and home applications

CorePro LED PLS

Versions



Dimensional drawing



Product	D	D1	A1	A2	A3
CorePro LED PLS 5W 840 2P G23	31.1 mm	15.8 mm	108 mm	144 mm	166 mm

