



The new generation of energy-saving LED PLS tube lighting

CorePro LED PLS

The Philips CorePro LED PLS integrates a LED light source into a traditional fluorescent form factor. This product is the ideal solution for uplampping in general lighting applications: it meets basic lighting requirements, offers significant energy savings, and is environment-friendly.

Benefits

- Reduced operational cost thanks to lower energy consumption
- Lower maintenance cost thanks to 2-3 times longer lifetime thanconventional lamps
- Fastest and easiest way to upgrade existing luminaires to LEDtechnology; completely safe product and installation process

Features

- Highly energy-efficient
- Easy installation
- Conventional form factor to fit into existing luminaires
- No mercury

Application

- Hospitality, retail, office, industrial and home applications

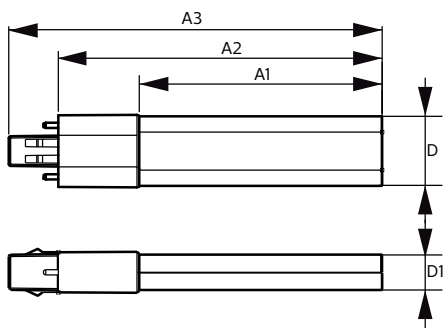
CorePro LED PLS

Versions



LEDtube G23

Dimensional drawing



Product	D	D1	A1	A2	A3
CorePro LED PLS 5W 840 2P G23	31.1 mm	15.8 mm	108 mm	144 mm	166 mm
CorePro LED PLS 5W 830 2P G23	31.1 mm	15.8 mm	108 mm	144 mm	166 mm

CorePro LED PLS

Approval and Application

Energy Consumption kWh/1000 h	7 kWh
Energy Efficiency Label (EEL)	A+

Controls and Dimming

Dimmable	No
----------	----

Operating and Electrical

Input Frequency	50 to 60 Hz
Voltage (Nom)	220-240 V
Power (Rated) (Nom)	5 W
Starting Time (Nom)	0.5 s

General Information

Cap-Base	G23
Nominal Lifetime (Nom)	30000 h
Rated Lifetime (Hours)	30000 h
Switching Cycle	50000X

Light Technical

Beam Angle (Nom)	120 °
Color Rendering Index (Nom)	82
Llmf At End Of Nominal Lifetime (Nom)	70 %
Rated Beam Angle	120 °

Temperature

T-Ambient (Max)	45 °C
T-Ambient (Min)	-20 °C
T-Case Maximum (Nom)	83 °C
T-Storage (Max)	65 °C
T-Storage (Min)	-40 °C

Light Technical

Order Code	Full Product Name	Color Code	Correlated Color Temperature (Nom)	Luminous Flux (Nom)	Luminous Flux (Rated) (Nom)
929001926302	CorePro LED PLS 5W 830 2P G23	830	3000 K	520 lm	520 lm
929001926402	CorePro LED PLS 5W 840 2P G23	840	4000 K	550 lm	550 lm

