



# Philips TownTune Central Post Top - Extending the home feel onto the street

## TownTune Central Post-Top

Designed to enhance existing and scalable urban spaces, the Philips TownTune family offers all the latest lighting innovations in terms of performance, quality of light and connectivity. The family consists of four solutions: a Central Post Top (CPT), an Asymmetric Spigot Post Top / Side Entry version (ASY), a version with an extending Lyre post top bracket (Lyre), and a Central Post Top with a Conical Comfort Bowl (CCB). Each TownTune luminaire can be customized with a choice of different shapes on top of the housing, plus there's the option to add a decorative ring, which comes in two colors (excluding CCB). Design options that enable you to create your very own lighting signature and bring a distinctive identity to districts and cities. In addition, every luminaire in the TownTune family is uniquely identifiable, thanks to the Signify Service tag app. By simply scanning a QR code, placed inside the door of the mast or directly on the luminaire, you can instantly access the configuration of the luminaire. This makes maintenance and programming operations faster and easier and enables you to create your digital library of lighting assets and spare parts. TownTune also uses the Philips LEDGINE-O lighting platform, ensuring you always have the right amount and direction of light on your street. Furthermore, thanks to being system ready (SR), TownTune is also future proof. A solution that's ready to be paired with both standalone and advanced control and lighting software applications such as Interact City.

# TownTune Central Post-Top

## Benefits

- LEDGINE-O platform for great performance, choice color temperatures and light distributions
- Optimized Total Cost of Ownership (L-Tune for flux tuning, standalone controls e.g., LumiStep, Dynadimmer, CLO (Constant Light output), LineSwitch)
- Ready to pair with advanced systems and software applications e.g., Interact City
- Long lifetime: 100,000 hours @L85 and higher
- Easy access to gear, vandal resistant (IK10), high ingress protection (IP66)

## Features

- Simple design for easy integration into urban spaces, wide range of accessories for customization
- Suitable for new and retrofit installations
- Range of lumen packages (1200 to 12000 lm) and CCTs (2200K, 2700K, 3000K, 4000K)
- Dedicated bowl for visual comfort and comfortable lighting experiences
- Service tag for easy installation and maintenance

## Application

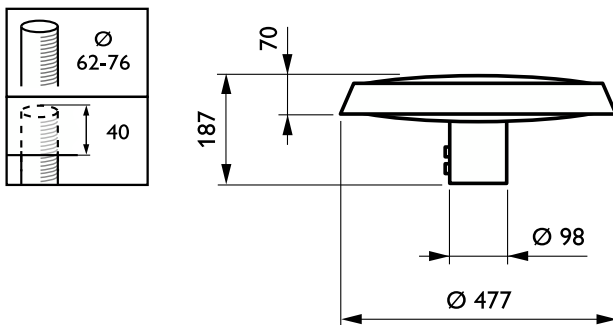
- Urban and residential areas
- Cycle paths, footpaths and pedestrian crossings
- City centers and squares
- Car parks

## Versions

BDP260, TownTune Central Post-  
Top Ral 7035



## Dimensional drawing



## TownTune Central Post-Top

### General Information

CE mark	Yes
Driver included	Yes
Flammability mark	For mounting on normally flammable surfaces
Light source replaceable	Yes
Number of gear units	1 unit
Product family code	BDP260
Service tag	Yes

### Light Technical

Optical cover type	Polycarbonate bowl/cover UV-resistant
Standard tilt angle side entry	-
Standard tilt angle posttop	0°
Upward light output ratio	0

### Mechanical and Housing

Housing Color	Gray
---------------	------

### Approval and Application

Mech. impact protection code	IK10
Ingress protection code	IP66
Surge Protection (Common/Differential)	Philips standard surge protection level

### Application Conditions

Maximum dim level	10%
-------------------	-----

### General Information

Order Code	Full Product Name	Lamp family code
912300024478	BDP260 LED35-4S/830 PSU II DS50 CLO 62P	LED35
912300024479	BDP260 LED35-4S/740 PSU II DS50 CLO 62P	LED35
912300024155	BDP260 LED39-4S/830 DM50 CLO DDF3 62P	LED39
912300024159	BDP260 LED14-4S/740 DW10 CLO SRTB 76P	LED14
912300024172	BDP260 LED35-4S/830 DW50 62P	LED35
912300024173	BDP260 LED79-4S/740 DM30 62P	LED79
912300024253	BDP260 LED39-4S/830 II DS50 62P	LED39
912300024254	BDP260 LED39-4S/740 II DS50 62P	LED39
912300024255	BDP260 LED39-4S/830 II DM10 62P	LED39
912300024256	BDP260 LED39-4S/740 II DM10 62P	LED39
912300024257	BDP260 LED39-4S/830 II DW10 62P	LED39
912300024258	BDP260 LED39-4S/740 II DW10 62P	LED39
912300024259	BDP260 LED50-4S/830 II DS50 62P	LED50
912300024260	BDP260 LED50-4S/740 II DS50 62P	LED50
912300024261	BDP260 LED50-4S/830 II DM10 62P	LED50
912300024262	BDP260 LED50-4S/740 II DM10 62P	LED50
912300024263	BDP260 LED50-4S/830 II DW10 62P	LED50
912300024264	BDP260 LED50-4S/740 II DW10 62P	LED50
912300024265	BDP260 LED74-4S/830 II DS50 62P	LED74
912300024266	BDP260 LED74-4S/740 II DS50 62P	LED74
912300024267	BDP260 LED74-4S/830 II DM10 62P	LED74
912300024268	BDP260 LED74-4S/740 II DM10 62P	LED74
912300024269	BDP260 LED74-4S/830 II DW10 62P	LED74
912300024270	BDP260 LED74-4S/740 II DW10 62P	LED74
912300024404	BDP260 LED35-4S/830 PSU II DS50 CLO 62P	LED35
912300024405	BDP260 LED35-4S/740 PSU II DS50 CLO 62P	LED35
912300024415	BDP260 12xLED30-4S/830 PSU II DM10 62P	LED30
912300024417	BDP260 LED30-4S/830 II DM10 SRB 62P	LED30
912300024418	BDP260 LED59-4S/830 II DM10 SRB 62P	LED59
912300024419	BDP260 LED74-4S/830 II DS50 SRB 62P	LED74
912300024437	BDP260 LED79-4S/830 PSU II DS50 62P	LED79
912300024438	BDP260 LED30-4S/830 PSU II DN11 62P	LED30
912300024439	BDP260 LED59-4S/830 PSU II DN11 62P	LED59
912300024440	BDP260 LED59-4S/830 PSU II DS50 62P	LED59
912300024441	BDP260 LED30-4S/830 PSU II DM10 62P	LED45
912300024444	BDP260 LED59-4S/830 II DN11 62P SRB WST2	LED59
912300024482	BDP260 LED35/830 II DS50 CLO 6M FQQ 62P	LED35
912300024483	BDP260 LED35/740 II DS50 CLO 6MFQQ 62P	LED35
912300024564	BDP260 LED100/740 PSR II DS50 PCC DGR 62	LED100
912300024565	BDP260 LED100/740 PSR II DS50 PCC DGR 76	LED100
912300024748	BDP260 LED30-4S/730 PSU II DN11 62P	LED30
912300024751	BDP260 LED59-4S/730 PSU II DS51 62P	LED59
912300024752	BDP260 LED79-4S/730 PSU II DS51 62P	LED79
912300024765	BDP260 LED74-4S/730 PSU II DS51 62P	LED74
912300024873	BDP260 LED69-4S/740 PSDD II DS50 DGR DF2	LED69
912300024888	BDP260 LED79-4S/830 SR DM70 DGRMSP P7SRB	LED79
912300024889	BDP260 LED79-4S/830 SR DS50 DGRMSP P7SRB	LED79
912300024890	BDP260 LED79-4S/830 SR DX50 DGRMSP P7SRB	LED79
912300060207	BDP260 LED39-4S/830 PSU DS50 PCC DGR 76P	LED39

## Light Technical (1/2)

## TownTune Central Post-Top

Order Code	Full Product Name	Luminaire light beam spread	Light source color	Correlated Color Temperature (Nom)	Color rendering index (CRI)
912300024478	BDP260 LED35-4S/830 PSU II DS50 CLO 62P	152° x 155°	830 warm white	3000 K	80
912300024479	BDP260 LED35-4S/740 PSU II DS50 CLO 62P	152° x 155°	740 neutral white	4000 K	70
912300024155	BDP260 LED39-4S/830 DM50 CLO DDF3 62P	30° - 5° x 153°	830 warm white	3000 K	80
912300024159	BDP260 LED14-4S/740 DW10 CLO SRTB 76P	7° - 52° x 150°	740 neutral white	4000 K	70
912300024172	BDP260 LED35-4S/830 DW50 62P	23° - 8° x 152°	830 warm white	3000 K	80
912300024173	BDP260 LED79-4S/740 DM30 62P	4° - 57° x 149°	740 neutral white	4000 K	70
912300024253	BDP260 LED39-4S/830 II DS50 62P	152° x 155°	830 warm white	3000 K	80
912300024254	BDP260 LED39-4S/740 II DS50 62P	152° x 155°	740 neutral white	4000 K	70
912300024255	BDP260 LED39-4S/830 II DM10 62P	77° - 11° x 156°	830 warm white	3000 K	80
912300024256	BDP260 LED39-4S/740 II DM10 62P	77° - 11° x 156°	740 neutral white	4000 K	70
912300024257	BDP260 LED39-4S/830 II DW10 62P	7° - 52° x 150°	830 warm white	3000 K	80
912300024258	BDP260 LED39-4S/740 II DW10 62P	7° - 52° x 150°	740 neutral white	4000 K	70
912300024259	BDP260 LED50-4S/830 II DS50 62P	152° x 155°	830 warm white	3000 K	80
912300024260	BDP260 LED50-4S/740 II DS50 62P	152° x 155°	740 neutral white	4000 K	70
912300024261	BDP260 LED50-4S/830 II DM10 62P	77° - 11° x 156°	830 warm white	3000 K	80

Order Code	Full Product Name	Luminaire light beam spread	Light source color	Correlated Color Temperature (Nom)	Color rendering index (CRI)
912300024262	BDP260 LED50-4S/740 II DM10 62P	77° - 11° x 156°	740 neutral white	4000 K	70
912300024263	BDP260 LED50-4S/830 II DW10 62P	7° - 52° x 150°	830 warm white	3000 K	80
912300024264	BDP260 LED50-4S/740 II DW10 62P	7° - 52° x 150°	740 neutral white	4000 K	70
912300024265	BDP260 LED74-4S/830 II DS50 62P	152° x 155°	830 warm white	3000 K	80
912300024266	BDP260 LED74-4S/740 II DS50 62P	152° x 155°	740 neutral white	4000 K	70
912300024267	BDP260 LED74-4S/830 II DM10 62P	77° - 11° x 156°	830 warm white	3000 K	80
912300024268	BDP260 LED74-4S/740 II DM10 62P	77° - 11° x 156°	740 neutral white	4000 K	70
912300024269	BDP260 LED74-4S/830 II DW10 62P	7° - 52° x 150°	830 warm white	3000 K	80
912300024270	BDP260 LED74-4S/740 II DW10 62P	7° - 52° x 150°	740 neutral white	4000 K	70
912300024404	BDP260 LED35-4S/830 PSU II DS50 CLO 62P	152° x 155°	830 warm white	3000 K	80
912300024405	BDP260 LED35-4S/740 PSU II DS50 CLO 62P	152° x 155°	740 neutral white	4000 K	70
912300024415	BDP260 12xLED30-4S/830 PSU II DM10 62P	77° - 11° x 156°	830 warm white	3000 K	80
912300024417	BDP260 LED30-4S/830 II DM10 SRB 62P	77° - 11° x 156°	830 warm white	3000 K	80
912300024418	BDP260 LED59-4S/830 II DM10 SRB 62P	77° - 11° x 156°	830 warm white	3000 K	80
912300024419	BDP260 LED74-4S/830 II DS50 SRB 62P	152° x 155°	740 neutral white	3000 K	70

## TownTune Central Post-Top

Order Code	Full Product Name	Luminaire light beam spread	Light source color	Correlated Color Temperature (Nom)	Color rendering index (CRI)
912300024437	BDP260 LED79-4S/830 PSU II DS50 62P	152° x 155°	830 warm white	3000 K	80
912300024438	BDP260 LED30-4S/830 PSU II DN11 62P	12° - 29° x 152°	830 warm white	3000 K	80
912300024439	BDP260 LED59-4S/830 PSU II DN11 62P	12° - 29° x 152°	830 warm white	3000 K	80
912300024440	BDP260 LED59-4S/830 PSU II DS50 62P	152° x 155°	830 warm white	3000 K	80
912300024441	BDP260 LED30-4S/830 PSU II DM10 62P	77° - 11° x 156°	830 warm white	3000 K	80
912300024444	BDP260 LED59-4S/830 II DN11 62P SRB WST2	12° - 29° x 152°	830 warm white	3000 K	80
912300024482	BDP260 LED35/830 II DS50 CLO 6M FQQ 62P	152° x 155°	830 warm white	3000 K	80
912300024483	BDP260 LED35/740 II DS50 CLO 6MFQQ 62P	152° x 155°	740 neutral white	4000 K	70
912300024564	BDP260 LED100/740 PSR II DS50 PCC DGR 62	152° x 155°	740 neutral white	4000 K	70
912300024565	BDP260 LED100/740 PSR II DS50 PCC DGR 76	152° x 155°	740 neutral white	4000 K	70

Order Code	Full Product Name	Luminaire light beam spread	Light source color	Correlated Color Temperature (Nom)	Color rendering index (CRI)
912300024748	BDP260 LED30-4S/730 PSU II DN11 62P	12° - 29° x 152°	730 warm white	3000 K	70
912300024751	BDP260 LED59-4S/730 PSU II DS51 62P	26°	730 warm white	3000 K	70
912300024752	BDP260 LED79-4S/730 PSU II DS51 62P	26°	730 warm white	3000 K	70
912300024765	BDP260 LED74-4S/730 PSU II DS51 62P	26°	730 warm white	3000 K	70
912300024873	BDP260 LED69-4S/740 PSDD II DS50 DGR DF2	152° x 155°	740 neutral white	4000 K	70
912300024888	BDP260 LED79-4S/830 SR DM70 DGRMSP P7SRB	120° x 120°	830 warm white	3000 K	80
912300024889	BDP260 LED79-4S/830 SR DS50 DGRMSP P7SRB	152° x 155°	830 warm white	3000 K	80
912300024890	BDP260 LED79-4S/830 SR DX50 DGRMSP P7SRB	17° - 5° x 132°	830 warm white	3000 K	80
912300060207	BDP260 LED39-4S/830 PSU DS50 PCC DGR 76P	152° x 155°	830 warm white	3000 K	80

### Light Technical (2/2)

Order Code	Full Product Name	Luminous Flux	Number of light sources	Optic type outdoor
912300024478	BDP260 LED35-4S/830 PSU II DS50 CLO 62P	2,448 lm	20	Distribution symmetrical 50
912300024479	BDP260 LED35-4S/740 PSU II DS50 CLO 62P	2,482 lm	12	Distribution symmetrical 50
912300024155	BDP260 LED39-4S/830 DM50 CLO DDF3 62P	2,546 lm	-	Distribution medium 50
912300024159	BDP260 LED14-4S/740 DW10 CLO SRTB 76P	1,078 lm	-	Distribution wide 10

Order Code	Full Product Name	Luminous Flux	Number of light sources	Optic type outdoor
912300024172	BDP260 LED35-4S/830 DW50 62P	2,380 lm	-	Distribution wide 50
912300024173	BDP260 LED79-4S/740 DM30 62P	5,760 lm	-	Distribution medium 30
912300024253	BDP260 LED39-4S/830 II DS50 62P	2,769 lm	-	Distribution symmetrical 50
912300024254	BDP260 LED39-4S/740 II DS50 62P	2,808 lm	-	Distribution symmetrical 50

## TownTune Central Post-Top

Order Code	Full Product Name	Luminous Flux	Number of light sources	Optic type outdoor
912300024255	BDP260 LED39-4S/830 II DM10 62P	2,769 lm	-	Distribution medium 10
912300024256	BDP260 LED39-4S/740 II DM10 62P	2,808 lm	-	Distribution medium 10
912300024257	BDP260 LED39-4S/830 II DW10 62P	2,925 lm	-	Distribution wide 10
912300024258	BDP260 LED39-4S/740 II DW10 62P	2,925 lm	-	Distribution wide 10
912300024259	BDP260 LED50-4S/830 II DS50 62P	3,500 lm	-	Distribution symmetrical 50
912300024260	BDP260 LED50-4S/740 II DS50 62P	3,550 lm	-	Distribution symmetrical 50
912300024261	BDP260 LED50-4S/830 II DM10 62P	3,500 lm	-	Distribution medium 10
912300024262	BDP260 LED50-4S/740 II DM10 62P	3,550 lm	-	Distribution medium 10
912300024263	BDP260 LED50-4S/830 II DW10 62P	3,700 lm	-	Distribution wide 10
912300024264	BDP260 LED50-4S/740 II DW10 62P	3,750 lm	-	Distribution wide 10
912300024265	BDP260 LED74-4S/830 II DS50 62P	5,106 lm	-	Distribution symmetrical 50
912300024266	BDP260 LED74-4S/740 II DS50 62P	5,254 lm	-	Distribution symmetrical 50
912300024267	BDP260 LED74-4S/830 II DM10 62P	5,106 lm	-	Distribution medium 10
912300024268	BDP260 LED74-4S/740 II DM10 62P	5,254 lm	-	Distribution medium 10
912300024269	BDP260 LED74-4S/830 II DW10 62P	5,402 lm	-	Distribution wide 10
912300024270	BDP260 LED74-4S/740 II DW10 62P	5,550 lm	-	Distribution wide 10
912300024404	BDP260 LED35-4S/830 PSU II DS50 CLO 62P	2,448 lm	20	Distribution symmetrical 50
912300024405	BDP260 LED35-4S/740 PSU II DS50 CLO 62P	2,482 lm	12	Distribution symmetrical 50
912300024415	BDP260 12xLED30-4S/830 PSU II DM10 62P	2,190 lm	12	Distribution medium 10
912300024417	BDP260 LED30-4S/830 II DM10 SRB 62P	2,190 lm	-	Distribution medium 10
912300024418	BDP260 LED59-4S/830 II DM10 SRB 62P	4,260 lm	-	Distribution medium 10
912300024419	BDP260 LED74-4S/830 II DS50 SRB 62P	5,254 lm	-	Distribution symmetrical 50

Order Code	Full Product Name	Luminous Flux	Number of light sources	Optic type outdoor
912300024437	BDP260 LED79-4S/830 PSU II DS50 62P	5,520 lm	40	Distribution symmetrical 50
912300024438	BDP260 LED30-4S/830 PSU II DN11 62P	2,070 lm	12	Distribution narrow 11
912300024439	BDP260 LED59-4S/830 PSU II DN11 62P	4,140 lm	40	Distribution narrow 11
912300024440	BDP260 LED59-4S/830 PSU II DS50 62P	4,260 lm	40	Distribution symmetrical 50
912300024441	BDP260 LED30-4S/830 PSU II DM10 62P	3,195 lm	20	Distribution medium 10
912300024444	BDP260 LED59-4S/830 II DN11 62P SRB WST2	4,140 lm	-	Distribution narrow 11
912300024482	BDP260 LED35/830 II DS50 CLO 6M FQQ 62P	2,448 lm	-	Distribution symmetrical 50
912300024483	BDP260 LED35/740 II DS50 CLO 6MFQQ 62P	2,482 lm	-	Distribution symmetrical 50
912300024564	BDP260 LED100/740 PSR II DS50 PCC DGR 62	6,900 lm	40	Distribution symmetrical 50
912300024565	BDP260 LED100/740 PSR II DS50 PCC DGR 76	6,900 lm	40	Distribution symmetrical 50
912300024748	BDP260 LED30-4S/730 PSU II DN11 62P	2,070 lm	-	Distribution narrow 11
912300024751	BDP260 LED59-4S/730 PSU II DS51 62P	4,260 lm	-	Distribution symmetrical DS51
912300024752	BDP260 LED79-4S/730 PSU II DS51 62P	5,680 lm	-	Distribution symmetrical DS51
912300024765	BDP260 LED74-4S/730 PSU II DS51 62P	5,254 lm	-	Distribution symmetrical DS51
912300024873	BDP260 LED69-4S/740 PSDD II DS50 DGR DF2	4,970 lm	40	Distribution symmetrical 50
912300024888	BDP260 LED79-4S/830 SR DM70 DGRMSP P7SRB	5,120 lm	-	Distribution medium 70
912300024889	BDP260 LED79-4S/830 SR DS50 DGRMSP P7SRB	5,520 lm	-	Distribution symmetrical 50
912300024890	BDP260 LED79-4S/830 SR DX50 DGRMSP P7SRB	5,920 lm	-	Distribution extra wide 50
912300060207	BDP260 LED39-4S/830 PSU DS50 PCC DGR 76P	2,769 lm	-	Distribution symmetrical 50

### Operating and Electrical

Order Code	Full Product Name	Power Consumption
912300024478	BDP260 LED35-4S/830 PSU II DS50 CLO 62P	26.5 W

Order Code	Full Product Name	Power Consumption
912300024479	BDP260 LED35-4S/740 PSU II DS50 CLO 62P	21.5 W

## TownTune Central Post-Top

Order Code	Full Product Name	Power Consumption
912300024155	BDP260 LED39-4S/830 DM50 CLO DDF3 62P	30 W
912300024159	BDP260 LED14-4S/740 DW10 CLO SRTB 76P	9.3 W
912300024172	BDP260 LED35-4S/830 DW50 62P	27.5 W
912300024173	BDP260 LED79-4S/740 DM30 62P	46 W
912300024253	BDP260 LED39-4S/830 II DS50 62P	31 W
912300024254	BDP260 LED39-4S/740 II DS50 62P	24 W
912300024255	BDP260 LED39-4S/830 II DM10 62P	31 W
912300024256	BDP260 LED39-4S/740 II DM10 62P	24 W
912300024257	BDP260 LED39-4S/830 II DW10 62P	31 W
912300024258	BDP260 LED39-4S/740 II DW10 62P	24 W
912300024259	BDP260 LED50-4S/830 II DS50 62P	40.5 W
912300024260	BDP260 LED50-4S/740 II DS50 62P	31 W
912300024261	BDP260 LED50-4S/830 II DM10 62P	40.5 W
912300024262	BDP260 LED50-4S/740 II DM10 62P	31 W
912300024263	BDP260 LED50-4S/830 II DW10 62P	40.5 W
912300024264	BDP260 LED50-4S/740 II DW10 62P	31 W
912300024265	BDP260 LED74-4S/830 II DS50 62P	56 W
912300024266	BDP260 LED74-4S/740 II DS50 62P	43 W
912300024267	BDP260 LED74-4S/830 II DM10 62P	56 W
912300024268	BDP260 LED74-4S/740 II DM10 62P	43 W
912300024269	BDP260 LED74-4S/830 II DW10 62P	56 W
912300024270	BDP260 LED74-4S/740 II DW10 62P	43 W
912300024404	BDP260 LED35-4S/830 PSU II DS50 CLO 62P	26.5 W
912300024405	BDP260 LED35-4S/740 PSU II DS50 CLO 62P	21.5 W
912300024415	BDP260 12xLED30-4S/830 PSU II DM10 62P	25 W

Order Code	Full Product Name	Power Consumption
912300024417	BDP260 LED30-4S/830 II DM10 SRB 62P	25 W
912300024418	BDP260 LED59-4S/830 II DM10 SRB 62P	44 W
912300024419	BDP260 LED74-4S/830 II DS50 SRB 62P	43.5 W
912300024437	BDP260 LED79-4S/830 PSU II DS50 62P	60 W
912300024438	BDP260 LED30-4S/830 PSU II DN11 62P	25 W
912300024439	BDP260 LED59-4S/830 PSU II DN11 62P	44 W
912300024440	BDP260 LED59-4S/830 PSU II DS50 62P	44 W
912300024441	BDP260 LED30-4S/830 PSU II DM10 62P	36 W
912300024444	BDP260 LED59-4S/830 II DN11 62P SRB WST2	44 W
912300024482	BDP260 LED35/830 II DS50 CLO 6M FQQ 62P	26.5 W
912300024483	BDP260 LED35/740 II DS50 CLO 6MFQQ 62P	21.5 W
912300024564	BDP260 LED100/740 PSR II DS50 PCC DGR 62	59 W
912300024565	BDP260 LED100/740 PSR II DS50 PCC DGR 76	59 W
912300024748	BDP260 LED30-4S/730 PSU II DN11 62P	20.5 W
912300024751	BDP260 LED59-4S/730 PSU II DS51 62P	39.5 W
912300024752	BDP260 LED79-4S/730 PSU II DS51 62P	49 W
912300024765	BDP260 LED74-4S/730 PSU II DS51 62P	46 W
912300024873	BDP260 LED69-4S/740 PSDD II DS50 DGR DF2	40.5 W
912300024888	BDP260 LED79-4S/830 SR DM70 DGRMSP P7SRB	60 W
912300024889	BDP260 LED79-4S/830 SR DS50 DGRMSP P7SRB	60 W
912300024890	BDP260 LED79-4S/830 SR DX50 DGRMSP P7SRB	60 W
912300060207	BDP260 LED39-4S/830 PSU DS50 PCC DGR 76P	31 W

### Controls and Dimming

Order Code	Full Product Name	Dimmable
912300024478	BDP260 LED35-4S/830 PSU II DS50 CLO 62P	Yes
912300024479	BDP260 LED35-4S/740 PSU II DS50 CLO 62P	Yes
912300024155	BDP260 LED39-4S/830 DM50 CLO DDF3 62P	Yes
912300024159	BDP260 LED14-4S/740 DW10 CLO SRTB 76P	Yes
912300024172	BDP260 LED35-4S/830 DW50 62P	No
912300024173	BDP260 LED79-4S/740 DM30 62P	No
912300024253	BDP260 LED39-4S/830 II DS50 62P	No
912300024254	BDP260 LED39-4S/740 II DS50 62P	No
912300024255	BDP260 LED39-4S/830 II DM10 62P	No
912300024256	BDP260 LED39-4S/740 II DM10 62P	No
912300024257	BDP260 LED39-4S/830 II DW10 62P	No
912300024258	BDP260 LED39-4S/740 II DW10 62P	No
912300024259	BDP260 LED50-4S/830 II DS50 62P	No
912300024260	BDP260 LED50-4S/740 II DS50 62P	No
912300024261	BDP260 LED50-4S/830 II DM10 62P	No
912300024262	BDP260 LED50-4S/740 II DM10 62P	No
912300024263	BDP260 LED50-4S/830 II DW10 62P	No
912300024264	BDP260 LED50-4S/740 II DW10 62P	No
912300024265	BDP260 LED74-4S/830 II DS50 62P	No
912300024266	BDP260 LED74-4S/740 II DS50 62P	No
912300024267	BDP260 LED74-4S/830 II DM10 62P	No
912300024268	BDP260 LED74-4S/740 II DM10 62P	No
912300024269	BDP260 LED74-4S/830 II DW10 62P	No

Order Code	Full Product Name	Dimmable
912300024270	BDP260 LED74-4S/740 II DW10 62P	No
912300024404	BDP260 LED35-4S/830 PSU II DS50 CLO 62P	Yes
912300024405	BDP260 LED35-4S/740 PSU II DS50 CLO 62P	Yes
912300024415	BDP260 12xLED30-4S/830 PSU II DM10 62P	No
912300024417	BDP260 LED30-4S/830 II DM10 SRB 62P	Yes
912300024418	BDP260 LED59-4S/830 II DM10 SRB 62P	Yes
912300024419	BDP260 LED74-4S/830 II DS50 SRB 62P	Yes
912300024437	BDP260 LED79-4S/830 PSU II DS50 62P	No
912300024438	BDP260 LED30-4S/830 PSU II DN11 62P	No
912300024439	BDP260 LED59-4S/830 PSU II DN11 62P	No
912300024440	BDP260 LED59-4S/830 PSU II DS50 62P	No
912300024441	BDP260 LED30-4S/830 PSU II DM10 62P	No
912300024444	BDP260 LED59-4S/830 II DN11 62P SRB WST2	Yes
912300024482	BDP260 LED35/830 II DS50 CLO 6M FQQ 62P	Yes
912300024483	BDP260 LED35/740 II DS50 CLO 6MFQQ 62P	Yes
912300024564	BDP260 LED100/740 PSR II DS50 PCC DGR 62	Yes
912300024565	BDP260 LED100/740 PSR II DS50 PCC DGR 76	Yes
912300024748	BDP260 LED30-4S/730 PSU II DN11 62P	No
912300024751	BDP260 LED59-4S/730 PSU II DS51 62P	No
912300024752	BDP260 LED79-4S/730 PSU II DS51 62P	No
912300024765	BDP260 LED74-4S/730 PSU II DS51 62P	No
912300024873	BDP260 LED69-4S/740 PSDD II DS50 DGR DF2	Yes
912300024888	BDP260 LED79-4S/830 SR DM70 DGRMSP P7SRB	Yes

## TownTune Central Post-Top

Order Code	Full Product Name	Dimmable
912300024889	BDP260 LED79-4S/830 SR DS50 DGRMSP P7SRB	Yes
912300024890	BDP260 LED79-4S/830 SR DX50 DGRMSP P7SRB	Yes

Order Code	Full Product Name	Dimmable
912300060207	BDP260 LED39-4S/830 PSU DS50 PCC DGR 76P	No

### Over Time Performance (IEC Compliant)

Order Code	Full Product Name	Driver failure rate at 5000 h
912300024478	BDP260 LED35-4S/830 PSU II DS50 CLO 62P	0.5 %
912300024479	BDP260 LED35-4S/740 PSU II DS50 CLO 62P	0.5 %
912300024155	BDP260 LED39-4S/830 DM50 CLO DDF3 62P	0.5 %
912300024159	BDP260 LED14-4S/740 DW10 CLO SRTB 76P	0.5 %
912300024172	BDP260 LED35-4S/830 DW50 62P	0.5 %
912300024173	BDP260 LED79-4S/740 DM30 62P	0.5 %
912300024253	BDP260 LED39-4S/830 II DS50 62P	0.5 %
912300024254	BDP260 LED39-4S/740 II DS50 62P	0.5 %
912300024255	BDP260 LED39-4S/830 II DM10 62P	0.5 %
912300024256	BDP260 LED39-4S/740 II DM10 62P	0.5 %
912300024257	BDP260 LED39-4S/830 II DW10 62P	0.5 %
912300024258	BDP260 LED39-4S/740 II DW10 62P	0.5 %
912300024259	BDP260 LED50-4S/830 II DS50 62P	0.5 %
912300024260	BDP260 LED50-4S/740 II DS50 62P	0.5 %
912300024261	BDP260 LED50-4S/830 II DM10 62P	0.5 %
912300024262	BDP260 LED50-4S/740 II DM10 62P	0.5 %
912300024263	BDP260 LED50-4S/830 II DW10 62P	0.5 %
912300024264	BDP260 LED50-4S/740 II DW10 62P	0.5 %
912300024265	BDP260 LED74-4S/830 II DS50 62P	0.5 %
912300024266	BDP260 LED74-4S/740 II DS50 62P	0.5 %
912300024267	BDP260 LED74-4S/830 II DM10 62P	0.5 %
912300024268	BDP260 LED74-4S/740 II DM10 62P	0.5 %
912300024269	BDP260 LED74-4S/830 II DW10 62P	0.5 %
912300024270	BDP260 LED74-4S/740 II DW10 62P	0.5 %
912300024404	BDP260 LED35-4S/830 PSU II DS50 CLO 62P	0.5 %

Order Code	Full Product Name	Driver failure rate at 5000 h
912300024405	BDP260 LED35-4S/740 PSU II DS50 CLO 62P	0.5 %
912300024415	BDP260 12xLED30-4S/830 PSU II DM10 62P	0.5 %
912300024417	BDP260 LED30-4S/830 II DM10 SRB 62P	0.5 %
912300024418	BDP260 LED59-4S/830 II DM10 SRB 62P	0.5 %
912300024419	BDP260 LED74-4S/830 II DS50 SRB 62P	0.5 %
912300024437	BDP260 LED79-4S/830 PSU II DS50 62P	0.5 %
912300024438	BDP260 LED30-4S/830 PSU II DN11 62P	0.5 %
912300024439	BDP260 LED59-4S/830 PSU II DN11 62P	0.5 %
912300024440	BDP260 LED59-4S/830 PSU II DS50 62P	0.5 %
912300024441	BDP260 LED30-4S/830 PSU II DM10 62P	0.5 %
912300024444	BDP260 LED59-4S/830 II DN11 62P SRB WST2	0.5 %
912300024482	BDP260 LED35/830 II DS50 CLO 6M FQQ 62P	0.5 %
912300024483	BDP260 LED35/740 II DS50 CLO 6MFQQ 62P	0.5 %
912300024564	BDP260 LED100/740 PSR II DS50 PCC DGR 62	0.5 %
912300024565	BDP260 LED100/740 PSR II DS50 PCC DGR 76	0.5 %
912300024748	BDP260 LED30-4S/730 PSU II DN11 62P	-
912300024751	BDP260 LED59-4S/730 PSU II DS51 62P	-
912300024752	BDP260 LED79-4S/730 PSU II DS51 62P	-
912300024765	BDP260 LED74-4S/730 PSU II DS51 62P	-
912300024873	BDP260 LED69-4S/740 PSDD II DS50 DGR DF2	-
912300024888	BDP260 LED79-4S/830 SR DM70 DGRMSP P7SRB	-
912300024889	BDP260 LED79-4S/830 SR DS50 DGRMSP P7SRB	-
912300024890	BDP260 LED79-4S/830 SR DX50 DGRMSP P7SRB	-
912300060207	BDP260 LED39-4S/830 PSU DS50 PCC DGR 76P	-

