



# Philips most advanced LED replacements for compact fluorescent 2-pin PL-S lamps

## PL-S

Philips LED PL-S lamps make the transition to LED from CFL lamps as simple as replacing a lamp. The InstantFit (UL Type A) 2-pin PL-S LED lamps are available in a wide array of color temperatures. They quickly and effectively replace 13W 2-pin compact fluorescent PL-S lamps.

### Benefits

- Minimizes overall lighting costs
- Offers cheapest and easiest upgrade to LED lighting technology
- Excellent compatibility with existing fluorescent ballasts

### Features

- High energy efficiency, over 40% energy savings
- Long lifetime
- Easy plug-and-play installation. Retrofit replacement of existing CFL-ni lamps
- Conventional form factor fits into existing luminaires
- Durable polycarbonate construction

### Application

- Residential and multi-family complexes
- Retail and hospitality

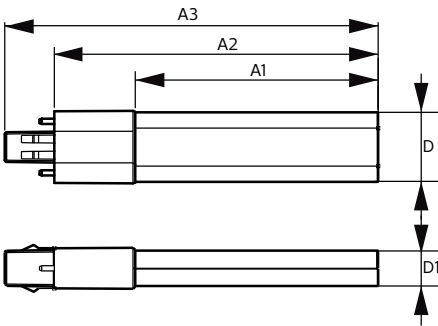
# PL-S

## Versions



LEDtube GX23

## Dimensional drawing



Product	D	D1	A1	A2	A3
5PL-S/LED/13H/827/IF5/P/2P 20/1	31.1 mm	15.8 mm	108 mm	144 mm	166 mm
5PL-S/LED/13H/830/IF5/P/2P 20/1	31.1 mm	15.8 mm	108 mm	144 mm	166 mm
5PL-S/LED/13H/835/IF5/P/2P 20/1	31.1 mm	15.8 mm	108 mm	144 mm	166 mm
5PL-S/LED/13H/840/IF5/P/2P 20/1	31.1 mm	15.8 mm	108 mm	144 mm	166 mm

**Controls and Dimming**

Dimmable	No
----------	----

**Operating and Electrical**

Input Frequency	50 to 60 Hz
Voltage (Nom)	120-277 V
Power (Rated) (Nom)	5 W
Starting Time (Nom)	0.5 s

**General Information**

Cap-Base	GX23
Nominal Lifetime (Nom)	50000 h
Rated Lifetime (Hours)	50000 h
Switching Cycle	50000X

**Light Technical**

Beam Angle (Nom)	120 °
Color Rendering Index (Nom)	82
Llmf At End Of Nominal Lifetime (Nom)	70 %
Rated Beam Angle	120 °

**Temperature**

T-Ambient (Max)	45 °C
T-Ambient (Min)	-20 °C
T-Case Maximum (Nom)	75 °C
T-Storage (Max)	65 °C
T-Storage (Min)	-40 °C

**Light Technical**

Order Code	Full Product Name	Color Code	Correlated Color Temperature (Nom)	Luminous Flux (Nom)	Luminous Flux (Rated) (Nom)
529511	5PL-S/LED/13H/827/IF5/P/2P/20/1	827	2700 K	520 lm	520 lm
529560	5PL-S/LED/13H/830/IF5/P/2P/20/1	830	3000 K	540 lm	540 lm
529578	5PL-S/LED/13H/835/IF5/P/2P/20/1	835	3500 K	560 lm	560 lm
529586	5PL-S/LED/13H/840/IF5/P/2P/20/1	841	4000 K	580 lm	580 lm

