

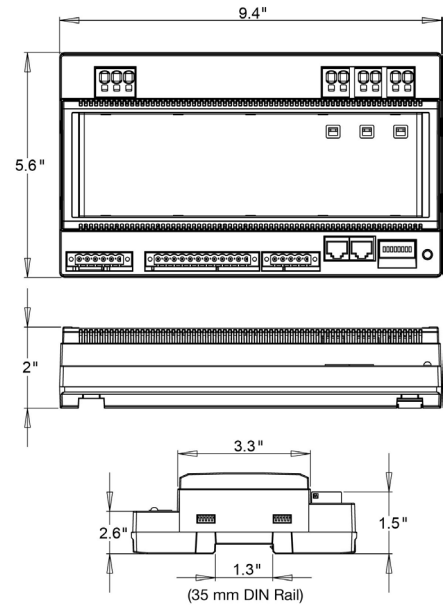


# DMBC320-DALI-NA Load Controller

## Control up to 192 DALI devices

The DMBC320-DALI-NA features three DALI outputs, allowing control of up to 192 DALI devices. It also features 3 x 20 A feed-through switched circuits for DALI driver mains supply.

- Compatible with a range of DALI fittings and devices — Including; DALI fluorescent drivers, DALI electronic low-voltage transformers and DALI LED drivers/fixtures.
- Innate energy savings — Control signals can be programmed to operate in tandem with three internal switched outputs, which will automatically isolate the power circuit when all associated channels are at 0%. This is a useful feature as DALI drivers still draw power when lamps are turned off via a DALI command.
- Fully scalable network solution — Direct mapping from DALI to the Philips Dynalite DyNet network protocol eliminates DALI imposed limits, such as maximum group sizes.
- Simple mounting — Mounts in a factory-supplied Type 1 enclosure.
- Integral DALI bus power supply — Removes the need for provision of a separate external power supply and reduces distribution board wiring complexity.
- Inbuilt diagnostic functionality — Features lamp and driver failure reporting, driver run time tracking for each driver and Device Online/Offline status capability.
- Dry contact inputs — Eight, Class 2, non-isolated dry contact inputs are provided for remote switches.
- Options available — Including Relay Status Reporting and UL924 compliant load controller for use with emergency lighting circuits.
- Simple set-up — A configuration switch is provided for the set-up of small systems without the need for a PC.



For detailed product information, please refer to the product information pages at [www.philips.com/lightingcontrolsna](http://www.philips.com/lightingcontrolsna).

## Specifications

Due to continuous improvements and innovations, specifications may change without notice.

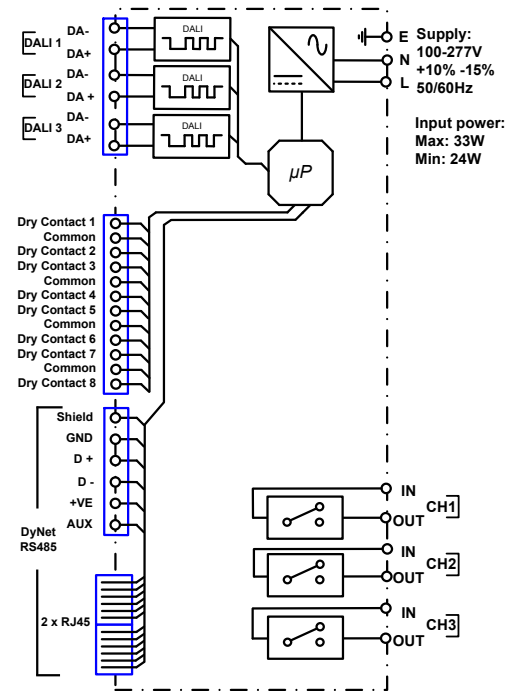
Item	Specification	Details
Electrical	Input Voltage	120 - 277 VAC (+10% / -15%), 50 / 60 Hz, Single Phase & Neutral Input power: Max 33 W, Avg 24 W Input current: 120 VAC max. 0.40 A, 277 VAC max. 0.15 A
	DyNet DC Supply	24 VDC @ 500 mA
	Outputs	3 x DALI control outputs, each supporting a full DALI loop of 64 channels (192 totals), including two-way communications.
	Bus Power Supply	Inbuilt DALI bus power supply 15 VDC rated 128 A per loop. Short circuit current max. 250 mA per loop overload protected.
	Mains Outputs	3 x 16 A feed-through switched circuits for DALI driver mains supply Voltage rating: Channel-to-channel 480 VAC, Channel-to-out: 277 VAC, 8 - 24 AWG Cu wire
	Relays	Latching type, lighting and resistive load rated
Control	Control Inputs	One RS-485 DyNet serial port Eight non-isolated dry contact inputs (10 VDC, 0.7 mA)
	User Controls	Service override switch Diagnostic LED Manual override switch for each relay
	Preset Scenes	16 per Area
	Diagnostic Functions	Lamp failure reporting Driver failure reporting Driver run time tracking for each driver and the switched output Device online/offline status <small>* EnvisionManager interface required for analyzing diagnostic data. The availability of some diagnostics is dependent on driver type.</small>
Physical	Supply Terminals	Line, Neutral, Ground, 8 - 24 AWG Cu wire
	Output Terminals	3 x DALI Loop Low Voltage, 12 - 22 AWG Cu wire
	Dimensions (H x W x D)	5.6" x 9.4" x 2.0" (142 mm x 239 mm x 51 mm)
	Packed Weight	2.2 lbs (1.0 kg)
	Construction	Lexan 920, UL94-VO
	Operating Conditions	Temperature: 32 to 104° F (0 to 40° C) ambient Humidity: 0 to 95% non-condensing
Storage & Transport	Temperature: -13 to 140° F (-25 to 60° C) ambient Humidity: 0 to 90% non-condensing	
Certification	Certification	UL/cUL Recognized, ICES, FCC, RoHS Compliant
Options & Ordering	Standard Product	DMBC320-DALI-NA (Philips I2NC - 913703531009)
	UL924 Compliant	DMBC320-DALI-EMG-NA (Philips I2NC - 913703531109)

## Load compatibility

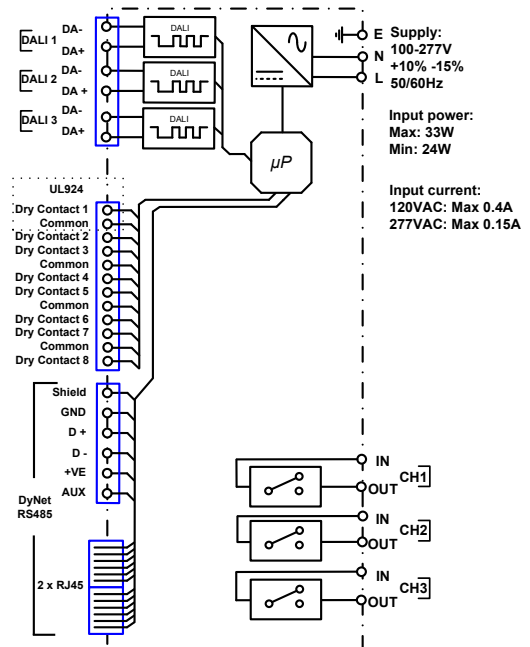
Load Type	Max Load
Electronic Driver	16 A, 120 VAC
Electronic Driver	16 A, 277 VAC



## Electrical Diagram - DMBC320-DALI-NA



## Electrical Diagram - DMBC320-DALI-EMG-NA



Specifications subject to change without notice. © WMGD Pty Ltd Trading as Dyalite. Unit 6, 691 Gardeners Road Mascot 2020 Australia. ABN 33 097 246 921. All rights reserved. Dyalite, DyNet and associated logos are the registered trademarks of WMGD Pty Ltd. Not to be reproduced without permission.



**Philips Lighting North America**  
200 Franklin Square Dr  
Somerset, NJ, United States  
Tel: 1-800-526-2731  
Email: controls.support@philips.com  
Web: www.philips.com/lightingcontrolsna

**Philips Lighting Canada**  
281 Hillmount Road  
Markham, Ontario L6C 2S3  
Canada