

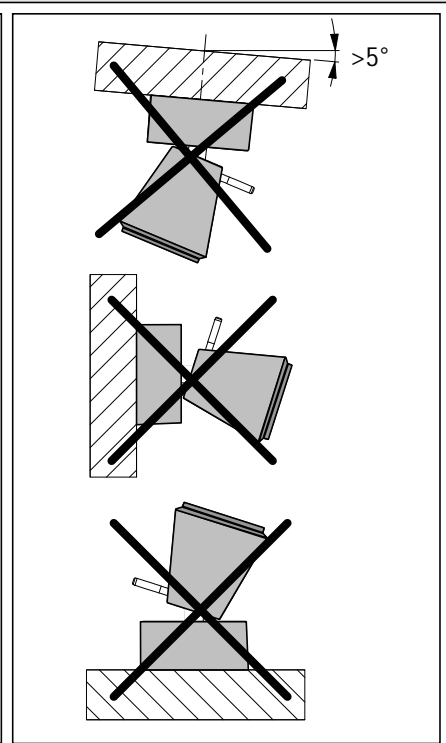
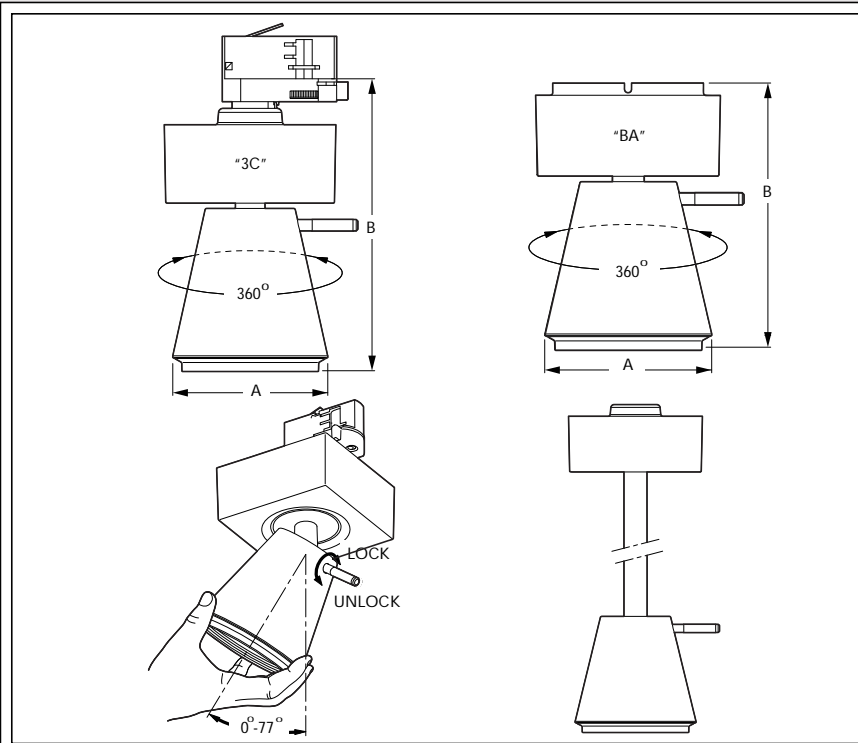
Unicone Projector

Installation Instruction 安装说明

MRS541 - M001a



M- L-	Lamp 光源	A Ø	B mm			
MRS541/ MCS541	CDM-Tm20-35W	95	179(3C)	✓	0.95	0.8
LRS541/ LCS541	HAL-MR16-50W		161(BA)		0.88	
MPK541	CDM-Tm20-35W		179(3C)	✓	0.9	
LPK541	HAL-MR16-50W		161(BA)		0.73	
MRS551/ MCS551	CDM-Tc35-70W	109	219(3C)	✓	1.17	
			198(BA)	✓	1.17	



Disconnect the unit before changing the lamp.
更换光源前要断开电源。



Hot! Do not change bulb or adjust lighting position until cooling down.
烫! 更换光源或调整灯具时, 务必在熄灯冷却后进行。



The luminaire shall be installed by a qualified electrician and wired in accordance with the latest IEE electrical regulations or the national requirements.
Class II luminaires should use a supplementary insulation or double insulation supply cable.
Luminaires provides with metal halide lamps: the luminaires shall only be used complete with its protective shield.
灯具应由有资格的电工安装, 接线要符合IEE电气标准或国家标准。
II类灯具请用附加绝缘或者双重绝缘电源线连接。
金卤灯灯具: 灯具应只能完整地带有保护屏使用。

