

PHILIPS

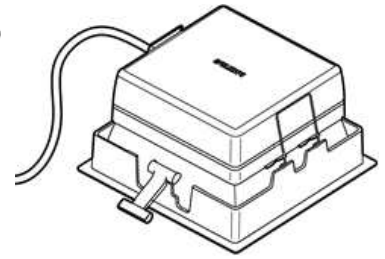
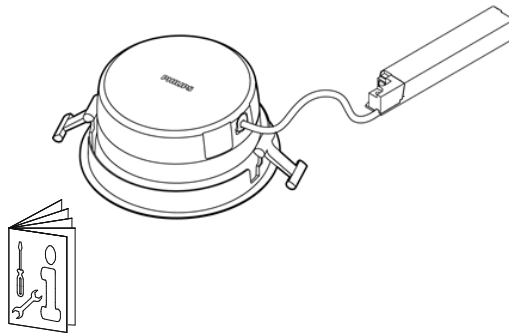
LUXSPACE2 PoE

DN560B/561B/570B/571B/572B




DN560B/561B
DN570B/571B

DN572B



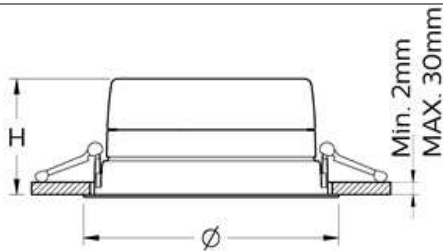
GLOW
WIRE
650 °C




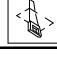
Model	Lumen package	Color Temperature [K]	 kg
DN560B	LED12S	830/840/927/930/940	0,7
DN561B	LED20S	830/840/927/930/940	0,7
DN570B	LED12S	830/840/927/930/940	1,17
DN571B	LED20S	830/840/927/930/940	1,17
DN572B	LED24S	830/840/927/930/940	1,17

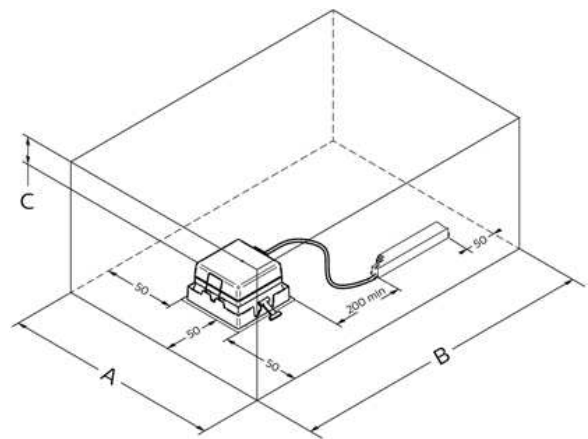
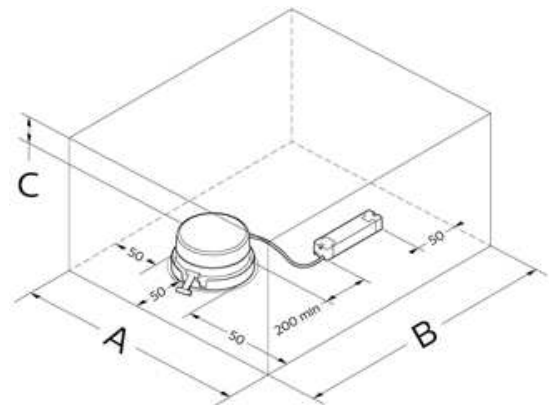
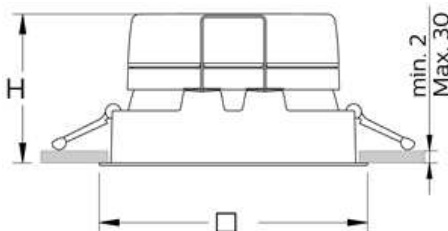


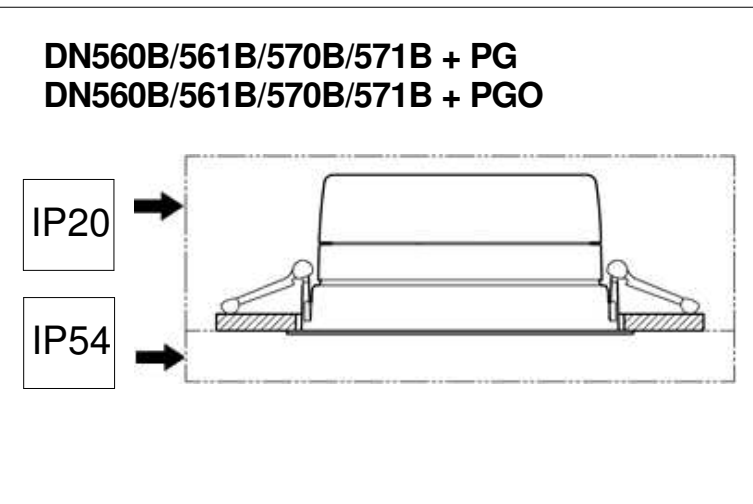
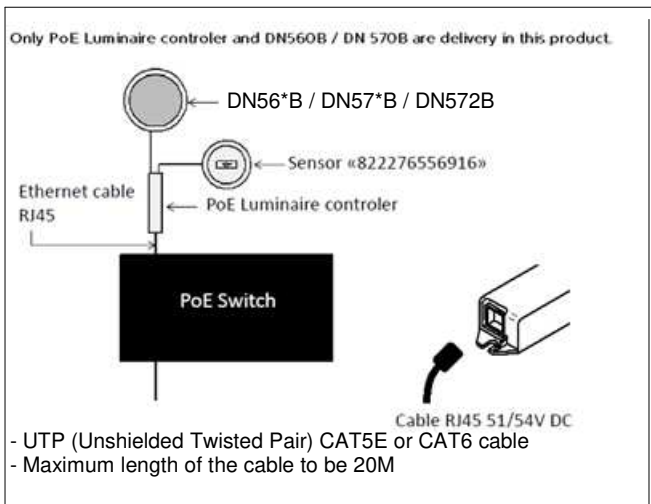
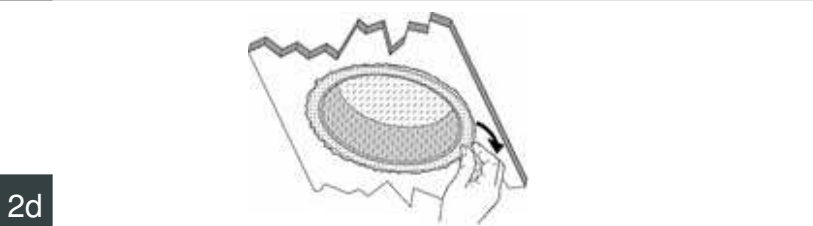
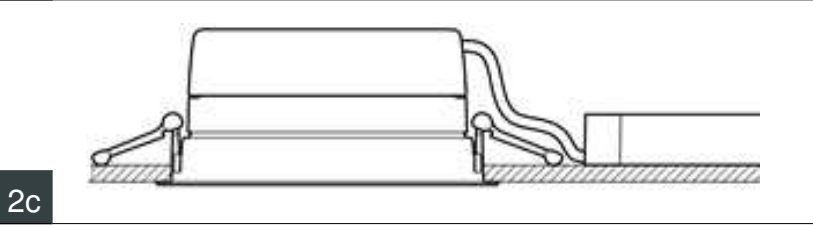
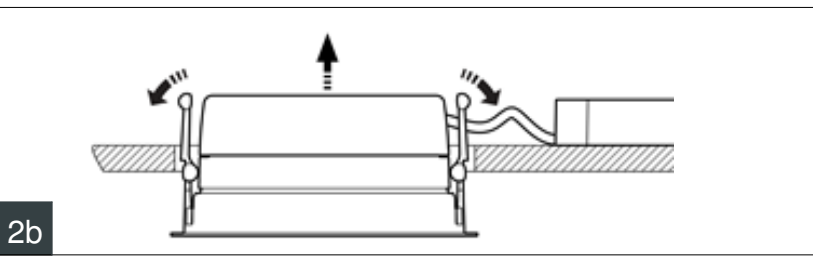
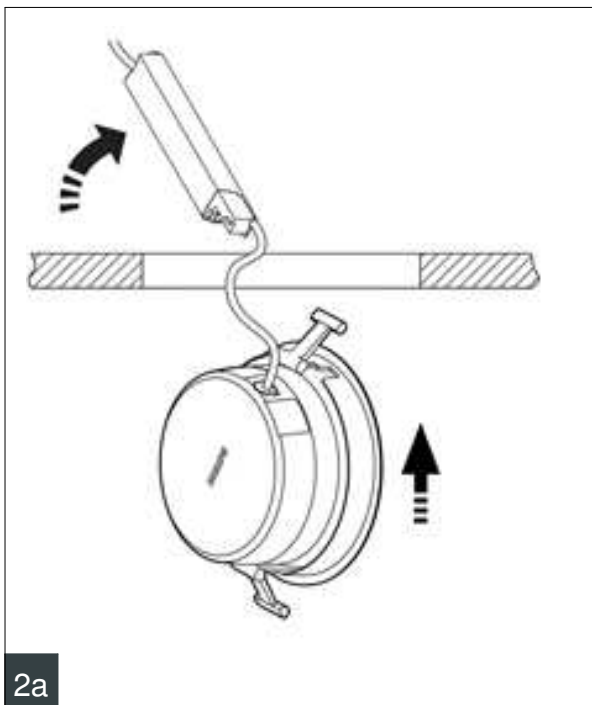
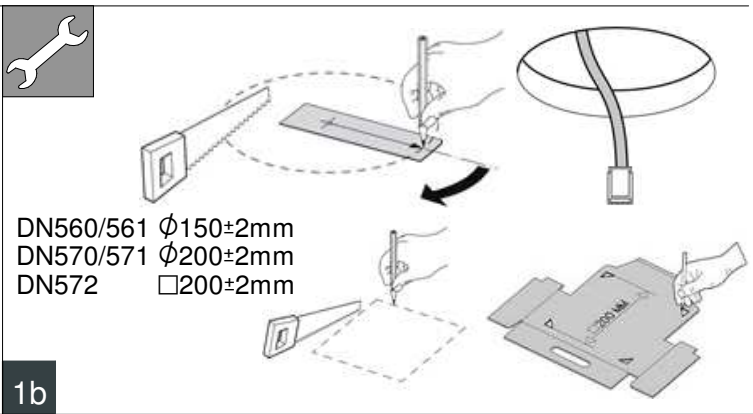
Product info



	H [mm]	Ø [mm]	 mm
DN560B	72	164	150
DN561B	86	164	150
DN570B	96,5	214	200
DN571B	119	214	200

	H [mm]	□	 mm
DN572B	119	214	200





⚠ The light source contained in this luminaire shall only be replaced by the manufacturer or his service agent or a similar qualified person

© 2018 Signify Holding. All rights reserved. This document contains information relating to the product portfolio of Signify which information may be subject to change. No representation or warranty as to the accuracy or completeness of the information included herein is given and any liability for any action in reliance thereon is disclaimed. The information presented in this document is not intended as any commercial offer and does not form part of any quotation or contract. Philips and the Philips Shield Emblem are registered trademarks of Koninklijke Philips N.V.. All other trademarks are owned by Signify Holding or their respective owners.

Signify Holding.
The Netherlands