

The Gardco SSS straight steel pole consists of a one-piece square fabricated steel lighting standard. The carbon steel base plate is secured to the shaft with a continuous circumferential weld providing excellent strength and integrity. The poles are finished with an electrostatically applied, thermally cured TGIC polyester powdercoat. All poles include anchor bolts, full base cover, hand hole, ground lug and top cap.

Project: _____
 Location: _____
 Cat.No: _____
 Type: _____
 Lamps: _____ Qty: _____
 Notes: _____

Ordering Guide

example: SSS52057D1PPFES

Prefix	Height	Size	Gauge	Drilling	Finish	Options
SSS	10'	4"	7	D1 1 Way	PP Prime Painted	FES Festoon Outlet AHH Additional Hand Hole <i>For Festoon Outlets and Additional Hand Holes, indicate height above base and orientation to original hand hole. See Pole Orientation Information on Page 4.</i> Couplings CL Coupling - Internal thread <i>Indicate size (1/2", 3/4", 1", 1 1/4", 1 1/2".) Indicate height above base and orientation to hand hole. See Pole Orientation Information on Page 4.</i> Single Mount Bullhorn Brackets GM-080-19 Single - 1.9" OD GM-080-24 Single - 2.4" OD <i>Indicate height above base and orientation to hand hole. See Pole Orientation Information on Page 4.</i> Motion Response Provisions GMR Provision for Gardco HID Motion Response System <i>Minimum Pole Height is 18'. Includes a 1/2" coupling placed 180° to the hand hole, 12' above the pole base.</i> MSM Motion Sensor Mounting Provision for LED Luminaires available with Motion Response <i>Minimum Pole Height is 18'. Includes a special hand hole with 1/2" coupling placed in the cover plate, 180° to the hand hole, 15' above the pole base.</i> Refer to Steel Pole Accessories sheet 79415-26 for additional accessories.
	12'		11	D2 2 Way	BRP Bronze Paint	
	14'		D3 3 Way	BLP Black Paint		
	15'		D4 4 Way	WP White Paint		
	18'		T2 2 3/8" OD Tenon	NP Natural		
	20'		T4 4"x6" OD Tenon	Aluminum Paint		
	24'		GV Galvanized (No Paint)			
	25'		FPGV Finished Paint over Galvanized (specify color)			
	30'		OC Optional Color Paint <i>Specify RAL designation ex: OC-RAL7024.</i>			
			SC Special Color Paint <i>Specify. Must supply color chip.</i>			

Enter the order code into the appropriate box above. Note: Gardco reserves the right to refuse a configuration. Not all combinations and configurations are valid. Refer to notes below for exclusions and limitations. For questions or concerns, please consult the factory.

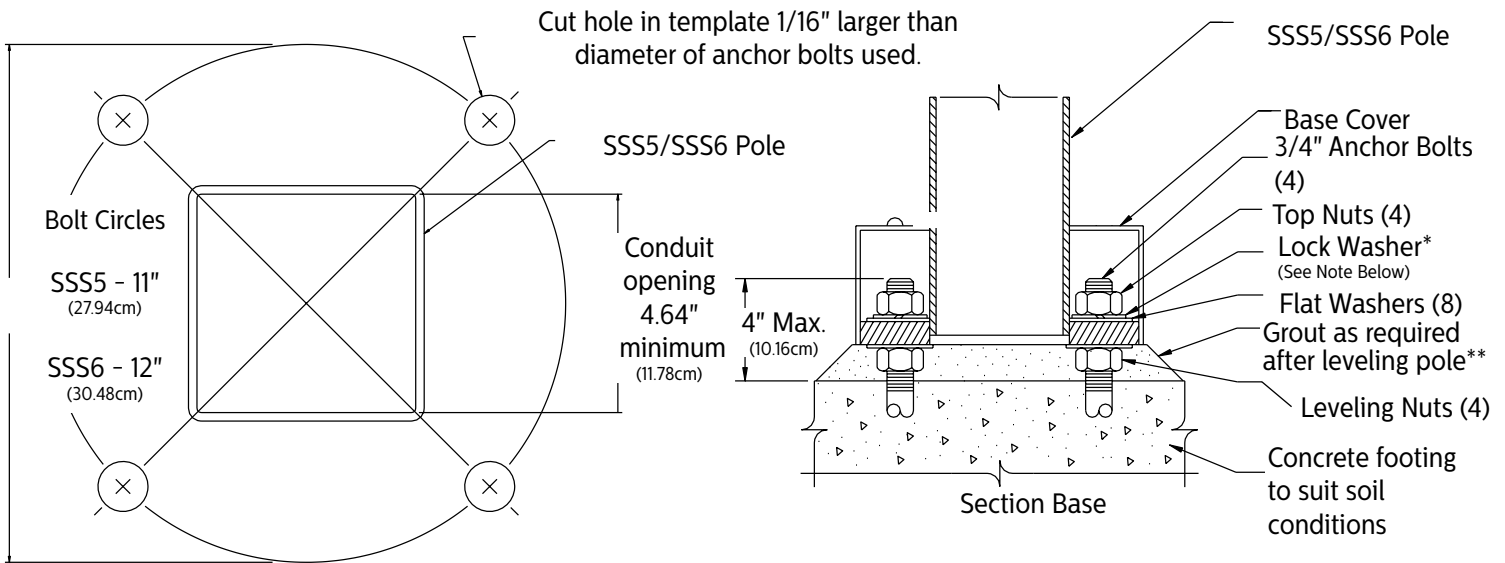
Poles 4" Straight Square Steel

Pole Data

Catalog Number		Pole Size		Maximum Luminaire Loading ¹									Anchor Bolt Data ²		
				High Wind Conditions				Normal Wind Conditions							
Prefix	Height (ft)	Pole Size (inches)	Gauge	130 MPH		120 MPH		110 MPH		100 MPH	90 MPH	80 MPH	Bolt Circle (inches)	Bolt Size (inches)	Max Proj. (inches)
				EPA ft ²	Max Weight (lbs)	EPA ft ²	Max Weight (lbs)	EPA ft ²	Max Weight (lbs)	EPA ft ²	EPA ft ²	EPA ft ²			
SSS	10	4	11	9.9	248	12.0	300	14.5	363	18.9	23.9	30.6	8.0"	3/4 x 17 x 3	4.0"
SSS	12	4	11	7.4	185	9.2	230	11.3	283	14.8	18.8	24.4	8.0"	3/4 x 17 x 3	4.0"
SSS	14	4	11	5.5	138	7.0	175	8.8	220	11.7	15.1	19.9	8.0"	3/4 x 17 x 3	4.0"
SSS	15	4	11	3.8	95	5.0	125	6.7	168	8.9	11.8	15.9	8.0"	3/4 x 17 x 3	4.0"
SSS	18	4	11	2.3	58	3.5	88	4.8	120	6.7	9.2	12.6	8.0"	3/4 x 17 x 3	4.0"
SSS	20	4	11	-	-	1.9	48	3.3	83	4.5	6.7	9.6	8.0"	3/4 x 17 x 3	4.0"
SSS	20	4	7	4.3	108	5.6	140	7.4	185	8.8	11.8	16.0	8.0"	3/4 x 17 x 3	4.0"
SSS	25	4	11	-	-	-	-	-	-	1.0	2.6	4.8	8.0"	3/4 x 17 x 3	4.0"
SSS	25	4	7	1.6	40	2.6	65	3.8	95	5.4	7.7	10.8	8.0"	3/4 x 17 x 3	4.0"
SSS	30	4	7	-	-	-	-	1.2	50	2.6	4.4	6.7	8.0"	3/4 x 17 x 3	4.0"

- Warning:** Additional wind loading, in terms of EPA, from banners, cameras, floodlights and other accessories attached to the pole, must be added to the luminaire(s) EPA before selecting the pole with the appropriate wind load capability.
- Factory supplied template must be used when setting anchor bolts. Gardco will not honor any claim for incorrect anchorage placement resulting from failure to use factory supplied templates.

Dimensions



* Anchor Bolt Lock Washers are not normally required and are not included in standard anchor bolt sets. They are available upon request at additional cost.

** Grouting should include a drainage slot or tube (by others) to permit water to drain from the base of the pole. Failure to provide drainage may weaken the pole base structure over time and may result in pole base failure, for which Gardco is not responsible.

NOTE: Factory supplied template must be used when setting anchor bolts.

Gardco will not honor any claim for incorrect anchorage placement from failure to use factory supplied templates.

Poles 4" Straight Square Steel

Specifications

POLE SHAFT

The pole shaft is fabricated from a single-piece of 11 ga (.1196") or 7 ga (.1793") commercial carbon steel. The formed steel plate is longitudinally welded providing minimum yield strength of 46 KSI.

ANCHOR BASE

The pole anchor base is fabricated from A-36 structural quality carbon steel with a minimum yield strength of 36 KSI. The base plate telescopes the pole shaft and is circumferentially welded on both top and bottom.

ANCHOR BOLTS

Anchor bolts are fabricated from a commercial quality hot rolled carbon steel bar that meets or exceeds a minimum guaranteed yield strength of 50,000 psi. Bolts have an "L" bend on one end and threaded on the opposite end. Anchor bolts are galvanized a minimum of 12" on the threaded end. Four (4) properly sized bolts, each furnished with two (2) regular hex nuts and two (2) flat washers, are provided per pole, unless otherwise specified.

BASE COVER

A two-piece base cover completely conceals the entire base plate and anchorage.

HAND HOLE

The reinforced hand hole has a nominal rectangular 2" X 4" inside opening in the pole shaft. Included is a cover plate with attachment screws. The hand hole is located 18" above the base and 180° clockwise with respect to the luminaire arm when viewed from the top of the pole for one arm. For two arms the hand hole is located directly under one arm.

POLE TOP CAP

Each pole assembly is provided with a removable pole top cap.

FINISH

Poles are available with a bronze, natural, white or black electrostatically applied, thermally cured TGIC polyester powdercoat finish.

STOCK POLES

Poles provided from stock under the Quick Ship program are drilled for four (4) luminaires at 90° with three (3) hole sets plugged.

General Pole Information

DESIGN

The poles as charted are designed to withstand dead loads and predicted dynamic loads developed by variable wind speeds with an additional 30% gust factor under the following conditions:

The charted weights include luminaire(s) and/or mounting bracket(s).

The wind velocities are based on 10 mph increments from 80 mph through 100 mph. Poles to be located in areas of known abnormal conditions may require special consideration. For example: coastal areas, airports and areas of special winds.

Poles are designed for ground mounted applications. Poles mounted on structures (such as buildings and bridges) may also necessitate special consideration requiring Gardco's recommendation.

Height correction factors and drag coefficients are applied to the entire structure. An appropriate safety factor is maintained based on the minimum yield strength of the material incorporated in the pole.

WARNING

This design information is intended as a general guideline only. The customer is solely

responsible for proper selection of pole, luminaire, accessory and foundation under the given site conditions and intended usage. The addition of any items to the pole, in addition to the luminaire, will dramatically impact the EPA load on that pole. It is strongly recommended that a qualified professional be consulted to analyze the loads given the user's specific needs to ensure proper selection of the pole, luminaire, accessories, and foundation. Gardco assumes no responsibility for such proper analysis or product selections. Failure to insure proper site analysis, pole selection, loads and installation can result in

pole failure, leading to serious injury or property damage.

GENERAL INFORMATION

Mounting height is the vertical distance from the base of the lighting pole to the center of the luminaire arm at the point of luminaire attachment. Twin arms as charted are oriented at 180° with respect to each other. For applications of two (2) arms at 90° or other multiple arm applications, consult the factory.

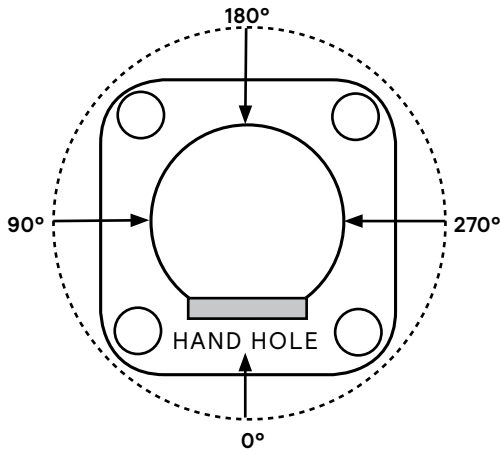
WARRANTY

Gardco poles feature a 1 year limited warranty. See Warranty Information on www.sitelighting.com for complete details and exclusions.

Poles 4" Straight Square Steel

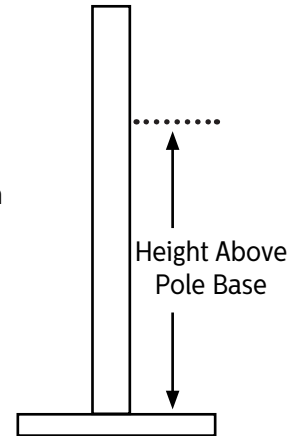
Orientation Information

Factory installed options and accessories



Orientation is measured clockwise from the Hand Hole Center.

For Factory Installed Options and Accessories, Specify Orientation from Hand Hole and Height Above Pole Base Where Required.



Standard arm mount luminaire orientation

