

# INSTALLATION INSTRUCTIONS

## G13/GL13 WALL MOUNT LUMINAIRE

### (RECESSED J-BOX OR CONDUIT STUB OUT)

**IMPORTANT:** Read all instructions before performing any work. Be sure *all power is off* prior to installing luminaires.

**WARNING:** Fixture must be grounded in accordance with appropriate codes. Failure to do so may result in serious injury.

**NOTE:** Wall mounting bracket is secured to wall with 5/16" bolts (by others). Structural members must be present in wall to accept bolts. See mounting "hole pattern" for bolt location.

1. Place mounting bracket over splice box (or conduit stub out). Secure to wall with 5/16" bolts (by others)(Fig. 1). Pull supply wires so that they extend approximately 10" from wall bracket.
2. Place luminaire with lens facing up on a non-scratching surface. Unlatch door and slowly open until stopped by safety cable. Remove and retain wing nut that secures safety cable. Disengage safety cable from threaded stud and pull free from ballast clamp. Open door further until hinge clamp lock is accessible. Rotate hinge clamp lock to free hinge clamp(Fig.2). Carefully rotate door toward the closed position until hinge disengages.
3. Place luminaire mounting surface against canopy so that the mounting holes align. Secure to luminaire using the 5/16" bolts and star lock washers supplied(Fig. 3). Tighten bolts to 15ft-lbs.
4. Route supply wires through back of canopy and into luminaire. Engage the top angled flap of the mounting bracket to the top edge of the canopy. Allow canopy to rest against the wall. Tighten the two 1/4-20X1" setscrews(Fig.4).
5. Make sure luminaire is grounded in accordance with the applicable codes. Make electrical connections. Place splices and excess wire in canopy which serves as a splice compartment.  
Note: This compartment's volume is 26 cubic in.

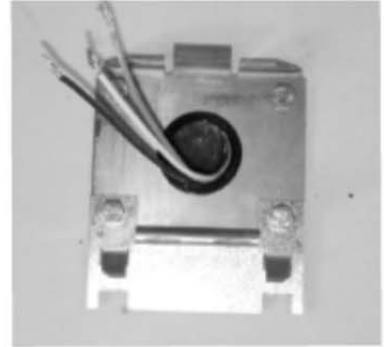


Fig. 1



Fig. 2



Fig. 3

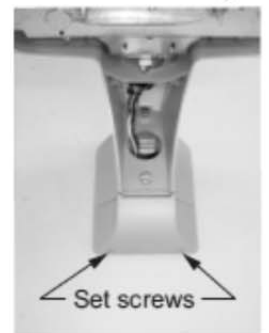


Fig. 4

# INSTALLATION INSTRUCTIONS

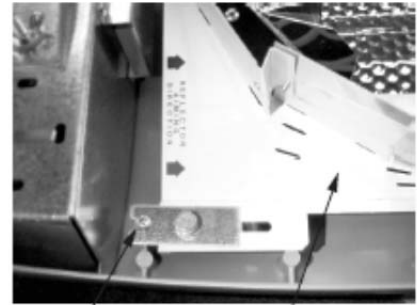
## G13/GL13 WALL MOUNT LUMINAIRE

### (RECESSED J-BOX OR CONDUIT STUB OUT)

6. Aiming arrow on reflector must match aiming direction on site plan(Fig.5). If reflector rotation is required see the following instructions:

For HID units: Loosen the four 8-32 phillips pan head screws that hold the reflector to the housing. Loosen the two thumbscrews and slide latches to disengage. Remove reflector, reposition as desired and re-install.

For LED units: Remove four #8 screws and matte surrounding LED board. Remove four #8 screws holding heatsink/light engine assembly and rotate as desired. Secure heatsink/light engine assembly with screws previously removed. Reinstall matte with four screws previously removed.



Reflector  
Loosen these screws in 4 places Fig. 5

7. Install lamp (where applicable). Make sure the lamp type and wattage are as indicated on the product identification label on the reflector. Clear lamp required for optimum photometric performance.

8. Re-install door by engaging the hinge end with the door in the almost closed position. Swing door open and lock the hinge clamp by returning the hinge clamp lock to its original position. Re-install safety cable through ballast clamp and onto stud. Re-install wing nut and tighten. Close door making sure latch is fully engaged.

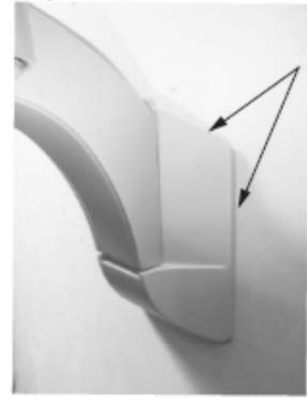
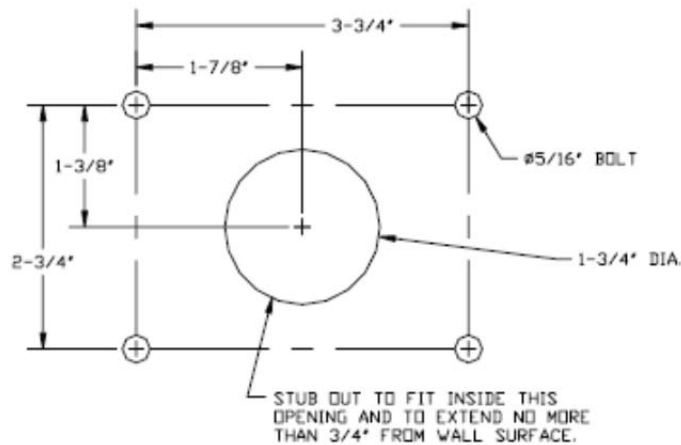


Fig. 6

9. Apply a bead of sealant on sides and top of canopy where canopy contacts with the wall(Fig.6).



### MOUNTING HOLE PATTERN



© 2016 Philips Lighting Holding B.V. All rights reserved.  
www.philips.com/luminaires

443561007910/A817150 Rev. C  
Page 2 of 2

Philips Lighting North America  
Corporation  
200 Franklin Square Drive,  
Somerset, NJ 08873, USA

Philips Lighting Canada Ltd.  
281 Hillmount Road,  
Markham, ON, Canada L6C 2S3