

INSTALLATION INSTRUCTIONS

Tableau™
Model: TAB

CAUTION: THE INSTALLATION AND SERVICING OF THIS PRODUCT SHOULD BE PERFORMED BY A QUALIFIED ELECTRICIAN OR SERVICE PERSONNEL
ATTENTION : L'INSTALLATION ET L'ENTRETIEN DE CE PRODUIT DOIVENT ÊTRE EFFECTUÉS PAR UN ÉLECTRICIEN OU UN MEMBRE DU PERSONNEL QUALIFIÉ.

CAUTION! – READ THIS FIRST --- IMPORTANT SAFETY INSTRUCTIONS

- ⚠ WARNING: FIXTURES MUST BE INSTALLED BY A QUALIFIED ELECTRICIAN IN ACCORDANCE WITH ALL NATIONAL, STATE AND LOCAL BUILDING, ELECTRICAL AND SAFETY CODES AND REGULATIONS.
- ⚠ WARNING: DO NOT ATTEMPT TO INSTALL OR USE A FIXTURE UNTIL YOU READ AND UNDERSTAND THE INSTALLATION INSTRUCTIONS AND SAFETY LABELS.
- ⚠ WARNING: DO NOT USE A FIXTURE IF THE LENS, HOUSING, OR POWER CABLES ARE DAMAGED.
- ⚠ WARNING: FIXTURES HAVE LINE VOLTAGE RISK OF SHOCK AND NO USER SERVICEABLE PARTS. DO NOT ATTEMPT TO OPEN THEM.
- ⚠ WARNING: THE FIXTURE MUST BE CONNECTED TO A 3-WIRE SOURCE OF SUPPLY (HOT, NEUTRAL AND GROUND). ENSURE THAT MAIN POWER SUPPLY IS OFF BEFORE INSTALLING OR WIRING A FIXTURE.

A. INSTALLATION

1. Refer to Figure 1, and remove the two screws from the top of the fixture that hold the rear backplate. Retain screws for later use. Remove the rear backplate from the fixture.
2. Use the backplate as a template. Ensure that the backplate is level and in the correct location. Mark two holes for mounting and one hole for the conduit.
3. Drill a 1-inch hole in the wall for the conduit, and extend flexible conduit through hole.
4. Drill two mounting holes and, if necessary, insert appropriate anchors.
5. Attach a standard fitting to the hole in the backplate, and tighten securely with the hex nut. Tighten the FMC, MC or Romex to the fitting with the two screws.
6. Mount the rear backplate securely to the wall.

WARNING: BE CERTAIN THAT POWER IS TURNED OFF BEFORE CONNECTING FIXTURE TO SUPPLY LINES. LIVE WIRES PRESENT A POTENTIAL SHOCK HAZARD.

WARNING: Tableau fixtures are internally wired at the factory. Be sure that all connections are secure. Be sure that wirenuts are tight and no strands of wire are exposed.

8. Connect the black wire from the quick disconnect plug to the "neutral" supply wire (usually white). Secure with wirenuts.
9. Connect the supply "ground" to the nut provided on the rear bracket.

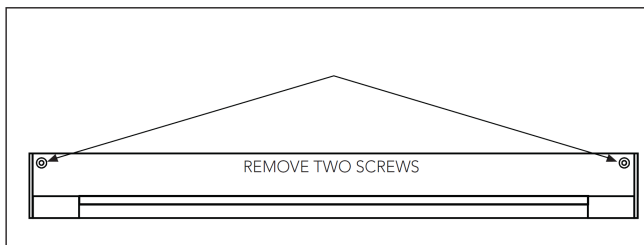


Figure 1

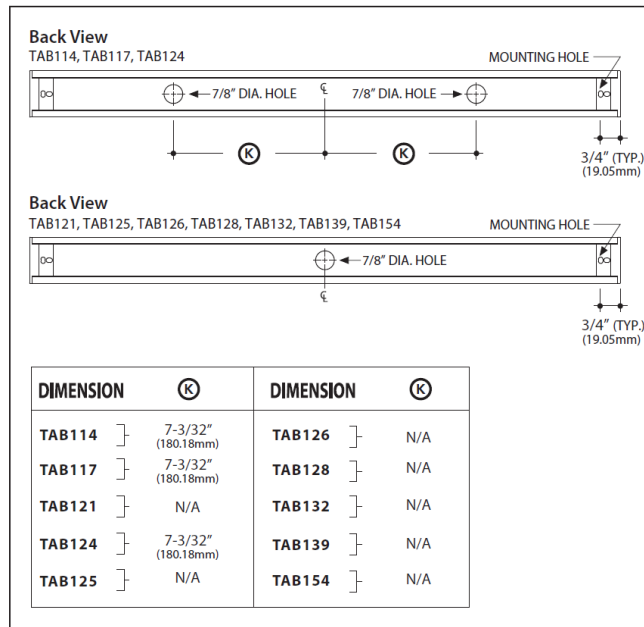


Figure 2

CAUTION: Electrical luminaires are designed for permanent installation in ordinary (Non-Hazardous) locations in accordance with the National Electrical Code and all applicable local codes. Do not use in areas of limited ventilation or in high ambient enclosures. The lamp and luminaire operate at high temperatures, contact with combustible materials can cause fire and personal contact can cause severe burns.

ATTENTION: Ce luminaire a été conçu pour une installation permanente dans un emplacement régulier (non dangereux) et en conformité avec le Code électrique canadien et codes locaux applicables. Ne jamais installer dans un endroit où la ventilation est limitée ou dans des boîtiers où la température ambiante est très élevée. La lampe et le luminaire fonctionnent à des températures élevées, un contact avec des matériaux combustibles peut engendrer un incendie et un contact corporel peut causer de sévères brûlures.

443580001260 JUNE, 2013

PHILIPS

Philips Lighting North America Corporation
200 Franklin Square Drive
Somerset, NJ 08873, USA
Phone: 855-486-2216
philips.com/luminaires

Philips Lighting Canada Ltd.
281 Hillmount Road
Markham ON, Canada L6C 2S3
Phone: 800-668-9008
philips.com/luminaires

INSTALLATION INSTRUCTIONS

Tableau™ Model: TAB

CAUTION: THE INSTALLATION AND SERVICING OF THIS PRODUCT SHOULD BE PERFORMED BY A QUALIFIED ELECTRICIAN OR SERVICE PERSONNEL
ATTENTION : L'INSTALLATION ET L'ENTRETIEN DE CE PRODUIT DOIVENT ÊTRE EFFECTUÉS PAR UN ÉLECTRICIEN OU UN MEMBRE DU PERSONNEL QUALIFIÉ.

10. Ensure that the fixture is oriented as shown in Figure 3, and snap the fixture on to the rear bracket.
11. Align the fixture so the two holes line up with the tapped holes in the rear bracket. Reinstall the screws removed in step 1.
12. Apply power to the fixture.

B. REPLACING THE LAMP

1. Refer to the Replacement Lamp Chart below and select the correct lamp.
2. Rotate the lamp housing so that both long edges of the diffuser are visible.
3. Firmly squeeze the diffuser near one end to separate the long edges from the lamp housing. Remove the diffuser.

NOTE: The lampholders are spring-loaded. The springs must be compressed to remove and install lamps.

4. Carefully slide the fluorescent lamp toward one of the lamp holders until the pins are released from the other lampholder. Remove the lamp.
5. Align the pins of the replacement lamp with slots in one of the lampholders. Compress the spring in that lampholder in order to insert the lamp in the other lamp holder. Rotate the lamp until it is firmly seated.
6. Replace the diffuser.

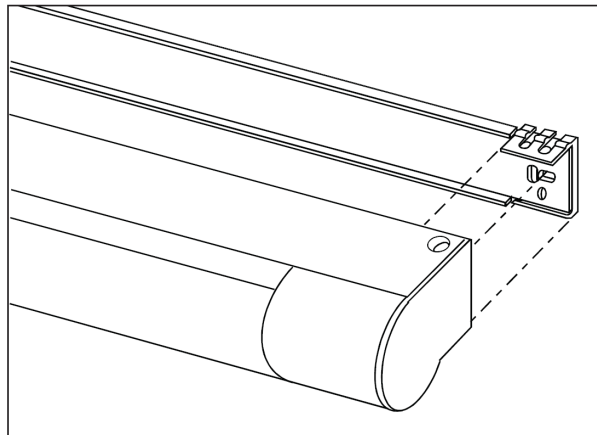


Figure 3

Model Number	Replacement Lamp
TAB114	F14T5
TAB117	F17T8
TAB121	F21T5
TAB124	F24T5HO
TAB125	F25T8
TAB126	F26DTT
TAB128	F28T5
TAB132	F32T8
TAB139	F39T5HO
TAB154	F54T5HO

CAUTION: Electrical luminaires are designed for permanent installation in ordinary (Non-Hazardous) locations in accordance with the National Electrical Code and all applicable local codes. Do not use in areas of limited ventilation or in high ambient enclosures. The lamp and luminaire operate at high temperatures, contact with combustible materials can cause fire and personal contact can cause severe burns.

ATTENTION: Ce luminaire a été conçu pour une installation permanente dans un emplacement régulier (non dangereux) et en conformité avec le Code électrique canadien et codes locaux applicables. Ne jamais installer dans un endroit où la ventilation est limitée ou dans des boîtiers où la température ambiante est très élevée. La lampe et le luminaire fonctionnent à des températures élevées, un contact avec des matériaux combustibles peut engendrer un incendie et un contact corporel peut causer de sévères brûlures.

PHILIPS

Philips Lighting North
America Corporation
200 Franklin Square Drive
Somerset, NJ 08873, USA
Phone: 855-486-2216
philips.com/luminaires

Philips Lighting Canada Ltd.
281 Hillmount Road
Markham ON, Canada L6C 2S3
Phone: 800-668-9008
philips.com/luminaires

443580001260 JUNE, 2013

PAGE 2 OF 2