

Day-Brite

CFI

by  Signify

Recessed

Arioso air perf 2x4

T5, T5HO, or T8



Project: _____
 Location: _____
 Cat.No: _____
 Type: _____
 Lamps: _____ Qty: _____
 Notes: _____

The Day-Brite / CFI Arioso recessed air perf offers air handling capabilities along with all the benefits of the standard Arioso. Through integrated side slots, this luminaire incorporates the air handling feature without disturbing the simple clean lines and soft natural illumination that is the foundation of the Arioso recessed family.

Ordering guide

Example: 2AVGA232-PMW-UNV-1/2-EBLHE-LPT835HL

Width	Family	Ceiling Type	Air Function	No. of Lamps (not included)	Lamp Type	Shielding	Voltage	Options
2	AV	G	A		—	PMW —	—	
2 2'	AV Arioso recessed perf	G Grid	A Air handling	2 3	28 28WT5 (46") 32 32WT8 (48") 54HO 54WT5HO (46")	PMW Perforated metal w/ white overlay	120 277 347 UNV Universal Voltage 120-277V	1/2 One 2-lamp ballast 1/3 One 3-lamp ballast 1/21 2-lamp & 1-lamp ballasts EB Electronic ballast, <10% THD, std. ballast factor EB10R T8 electronic ballast, program rapid start, <10% THD EBHE T8 electronic ballast, high efficiency, std. ballast factor EBLHE T8 electronic ballast, high efficiency, low ballast factor EBHHE T8 electronic ballast, high efficiency, high ballast factor EBSD T8 electronic step dimming ballast, .88 ballast factor EBD7 Advance Mark 7 dimming ballast, 0-10V (low voltage) control EBDX Advance Mark 10 dimming ballast, phase control EBD Electronic dimming ballast, customer specified E1 B100 emerg. ballast, T8, 350-450 lumens, 120/277V E1CAN B100-CAN emerg. ballast, Canada market, T8, 350-450 lumens, 120/347V E7 B60 emerg. ballast, T8, 600-700 lumens, 120/277V E5 B50 emerg. ballast, U.S. or Canada market, T8, 1100-1400 lumens, UNV ESCAN B50-CAN emerg. ballast, Canada market, T8, 1100-1400 lumens, 120/347V E5ST B50ST emerg. ballast w/self test, T8, 1100-1400 lumens, UNV E7LP LP550 emerg. ballast T5/T5HO, 430-700 lumens, 120/277V E6LP LP600 emerg. ballast U.S. or Canada market, T5/T5HO, 750-1325 lumens, 120/277V F1 3/8" flex 3 wire, 18 gauge 6' F2 3/8" flex 4 wire, 18 gauge 6' F2/SW 3/8" flex, 5 wire 18 gauge 6' GLR Fusing, fast blow LPT830 Installed T8/T5/T5HO lamps, 80+ CRI, 3000K LPT835 Installed T8/T5/T5HO lamps, 80+ CRI, 3500K LPT841 Installed T8/T5/T5HO lamps, 80+ CRI, 4100K LPT830HL Installed T8/T5 high lumen lamps, 80+ CRI, 3000K LPT835HL Installed T8/T5 high lumen lamps, 80+ CRI, 3500K LPT841HL Installed T8/T5 high lumen lamps, 80+ CRI, 4100K

Accessories (order separately)

- AVHD Hold down clips
- AV-DC4 Debris cover 2'x4'
- FMA24 2'x4' "F" mounting frame for NEMA "F" mounting



2AVGA Arioso recessed air perf 2x4

T5, T5HO or T8

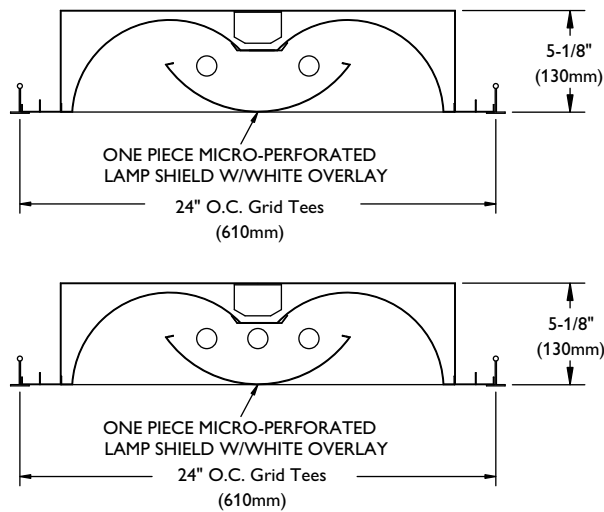
Application

- Architectural air handling recessed direct/indirect lighting for glare free illumination.
- Air return through side slots.
- Suitable for grid inverted T (NEMA "G") ceilings. Flange type ceilings (NEMA "F") require independently mounted flange kits (FMA).
- Fully recessed mounting, suitable for row mounting.

Construction/Finish

- Top reflector and end panels are formed together with no gaps.
- No visible welding, screws, latches, springs, hooks, rivets or plastic supports.
- Soft white baked enamel finish.
- Easy ballast access through lamp compartment.
- Optional hold down clips available (order separately: cat # AVHD).

Dimensions

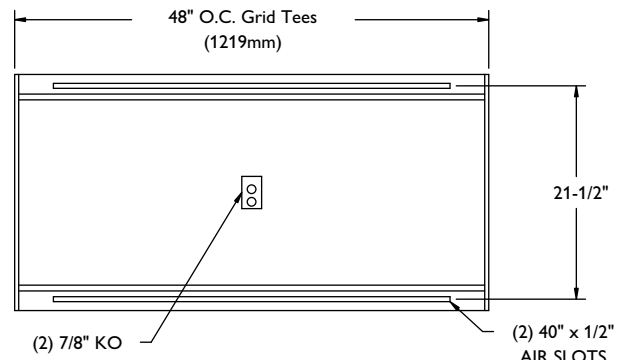


Electrical

- cULus listed for damp locations.
- Self-contained fluorescent emergency power pack can be incorporated.

Enclosure

- Micro-perforated mesh lamp shield provides soft awareness of light source.
- Soft white overlay on inside of micro-perforated mesh conceals lamp image and balances between reflected and direct light.
- Swing down lamp shield for easy relamping.
- Drop out basket will fall out in fire situation before flames reach the luminaire.
- Lamp shield end trim is included for field installation if desired (not required).



Some luminaires use fluorescent or high intensity discharge (HID) lamps that contain small amounts of mercury. Such lamps are labeled, "Contain Mercury" and/or the symbol "HG". Lamps that contain mercury must be disposed of in accordance with local requirements. Information regarding lamp recycling and disposal can be found at www.lamprecycle.org

2AVGA Arioso recessed air perf 2x4

T5, T5HO or T8

Photometry

Arioso recessed air perf 2x4 2 lamp T8

Efficiency – 57.8%

LER – 50

TER – 43

Catalog No. 2AVGA232-PMW-1/2-EB Test No. 24697 S/MH 1.3 Lamp Type F32T8 Lumens/Lamp 2850 Ballast Factor .88 Input Watts 58 Comparative yearly lighting energy cost per 1000 lumens – \$4.80 based on 3000 hrs. and \$.08 pwr KWH. The photometric results were obtained in the Day-Brite laboratory which is NVLAP accredited by the National Institute of Standards and Technology.	Candlepower				Light Distribution				Average Luminance							
	Angle	End	45	Cross	Degrees	Lumens	% Lamp	% Luminaire	Angle	End	45°	Cross				
	0	1163	1163	1163	0-30	911	16.0	27.6	45	1820	1955	1984				
	5	1167	1162	1149	0-40	1502	26.4	45.6	55	1716	1900	1782				
	10	1149	1148	1139	0-60	2667	46.8	80.9	65	1609	1605	1235				
	15	1120	1125	1122	0-90	3296	57.8	100.00	75	1439	1025	1071				
	20	1083	1093	1096					85	1053	897	819				
	25	1039	1056	1064	Coefficients of Utilization											
	30	980	1003	1025	EFFECTIVE FLOOR CAVITY REFLECTANCE 20 PER (pfc=0.20)											
	35	910	947	969	pcc	80			70			50				
40	838	883	906	pw	70	50	30	70	50	30	50	30				
45	757	813	825	RCR												
50	674	735	727	0	68	68	68	67	67	67	64	64				
55	579	641	601	1	63	59	57	60	58	56	56	55				
60	488	528	452	2	56	53	48	56	52	47	50	46				
65	400	399	307	3	52	46	41	51	45	40	44	40				
70	310	252	234	4	47	40	35	46	40	35	39	34				
75	219	156	163	5	44	36	32	42	35	30	34	30				
80	132	97	98	6	40	33	28	40	32	28	30	27				
85	54	46	42	7	38	29	25	36	28	25	28	23				
				8	34	27	22	34	27	22	26	22				
				9	33	25	20	32	25	20	23	20				
				10	30	23	19	29	23	17	22	17				

Arioso recessed air perf 2x4 3 lamp T8

Efficiency – 56.4%

LER – 52

TER – 45

Catalog No. 2AVGA332-PMW-1/3-EB Test No. 24696 S/MH 1.3 Lamp Type F32T8 Lumens/Lamp 2850 Ballast Factor .88 Input Watts 81 Comparative yearly lighting energy cost per 1000 lumens – \$4.62 based on 3000 hrs. and \$.08 pwr KWH. The photometric results were obtained in the Day-Brite laboratory which is NVLAP accredited by the National Institute of Standards and Technology.	Candlepower				Light Distribution				Average Luminance							
	Angle	End	45	Cross	Degrees	Lumens	% Lamp	% Luminaire	Angle	End	45°	Cross				
	0	1735	1735	1735	0-30	1353	15.8	28.0	45	2695	2859	2864				
	5	1739	1728	1714	0-40	2224	26.0	46.1	55	2534	2724	2546				
	10	1711	1705	1695	0-60	3921	45.9	81.2	65	2350	2293	1766				
	15	1670	1669	1667	0-90	4829	56.5	100.0	75	2109	1485	1577				
	20	1614	1621	1628					85	1600	1268	1190				
	25	1543	1561	1579	Coefficients of Utilization											
	30	1454	1487	1513	EFFECTIVE FLOOR CAVITY REFLECTANCE 20 PER (pfc=0.20)											
	35	1354	1397	1426	pcc	80			70			50				
40	1242	1299	1320	pw	70	50	30	70	50	30	50	30				
45	1121	1189	1191	RCR												
50	991	1065	1042	0	67	67	67	66	66	66	63	63				
55	855	919	859	1	61	58	56	59	57	56	55	54				
60	719	755	645	2	56	52	47	55	51	46	48	46				
65	584	570	439	3	51	45	40	50	44	40	42	39				
70	453	361	338	4	46	40	34	46	39	34	38	34				
75	321	226	240	5	42	35	30	41	34	30	34	29				
80	192	141	145	6	40	32	27	39	32	27	30	27				
85	82	65	61	7	36	28	23	35	28	23	28	23				
				8	34	27	22	34	26	22	26	20				
				9	32	25	20	30	23	20	23	20				
				10	29	23	17	28	22	17	22	17				

