

# PHILIPS LIGHTOLIER

Track

LightFlood LED

LLF4, 4000lm



Project: \_\_\_\_\_  
 Location: \_\_\_\_\_  
 Cat.No: \_\_\_\_\_  
 Type: \_\_\_\_\_  
 Lamps: \_\_\_\_\_ Qty: \_\_\_\_\_  
 Notes: \_\_\_\_\_

A high performing LightFlood LED for use with Radius, Basic and Advent Track.

## Ordering guide

Series	Lumens	CCT	Finish	Mounting?
<input type="checkbox"/>	<input type="checkbox"/>	<input type="checkbox"/>	<input type="checkbox"/>	
LLF LightFlood LED	4 4000lm	27 2700K 30 3000K 40 4000K	WH White BK Black AL Aluminum	For use with Radius, Basic and Advent track. For monopoint applications refer to specification sheet <b>6170</b> and <b>6190</b> (will require two monopoints).

1. Consult with factory
2. Not compatible with extension wands, multipoint, ProSpec track, clamp-on monopoint or sloped ceiling adapter.

## Accessories

Series	Finish	Description
<input type="checkbox"/>	<input type="checkbox"/>	
LLF2LV Louver	BK Black	The Louver is designed to provide additional light shielding and reduce lamp glare when needed.
LLF2VS Visor	WH White BK Black AL Aluminum	The Visor is designed with interior reflector to direct light toward surface to create a washing effect.

## Features

1. **Track attachment fitting:** For mechanical/electrical connection.
2. **Brass contact:** Extends for connection to second circuit (Advent track only).
3. **Vertical pivot:** 0-90° vertical adjustment.
4. **LED board:** For efficient thermal management. MC PCB with vias.
5. **Optical assembly:** Reflector and diffuser.
6. **Light source:** 20 LEDs.
7. **Housing:** Die cast aluminum end plates and extruded aluminum heat sink perform as housing for light engine and driver.
8. **Cover lens:** Diffuser prevents dust and other contaminants from entering Reflector and LED surfaces.
9. **Accessory groove:** Integrated groove in housing allows accessories to be installed directly to housing. Accessories sold separately.

## Accessories

**Accepts one of the following:**  
 Louver - LLF2LV (BK only)  
 Visor - LLF2VS (AL, BK, WH)  
 Contact factory for competitor adaptor options.

## Electrical

**Input voltage:** 120V  
**Input frequency:** 50/60 Hz  
**Nominal input power:** 46W  
**Efficacy:** Approximately 95 lm/w  
**Power factor:** > .90  
**Lumen maintenance:**  
 >70% of initial lumens @ 50,000 hrs  
**Photometric performance:**  
 Tested in accordance to LM79

## Dimming

**ELV and Triac dimming compatible**  
 Philips Sunrise SR400RPC120 2.35%  
 Lutron Diva DVELV 1.97%  
 Lutron Skylark SELV-300P 1.60%  
 Lutron Skylark S-600P 0.02%

## Finish

All painted finishes are powder coated.

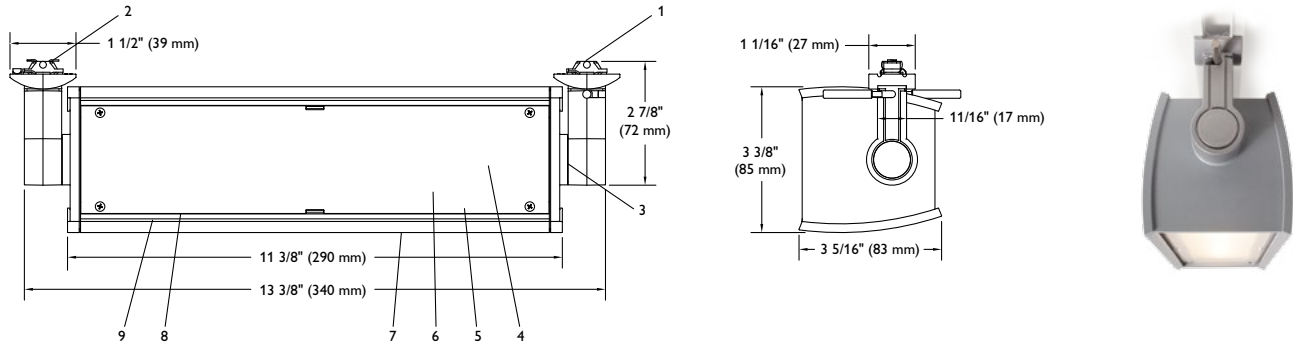
## Labels

5 year warranty.

# LLF4 LightFlood LED

4000 lm track lighting

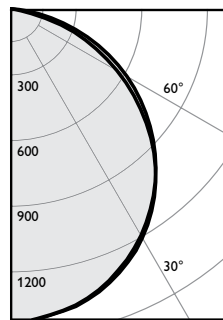
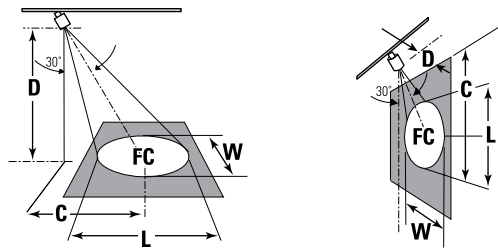
## Dimensions



## Aiming angles

L and W are the outer points where the candle power drops to 50% of the maximum. FC are the initial footcandles at the center of the beam. Data shown is for 3000K, for 2700K multiply FC by 0.91.

- L Beam length
- D Distance
- W Beam Width
- A Aiming Angle
- FC Footcandles
- C Distance to center beam



### Fixture: LLF430WH

CCT<sup>1</sup>: 3000K  
 Output lumens: 3931 lms  
 Input watts<sup>2</sup>: 45 W  
 Efficacy: 87.4 lm/w  
 CRI: 80 min  
 CBCP<sup>3</sup>: 1,434 cd  
 Beam Angle: 111°  
 Field Angle: 160°  
 Report no<sup>3</sup>: 816GFR

### Flood

#### 30° Horizontal Aiming

Distance	Beam			
	D	C	F.C.	W
6	3.5	26	79.1	20.2
8	4.6	15	105.5	26.9
10	5.8	9	131.8	33.6
12	6.9	6	158.2	40.3

#### 30° Horizontal Aiming

Distance	Beam			
	D	C	F.C.	W
2	3.5	45	?	11.6
3	5.2	20	?	17.5
4	6.9	11	?	23.3
5	8.7	7	?	29.1

1. Correlated Color Temperature within specs as defined in ANSI\_NEMA\_ANSI C78.377-2008: Specifications for the Chromaticity of Solid State Lighting Products.  
 2. Wattage controlled to within +/- 5%.  
 3. Tested using absolute photometry as specified in LM79: IESNA Approved Method for the Electrical and Photometric Measurements of Solid-State Lighting Products.

© 2015 Koninklijke Philips N.V. All rights reserved.  
 Philips reserves the right to make changes in specifications and/or to discontinue any product at any time without notice or obligation and will not be liable for any consequences resulting from the use of this publication.  
[philips.com/luminaires](http://philips.com/luminaires)



Philips Lighting, North America Corporation  
 200 Franklin Square Drive, Somerset, NJ 08873  
 Tel. 855-486-2216

Imported by: Philips Lighting,  
 A division of Philips Electronics Ltd.  
 281 Hillmount Rd, Markham, ON, Canada L6C 2S3  
 Tel. 800-668-9008