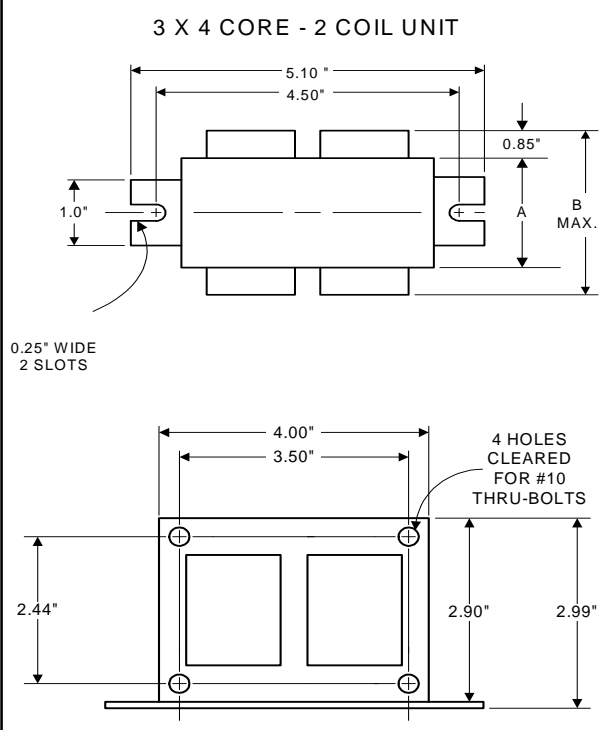


PHILIPS ADVANCE

Metal
Halide
Lamp Ballast

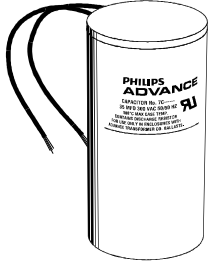
Catalog Number 71A5292
For 70W M98/M143
60 Hz HX-HPF
Status: Active

DIMENSIONS AND DATA

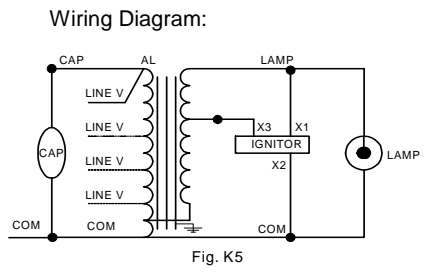


	120	208	240	277
INPUT VOLTS				
CIRCUIT TYPE	HX-HPF			
POWER FACTOR (min)	90%			
REGULATION				
Line Volts	±5%			
Lamp Watts	±7%			
LINE CURRENT (Amps)				
Operating.....	0.85	0.49	0.42	0.37
Open Circuit.....	1.66	0.97	0.83	0.73
Starting.....	0.71	0.41	0.40	0.30
UL TEMPERATURE RATINGS				
Insulation Class	H(180°C)			
Coil Temperature Code	1029			
MIN. AMBIENT STARTING TEMP.	-20°F or -30°C			
NOM. OPEN CIRCUIT VOLTAGE	255			
INPUT VOLTAGE AT LAMP DROPOUT.....	90	156	180	208
INPUT WATTS	92			
RECOMMENDED FUSE (Amps).....	4	3	2	2
CORE and COIL				
Dimension (A)	1.44			
Dimension (B)	2.88			
Weight (lbs.)	5			
Lead Lengths	12"			
CAPACITOR REQUIREMENT				
Microfarads	8.0			
Volts (min.)	280			
Fault Current Withstand (amps)				
60 Hz TEST PROCEDURES (Refer to Advance Test Procedure for HID Ballasts - Form 1270)				
High Potential Test (Volts)				
1 minute	2000			
2 seconds	2500			
Open Circuit Voltage Test (Volts)	230-280			
Short-Circuit Current Test (Amps)				
Secondary Current	1.03-1.26			
Input Current.....	0.65-0.98	0.40-0.60	0.32-0.49	0.29-0.44

Capacitor: 7C080L30RA



Capacitance: 8
Dia/Oval Dim: 1.25
Height: 2.75
Temp Rating: 105°C



Ordering Information

Ignitor: LI533-H4

Red (X1)
White (X2)
Blue (X3)

Ballast to Lamp Distance (BTL) = 15 feet
Temp Rating: 105°C

Order Suffix	Description

Data is based upon tests performed by Philips Lighting Electronic N.A. in a controlled environment and representative of relative performance. Actual performance can vary depending on operating conditions. Specifications are subject to change without notice.