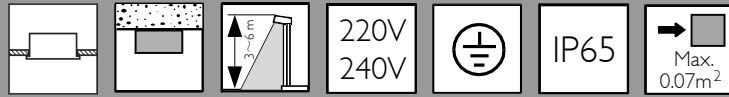


LED Lowbay Mini500 GII

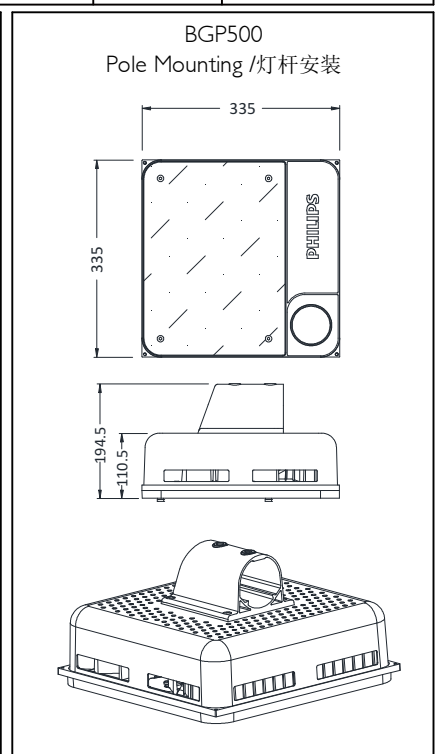
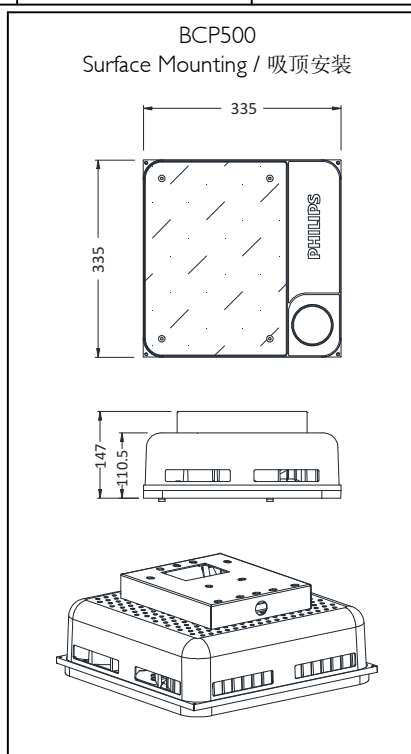
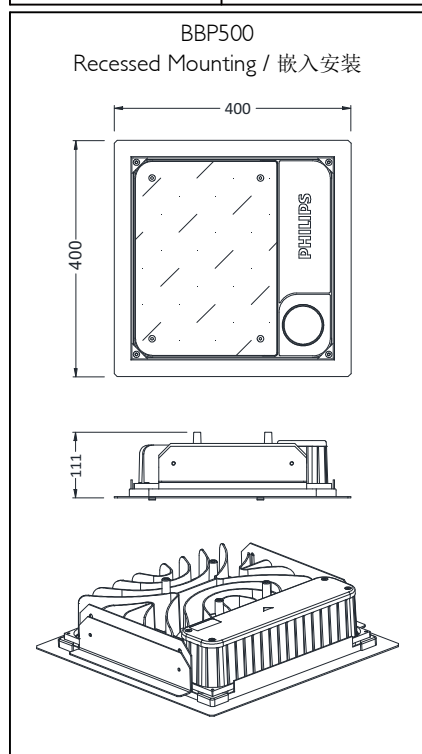
BBP500/BCP500/BGP500

Mounting instruction 安装说明

4441 700 95111

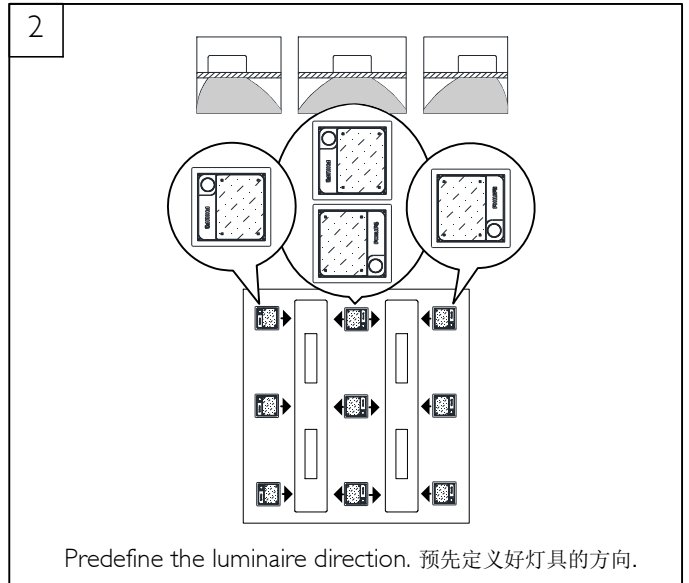
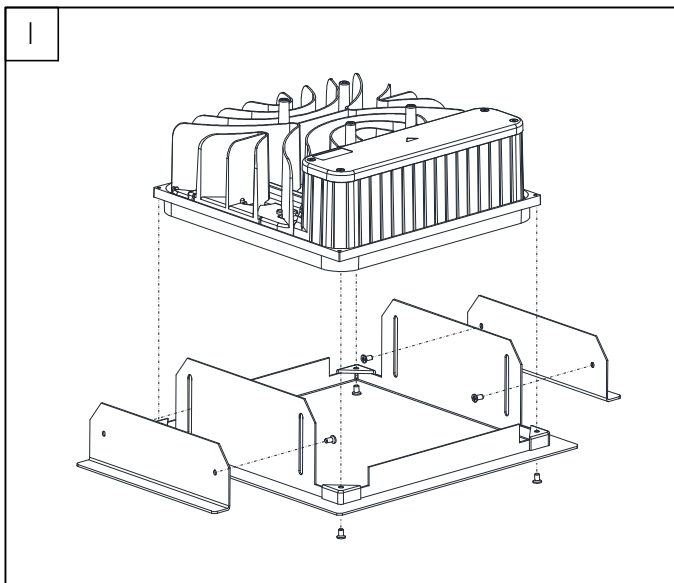


Mounting Option 安装方式	Application Type 应用类型	Lens optic 配光	LED Color Temp. LED 色温	kg	
Recessed mounting 嵌入式	BBP500/PSU BBP500/PSU/GU5.3 BBP500/PSR BBP500/PSD	Sym. 对称 (WB、MB)	NW(4000K 正白光)	8.1	 For indoor 室内使用
		Asym. 非对称 (WB)	CW(6000K 冷白光)		
Surface mounting 吸顶式	BCP500/PSU BCP500/PSU/GU5.3 BCP500/PSR BCP500/PSD	Sym. 对称 (WB、MB)	NW(4000K 正白光)	8.1	
		Asym. 非对称 (WB)	CW(6000K 冷白光)		
Pole mounting 杆装式	BGP500/PSU	Asym. 非对称 (WB)	NW(4000K 正白光) CW(6000K 冷白光)	7.2	 For outdoor 室外使用

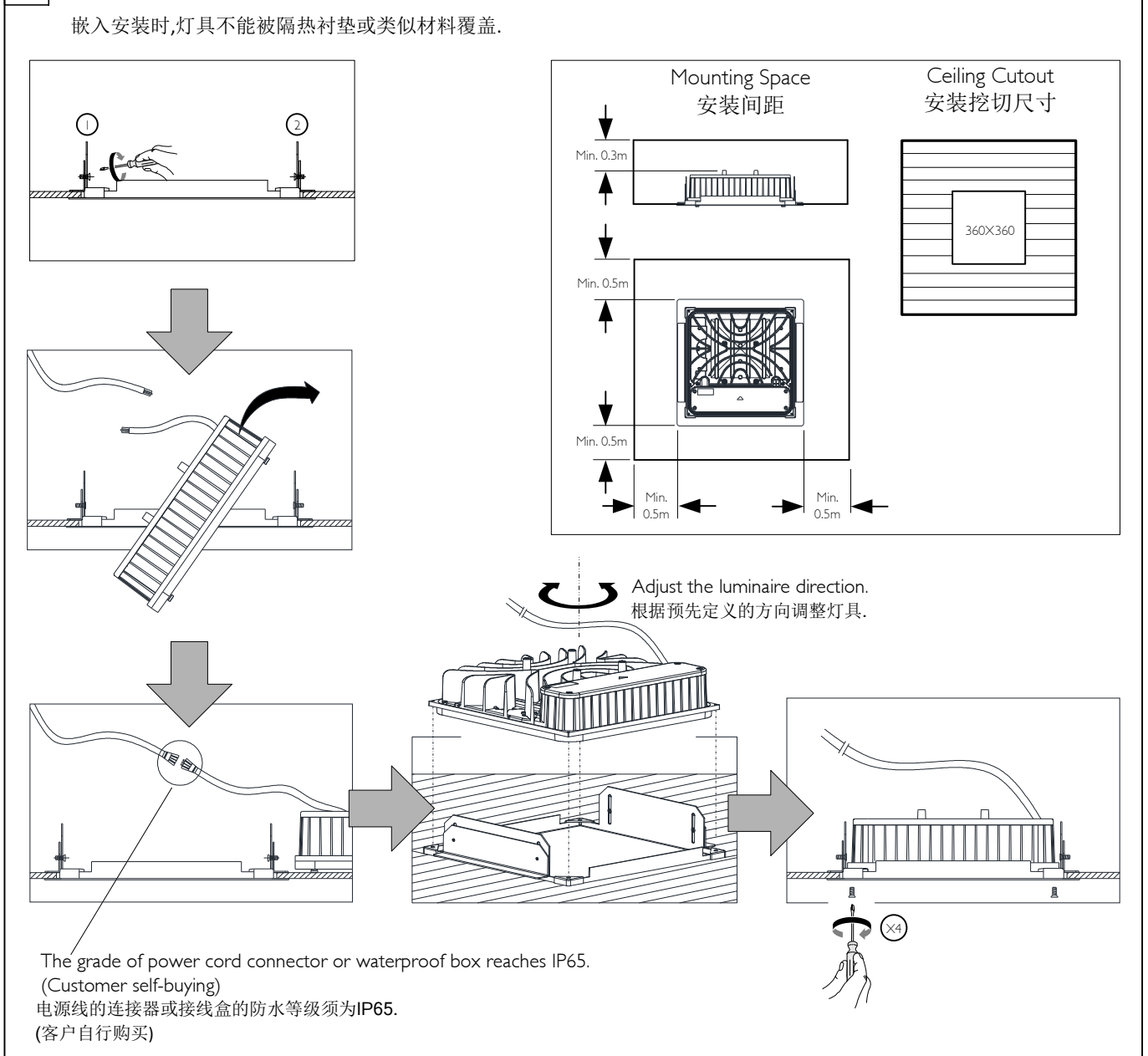


- Notes: 1. Please replace any cracked protective shield. 灯具应只能完整地带有防护罩使用
2. Type Y attachment for the power cord. If it gets damaged, please have it replaced by a qualified electrician.
灯具电源线采用Y型连接, 一旦损坏, 需要专业人士维修。
3. If glass gets damaged, please have it replaced by a qualified electrician.
一旦玻璃损坏, 需要专业人士维修。
4. The recessed luminaire shall, under no circumstance, be covered with insulation matting or similar material or directly be mounted in General insulation matting surface.
嵌入式灯具不能被隔热材料或类似材料覆盖, 也不能直接安装在普通可燃材料表面。
5. The fixed luminaire shall, under no circumstance, be directly mounted in general insulation matting surface.
固定式灯具不能直接安装在普通可燃材料表面。

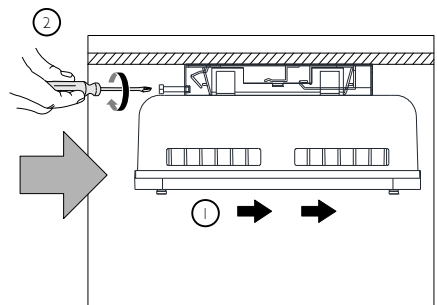
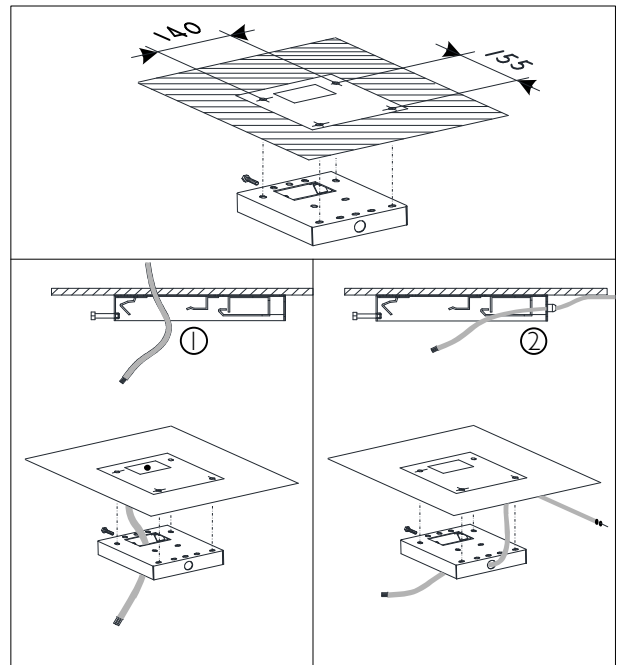
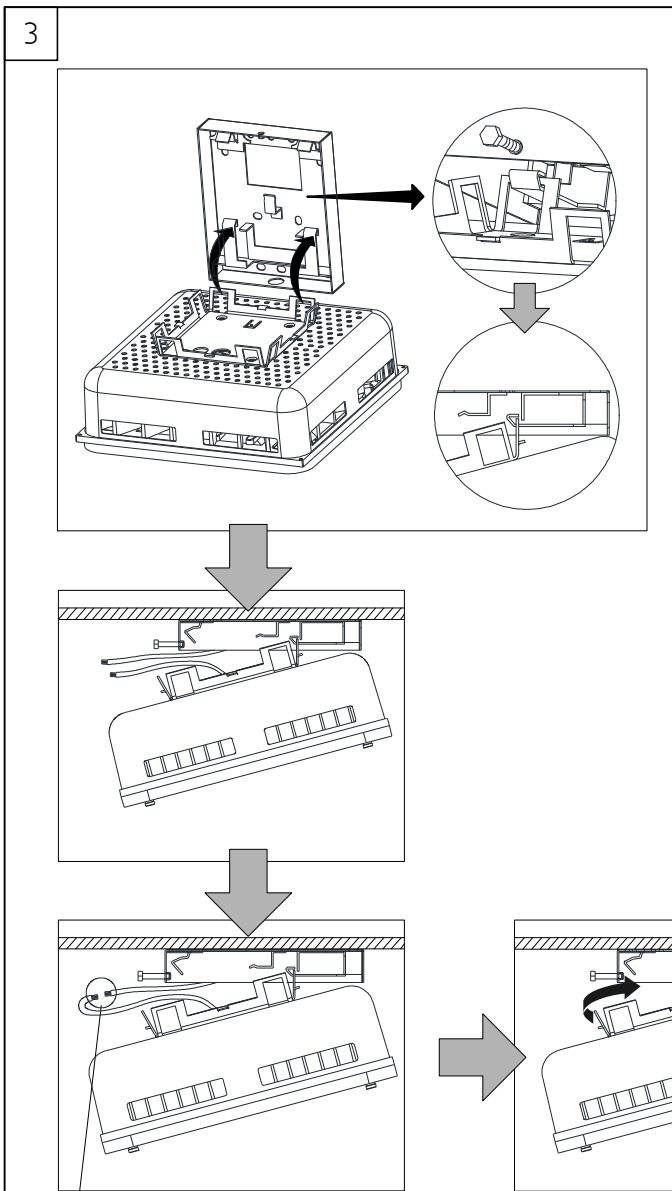
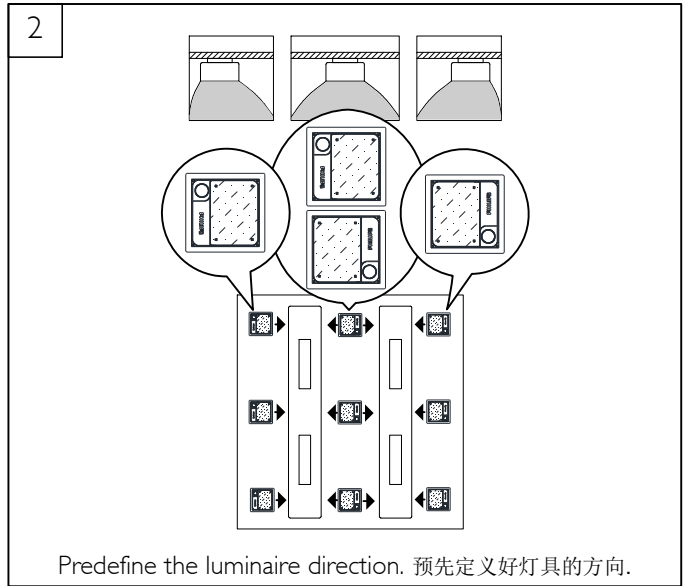
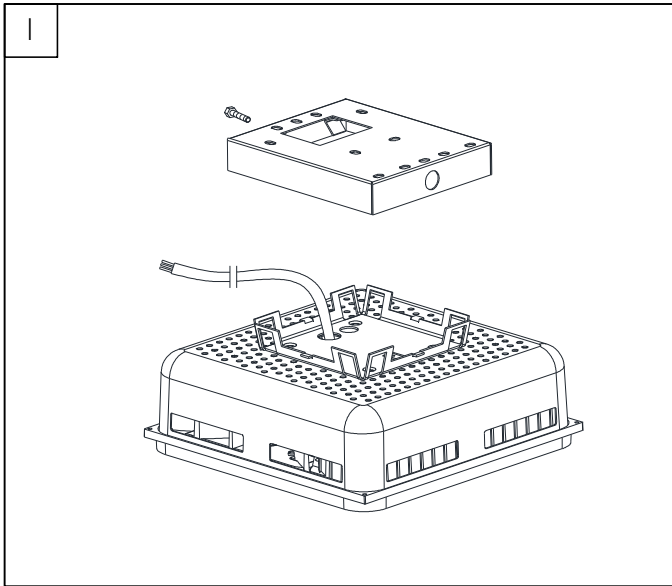
BBP500 Recessed mounting/嵌入式安装



3 For recessed mounting, the Luminaire shouldn't be covered with insulating matting or similar material.
 嵌入式安装时,灯具不能被隔热衬垫或类似材料覆盖.

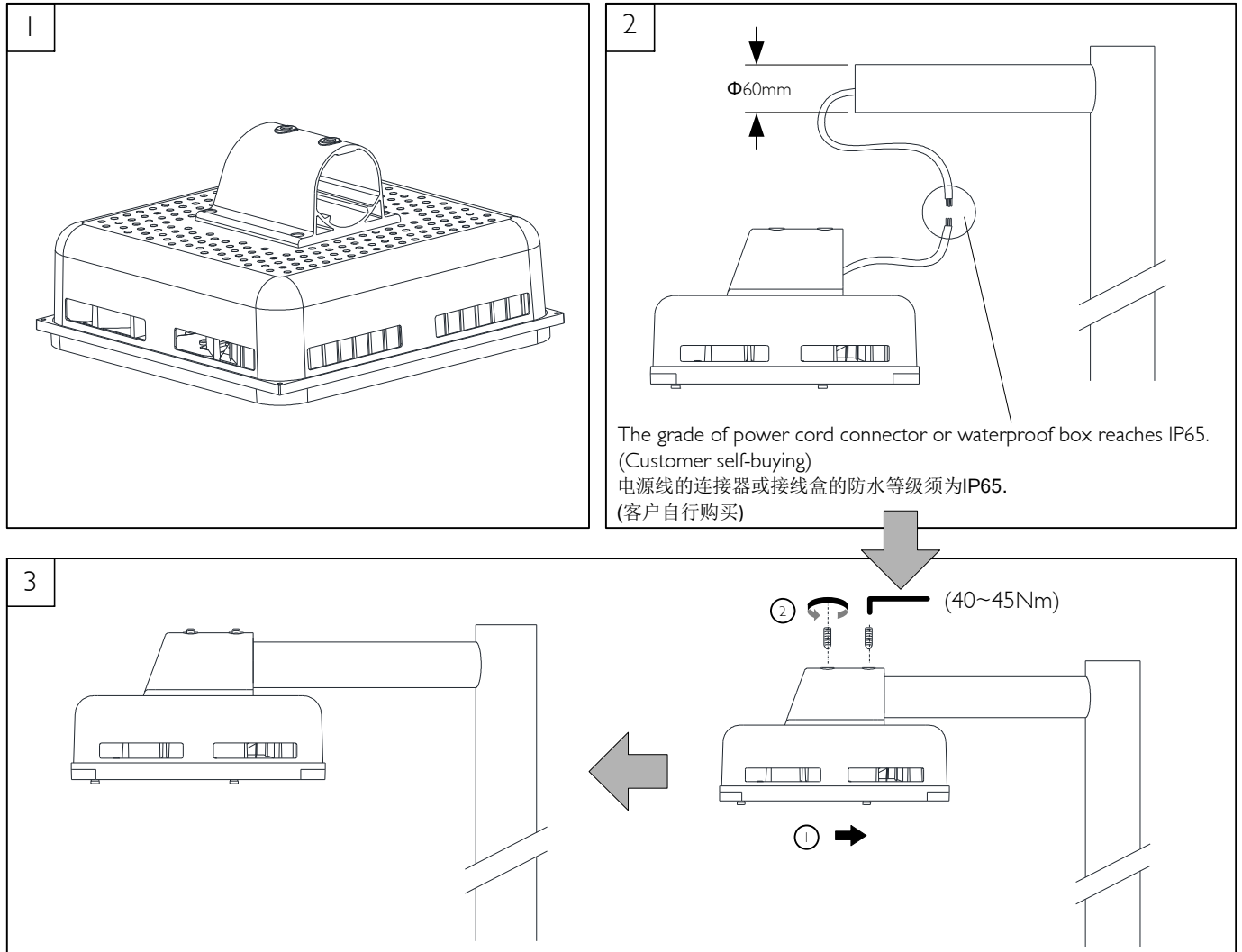


BCP500 Surface mounting/吸顶式安装

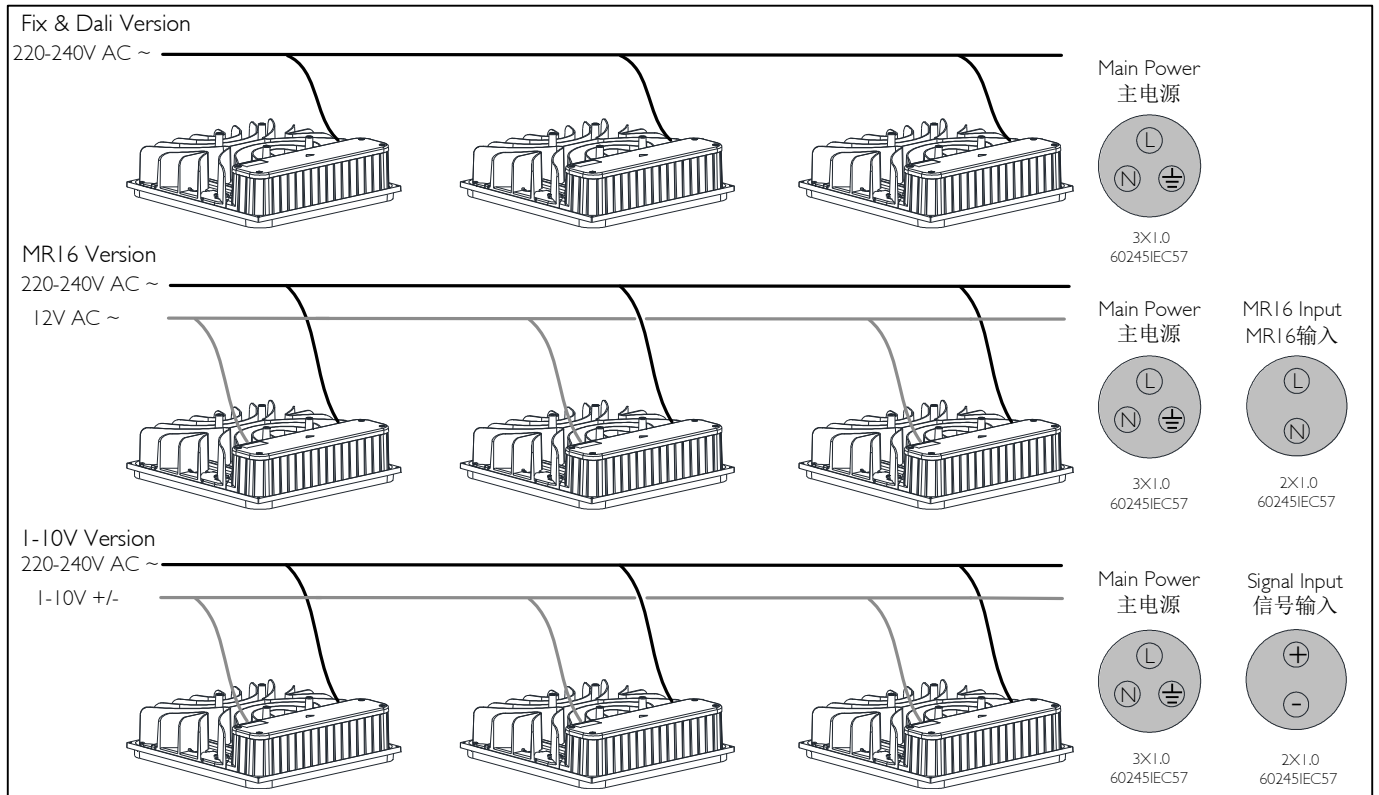


The grade of power cord connector or waterproof box reaches IP65.
 (Customer self-buying)
 电源线的连接器或接线盒的防水等级须为IP65。
 (客户自行购买)

BGP500 Pole mounting/灯杆式安装



Application/应用 -Wiring/接线



Application/应用

-MR16 choice/MR16选用



-Dali control system/Dali控制系统

