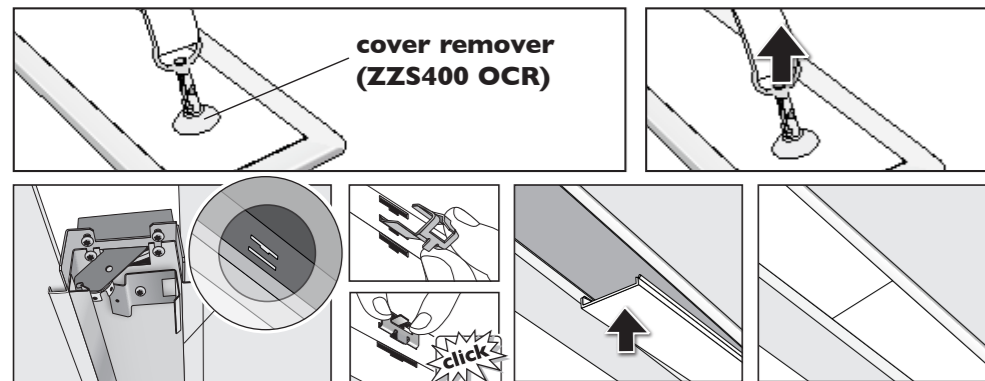
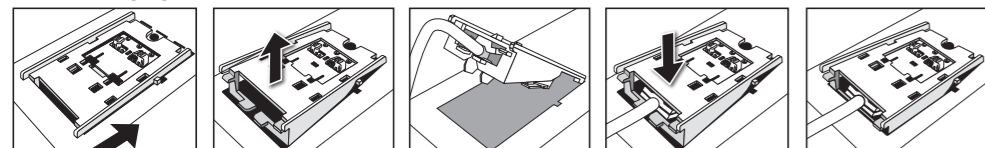


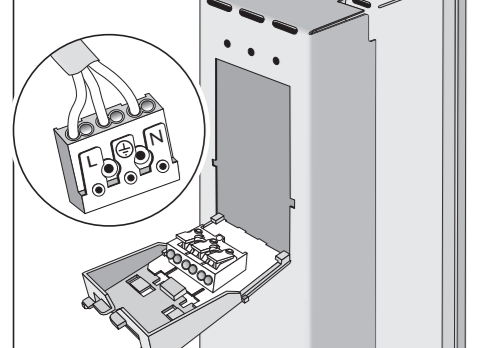
## MLO



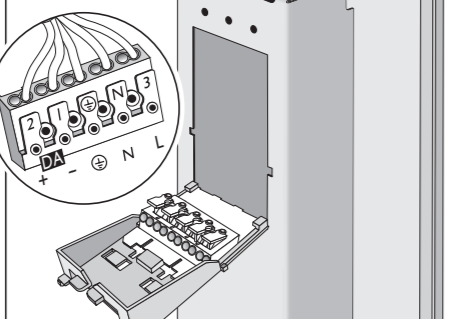
## Push-In (PI)



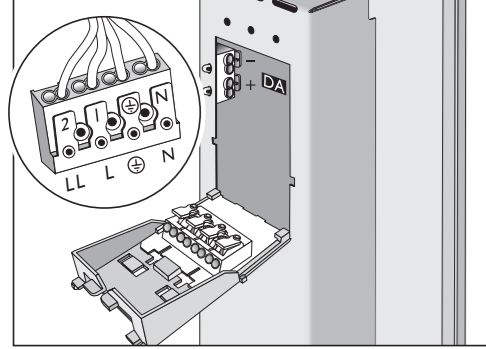
## HFPi



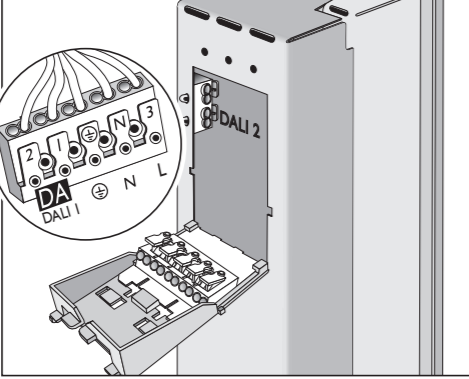
## HFR HFD-T HFD



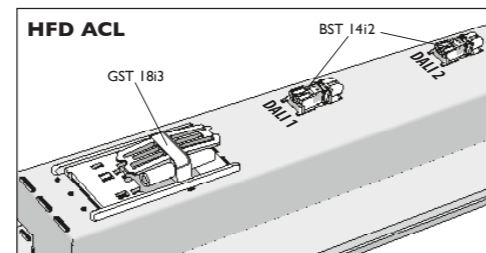
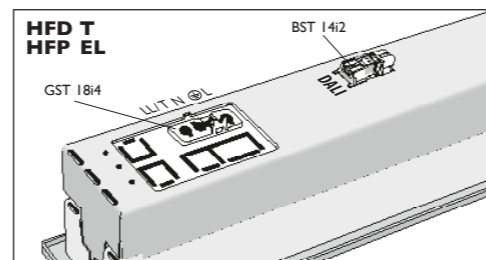
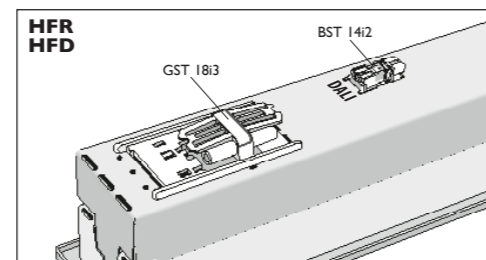
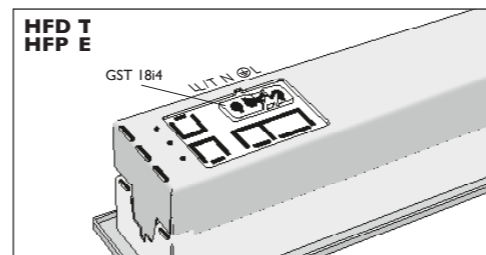
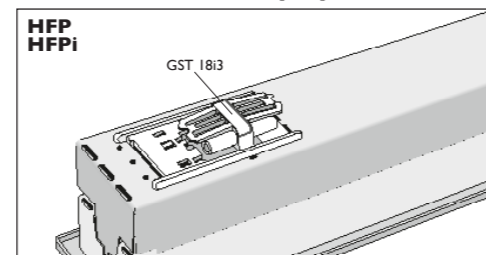
## HFR EL HFD EL



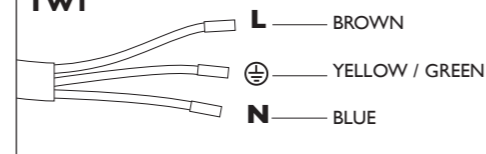
## HFD ACL



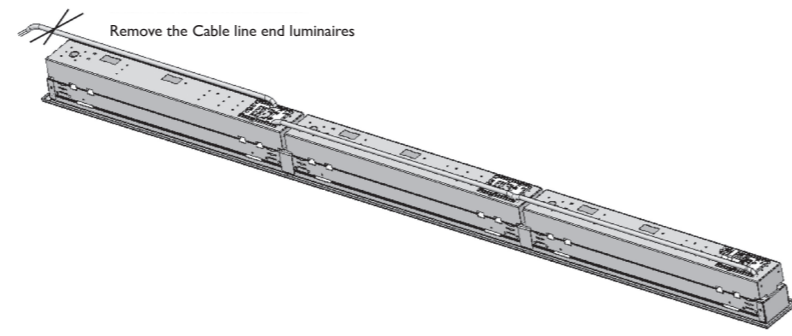
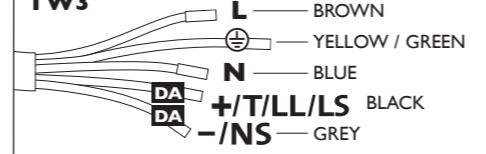
## Wieland/Adels (W)



## TW1



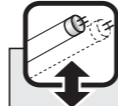
## TW3



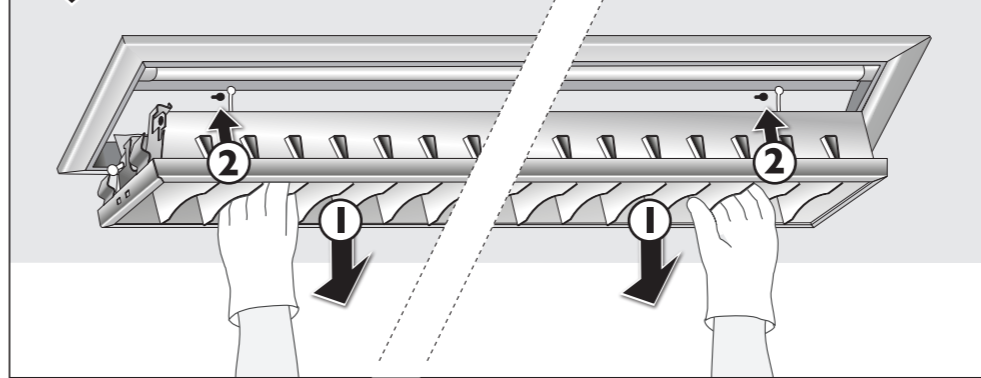
Philips Lighting  
www.philips.com

4422 003 30573  
04/14

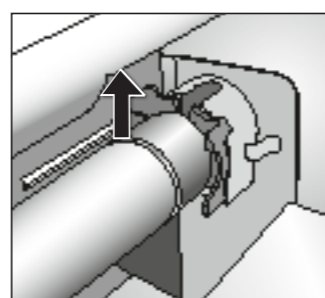
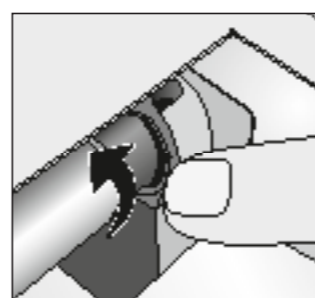
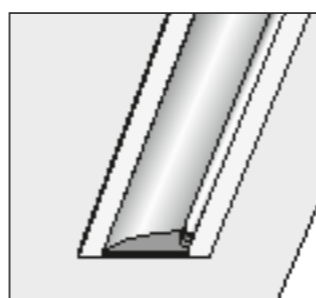
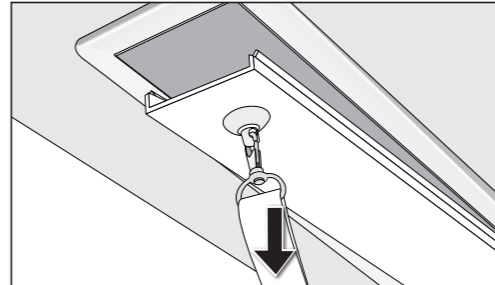
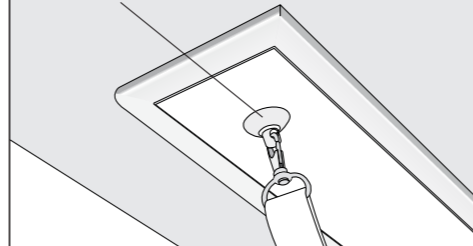
## Service



## ATTENTION!



## cover remover (ZZS400 OCR)



Use Philips lamps for optimum performance  
Funzionamento ottimale garantito con lampade Philips  
Resultados óptimos con lámparas Philips  
Toimii parhaiten Philips-lamppujen kanssa  
Funciona melhor com lâmpadas Philips no interior  
Werkt het best met Philips-lampen

Fonctionnement optimal avec lampes Philips  
Bestes Betriebsergebnis mit Philips-Lampen  
Fungerer bedst med Philips-lamper  
Fungerer mest optimalt med Philips-lamper  
Fungerar bäst med lampor från Philips

## SmartForm TBS417 Continuous Light Line

### Installation instructions

Instructions de montage / Instrucciones de montaje / Koonpano- ja kiinnitysohjeet / Szerelesi utasítások  
Montageanleitung / Instruções de montagem / Montaj yönergisi / Návod k montáži  
Montage instruktie / Monteringsinstruktioner / Οδηγίες συναρμολόγησης / ИНСТРУКЦИЯ ПО МОНТАЖУ  
Istruzioni di montaggio / Monteringsvejledning / Instrukcja montazu / Návod k montáži

### IP 20 - IP 40

This luminaire must be earthed.  
Ce luminaire doit être mis à la terre.  
Diese Leuchte muß geerdet werden.  
Dit armatuur moet worden geaard.  
Questa armatura deve essere collegata a terra.  
La Luminaria debe estar conectada a tierra.

For EL-versions:  
NO INSULATION

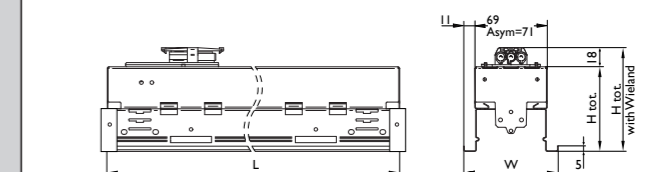
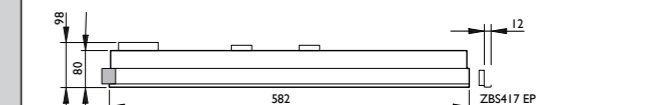


Class I

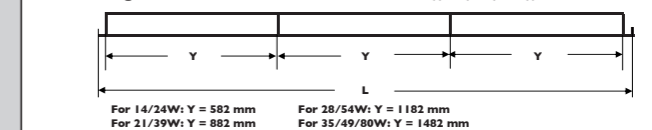
Class I

### All dimensions are in mm

	# Lamps	Power (W)	L	W	H	H (W/I/PI)
TBS 417 (continuous)	1lps	14/24	582	90	80	98
	1lps	21/39	882	90	80	98
	1lps	28/54	1182	90	80	98
	1lps	35/49	1482	90	80	98
	2lps	14/24	582	115	90	107
	2lps	21/39	882	115	90	107
TBS 417 (continuous) ASYM	1lps	14/24	582	90	75	93
	1lps	21/39	882	90	75	93
	1lps	28/54	1182	90	75	93
	1lps	35/49	1482	90	75	93

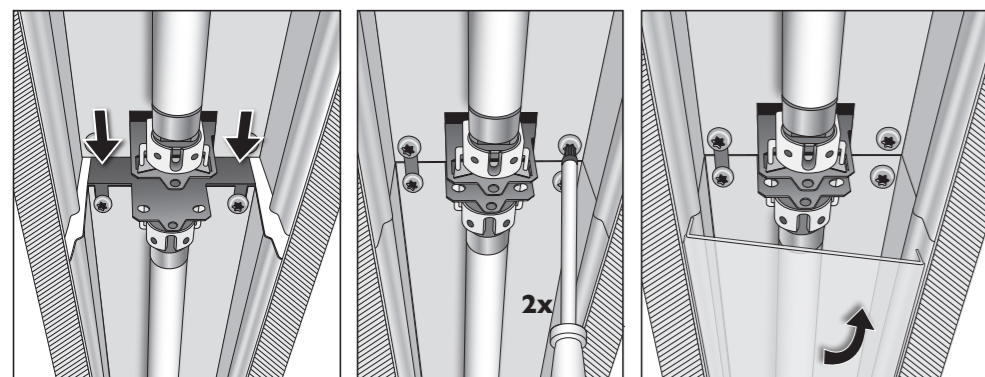
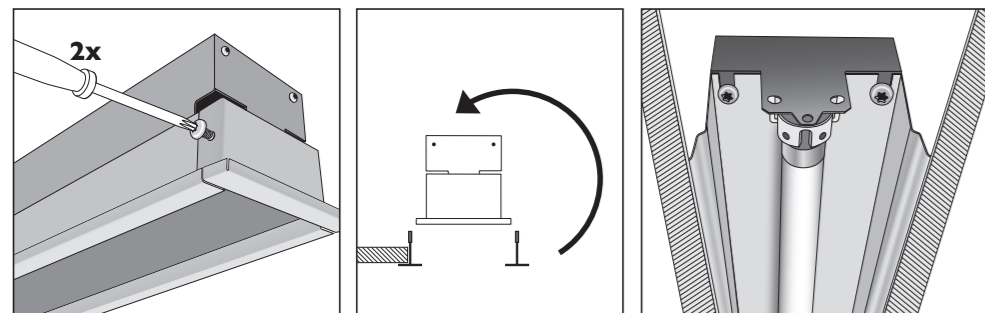
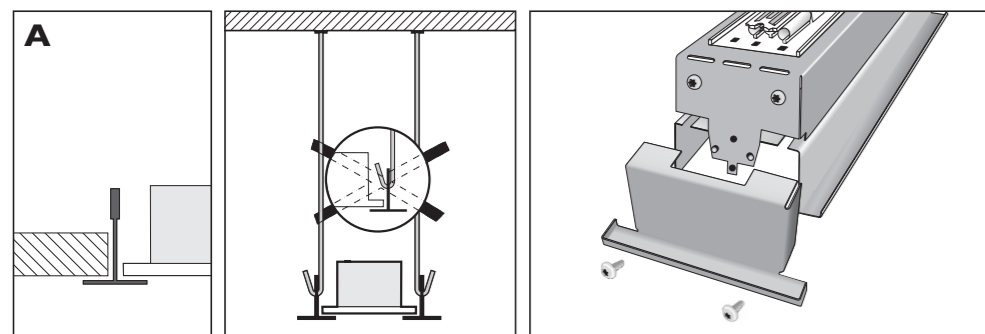


Light line TBS417 Formula:  $L = ((n^2)Y) + (2^*12)$  mm

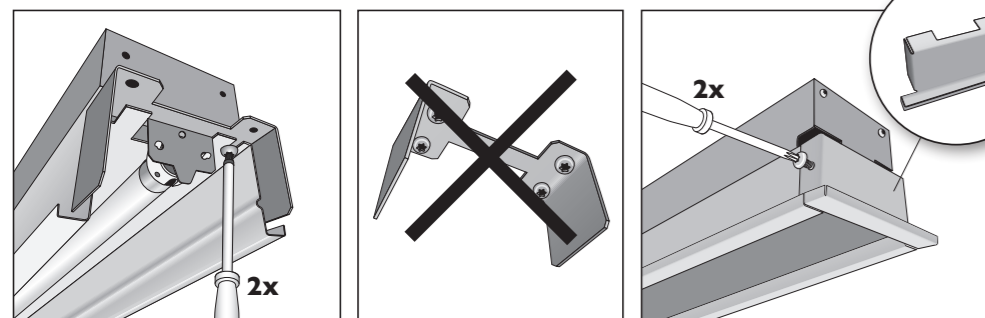


PHILIPS

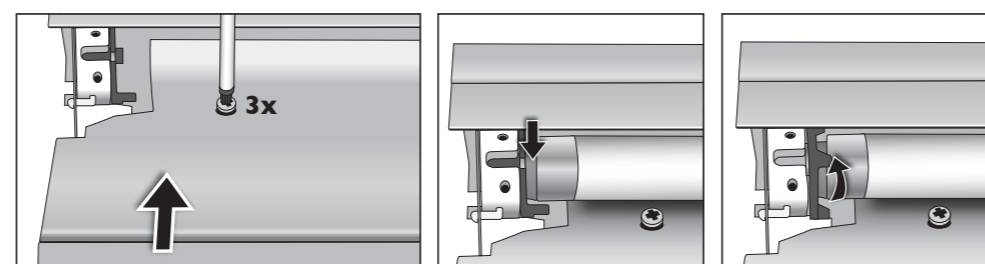
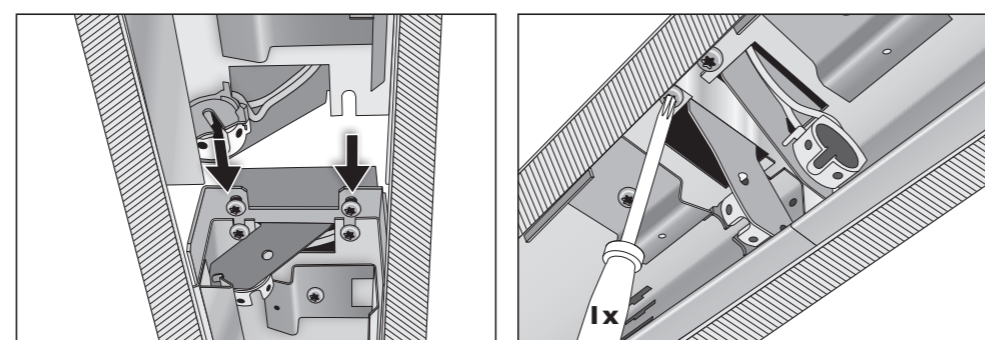
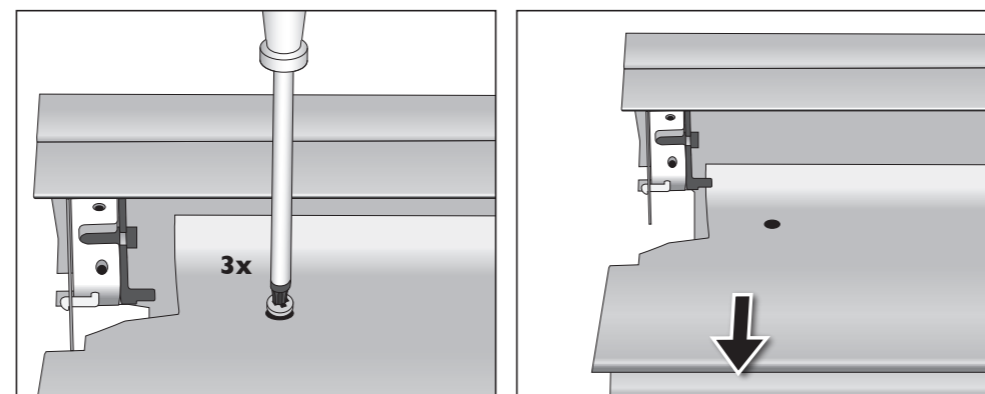
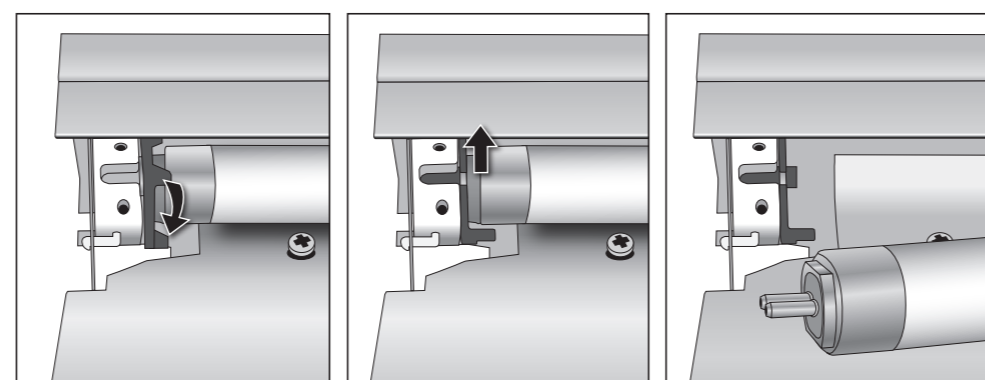
### Lay-In



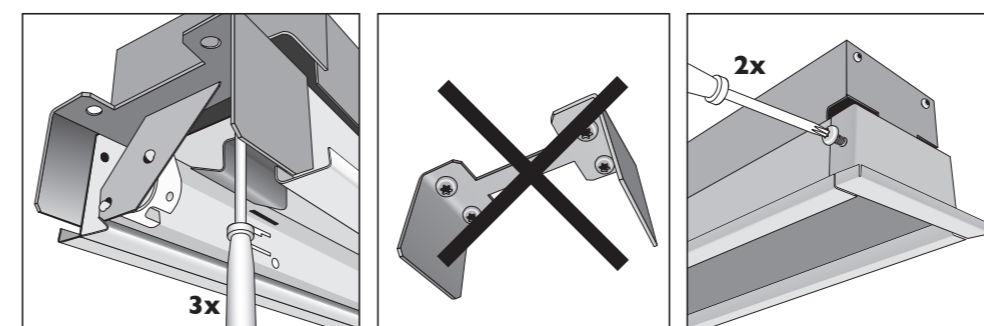
### End-Line



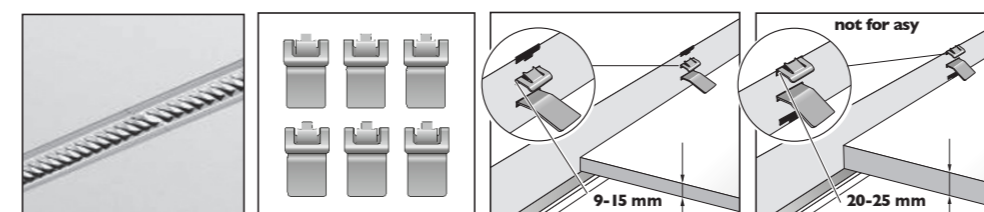
### OPTIC A



### END-LINE



### ZBS 460 SMB-PLC



Click

Cut-out dimension TBS41 1/412 in mm				
Type	All lamp types	Width	14/24/21/39	28/54/35/49/80
TBS 417	all 1-lamp versions	78	4	6
TBS 417	all 2-lamp versions	103	4	6

not for asy

Click

Cut-in length depends on total light line

