

CHLORIDE

by 



Exit/Emergency

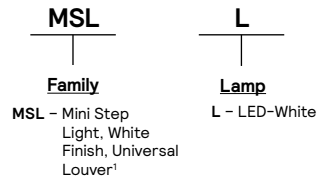
MSL series

LED mini step light

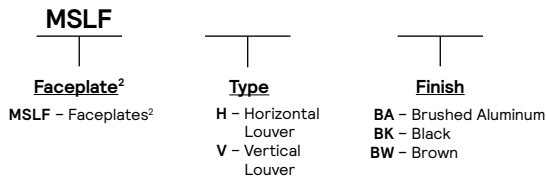


Project: _____
Location: _____
Cat.No: _____
Type: _____
Lamps: _____ Qty: _____
Notes: _____

Example: MSL



accessory faceplates (these optional faceplates (if required) must be ordered in addition to the standard unit above.)²



Footnotes:

¹ Universal Louver includes both Horizontal and Vertical faceplate.
² Each catalog number represents a carton of 6 faceplates. Carton quantity cannot be broken.

codes and standards

- UL Listed for damp locations .

construction

- One piece design to install in standard single gang switch box .
- Standard unit is white with a universal louver type faceplate .
- The vertical louver face plate comes attached to the electronics . If the horizontal louver face plate is needed just remove the vertical plate and install the horizontal face plate .
- Other finishes available : Brushed aluminum , black , or brown (see accessory faceplates) , these must be ordered in addition to the standard unit .
- The accessory faceplate are only available in sets of 6 .

installation

- Units designed to be installed in a standard single gang switch box .

electronics

- 120 VAC voltage input
- Power Consumption : Unit consumes less than 1 Watt per unit .

lamps

- LED's are available in white only .
- Total of 12 LED's .
- Color temperature 2700K .

warranty

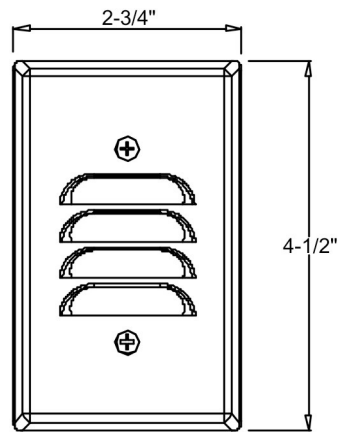
- Five year warranty on units . (Lamps not included .)



MSL LED mini step light

dimensions

Vertical Louver



Horizontal Louver

