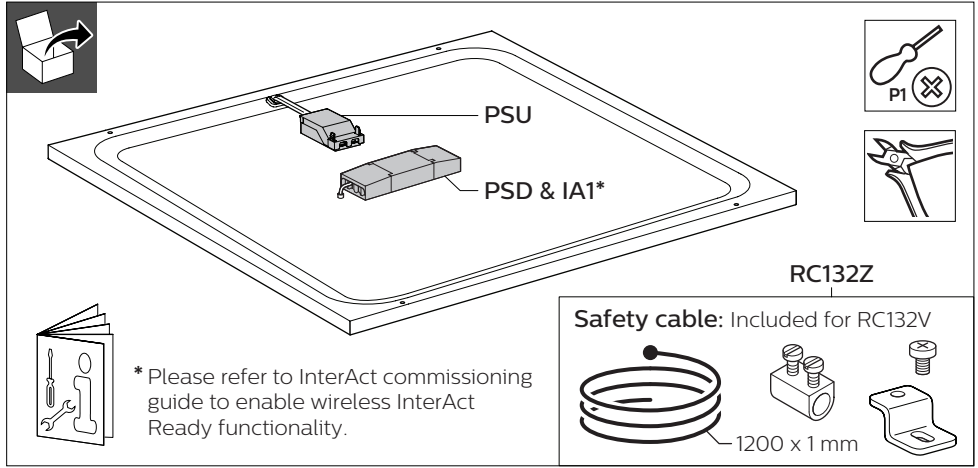


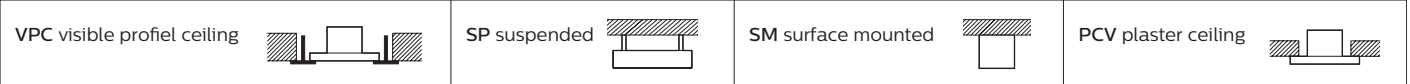
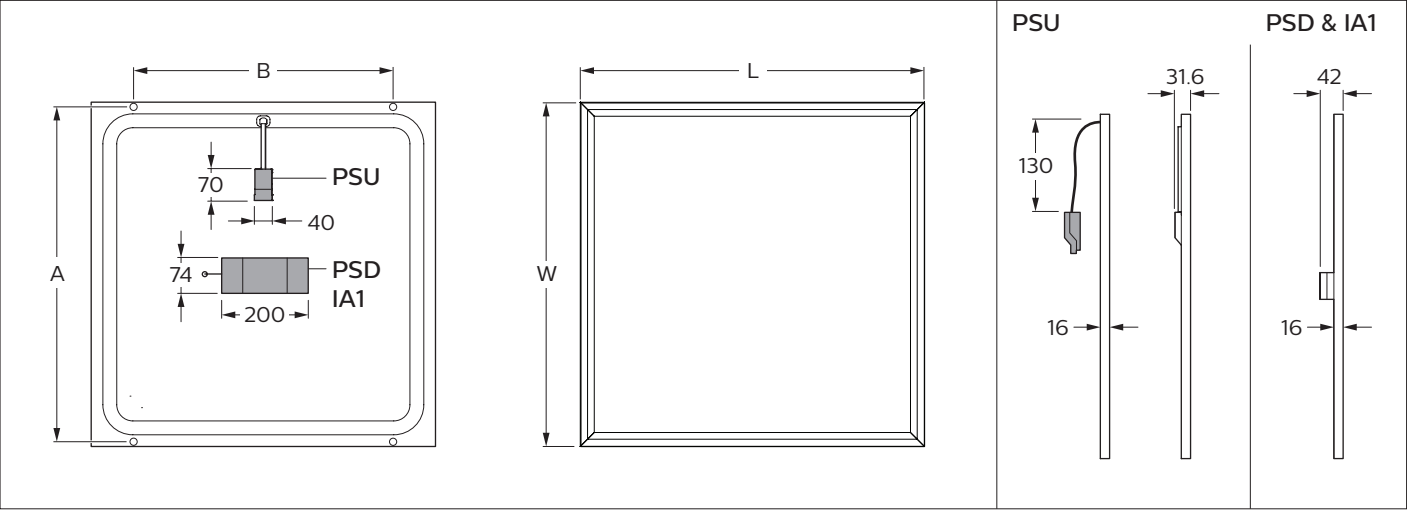
PHILIPS

CoreLine Panel

RC132V/RC133V

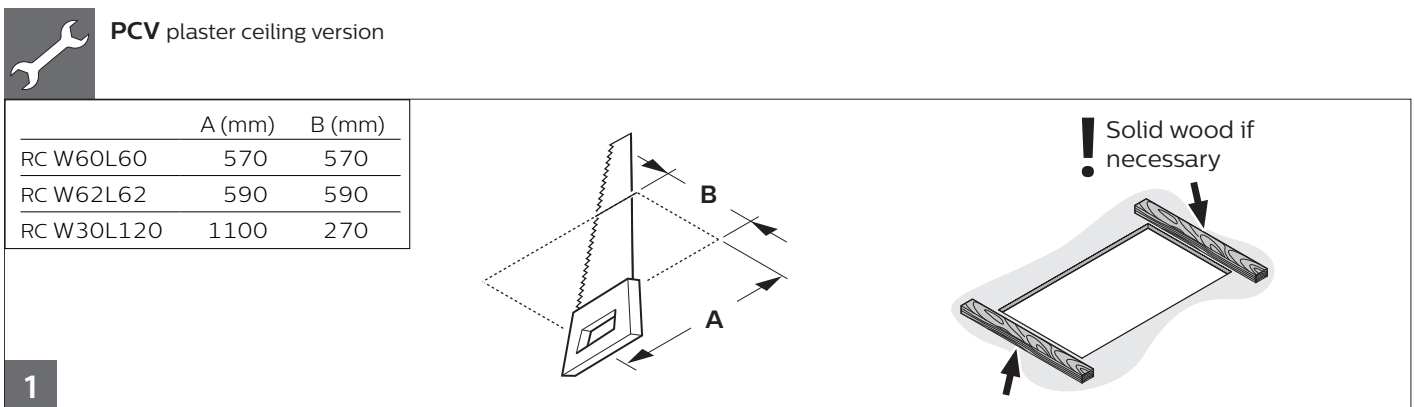
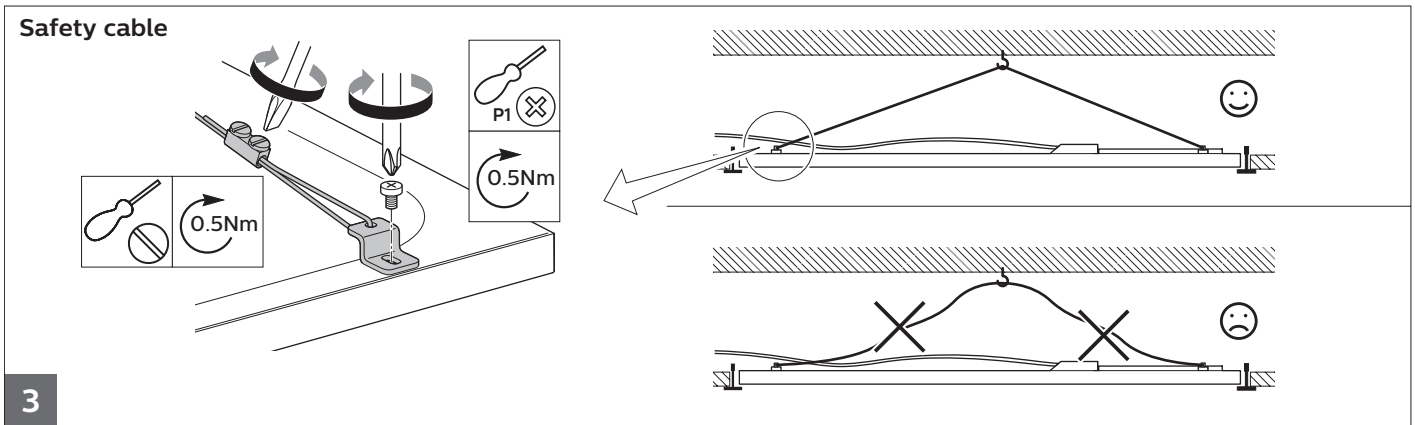
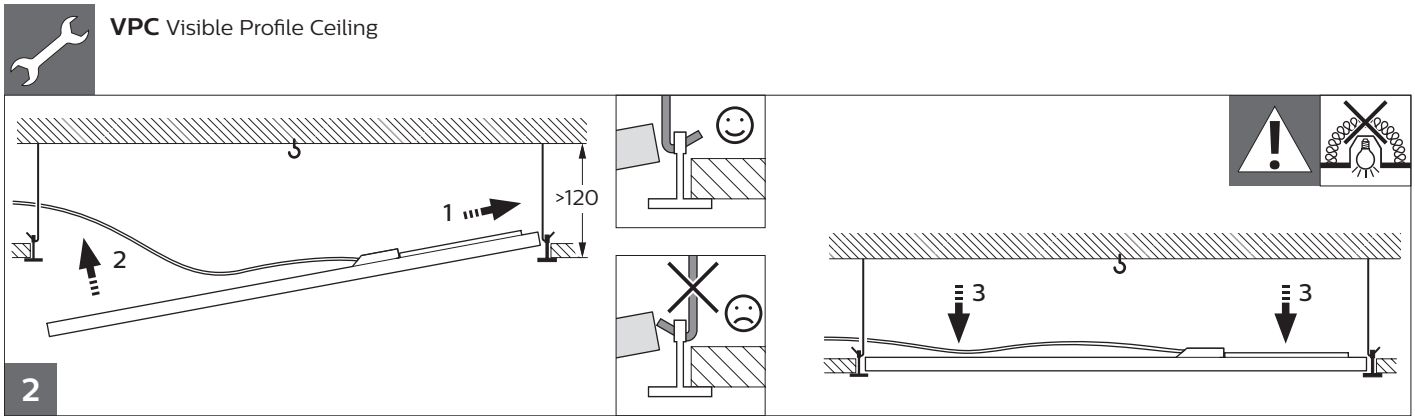
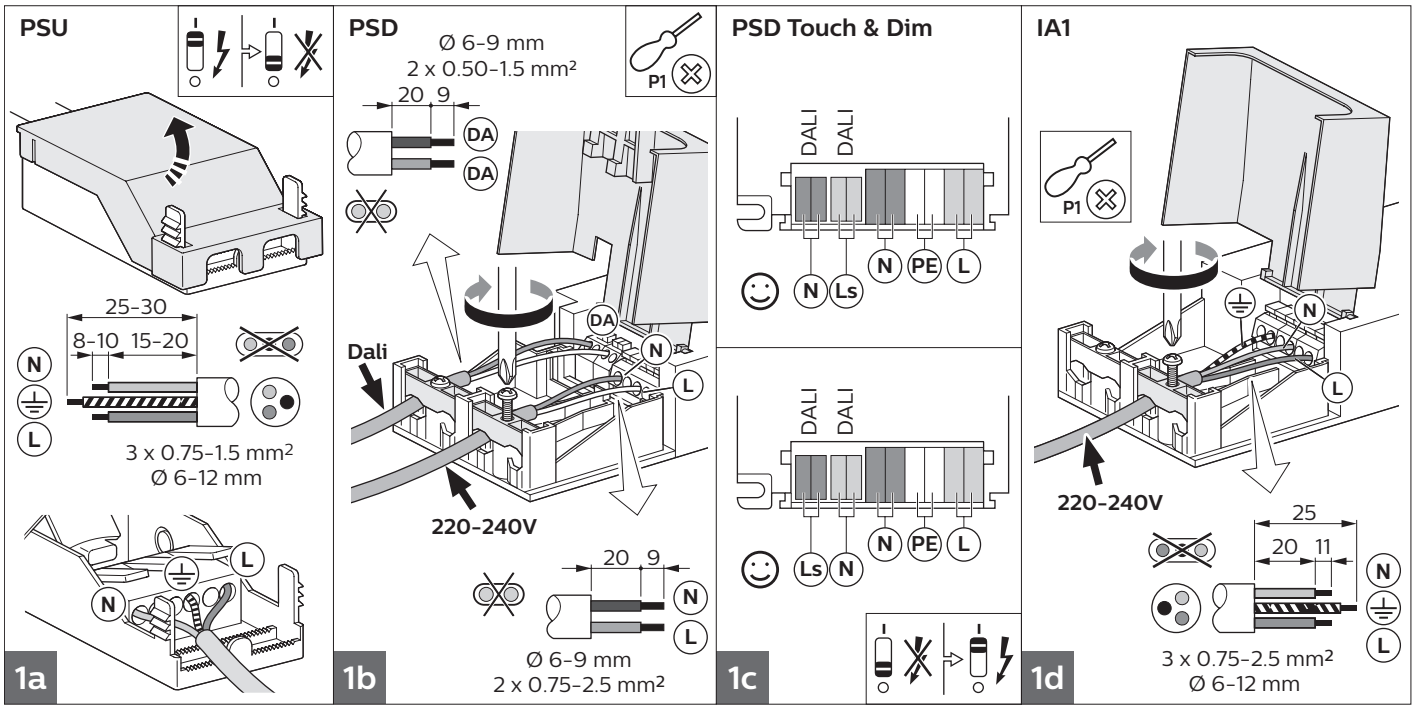


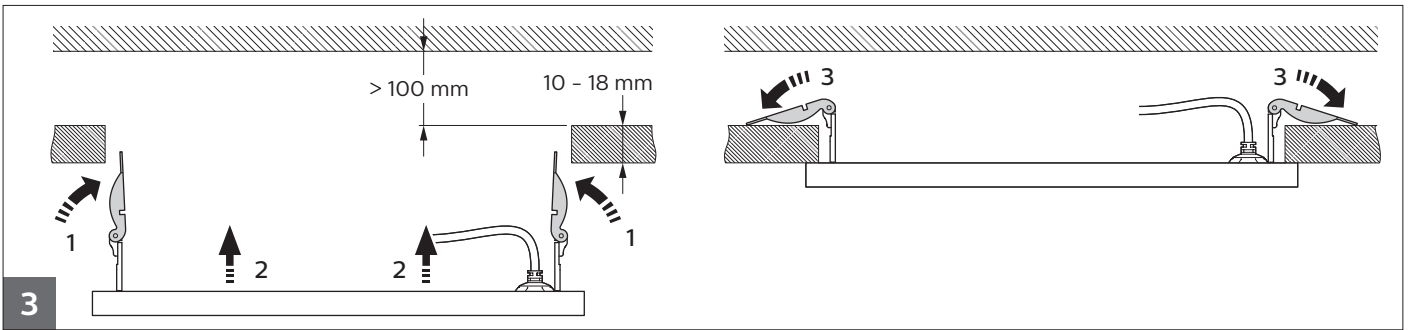
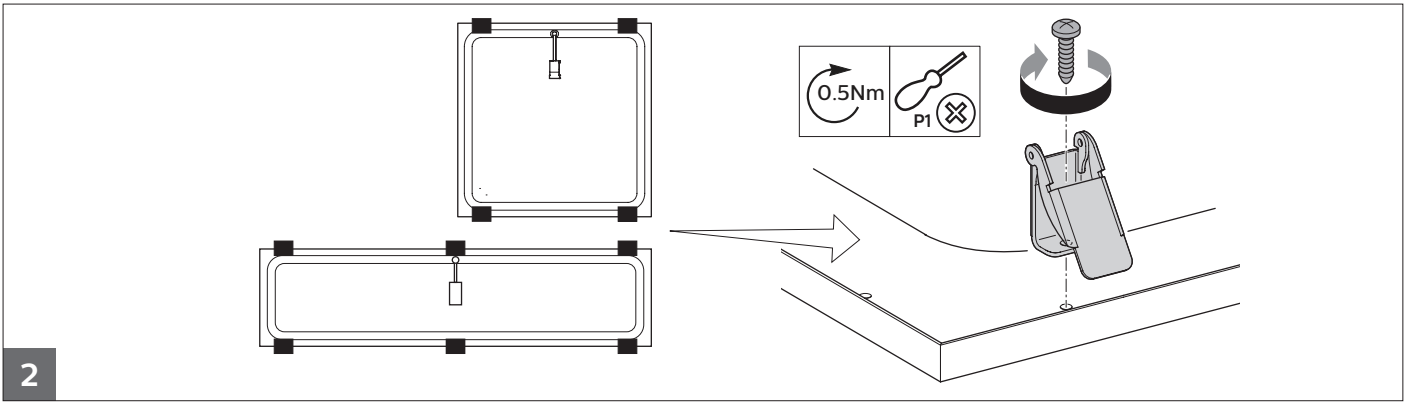
	Lumen (lm)		Power (W)		W x L (mm)	A x B (mm)	Weight (kg)	
	4000K	3000K	PSU	PSD/IA1			PSU	PSD/IA1
RC132V W30L60	1800	-	18	-	297 x 597	281 x 450	1.40	-
RC132V W60L60					597 x 597	581 x 450	2.39	3.60
RC132V W30L120	3600	3400	36	35	297 x 1197	281 x 1050	2.64	3.85
RC133V W62L62					622 x 622	606 x 475	2.47	3.75



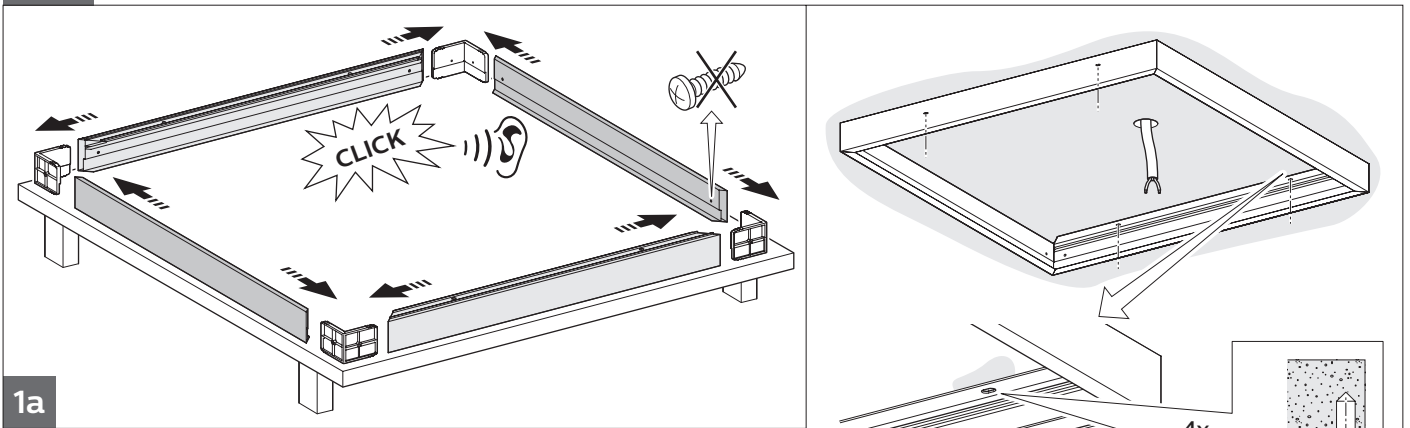
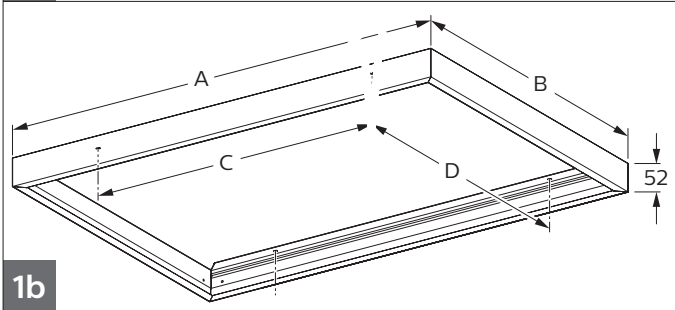
Optional:

<p>Suspension kit: 912401483179 RC132Z SME-3 WH 912401483180 RC132Z SME-4 WH</p>	<p>Surface mounted kit: 910930031018 RC125Z SMB W60L60 910930031118 RC126Z SMB W62L62 910930031218 RC125Z SMB W30L120 912401483181 RC132Z SMB W30L60</p>	<p>Plaster kit: 910930031318 RC125Z SMB-PLC</p>
---	---	--

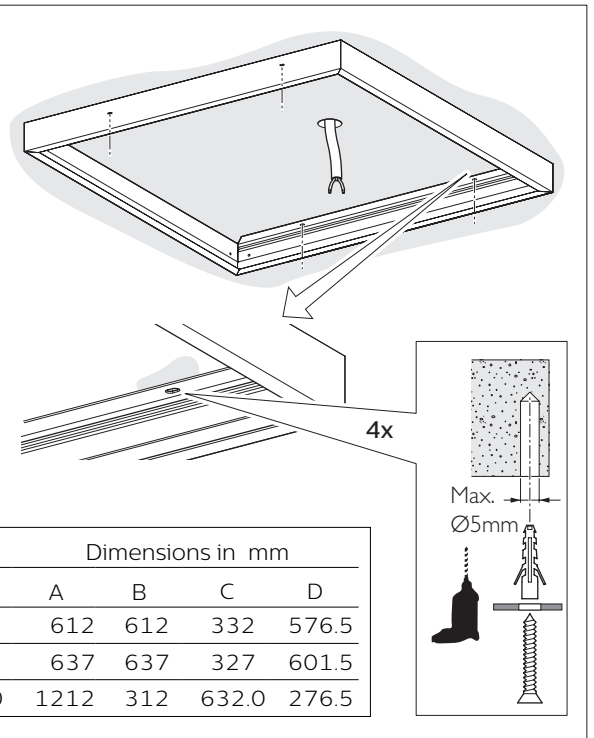




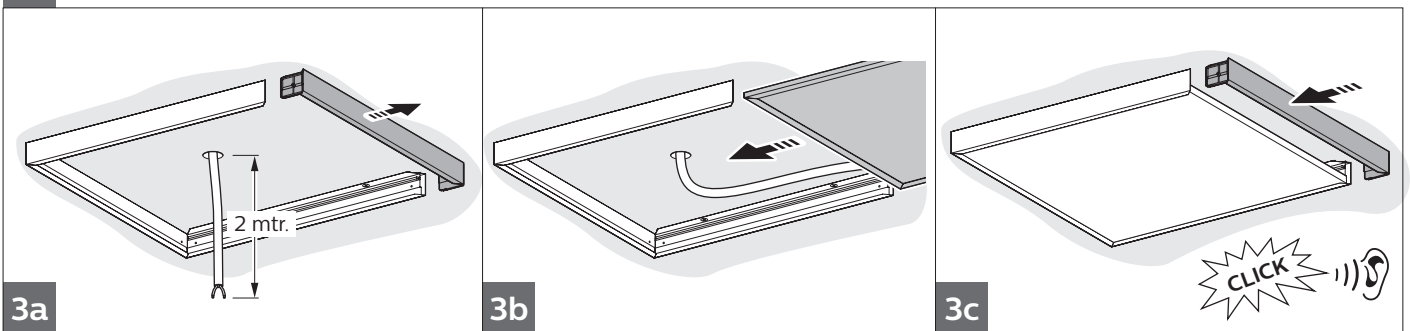
 **Surface mounted**

Dimensions in mm				
	A	B	C	D
W60L60	612	612	332	576.5
W62L62	637	637	327	601.5
W30L120	1212	312	632.0	276.5



2 Electrical connections. See relevant installation instruction.

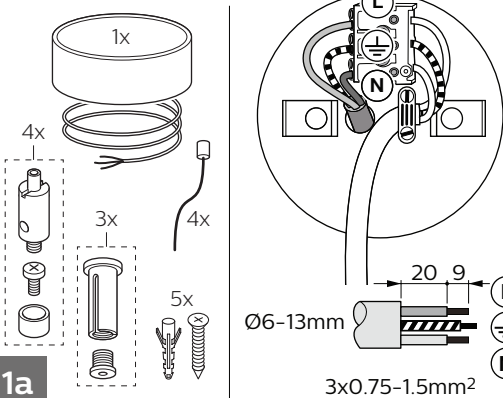
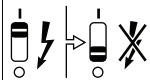




Suspension kit

PSU & IA1

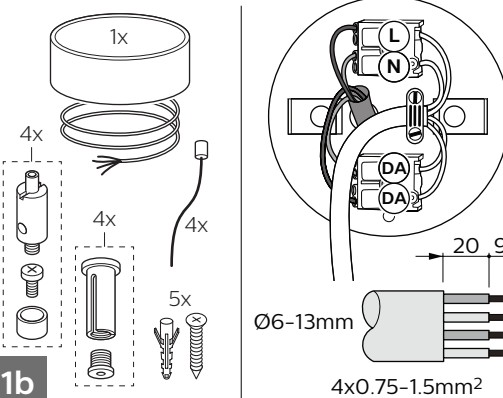
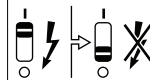
912401483179
RC132Z SME-3 WH



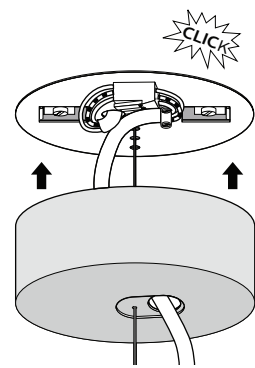
1a

PSD

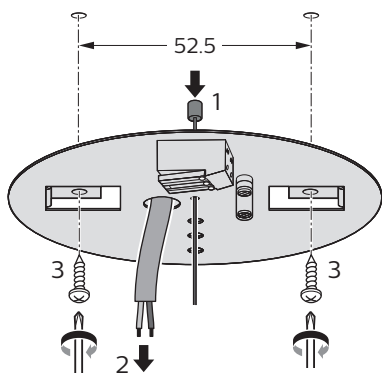
912401483180
RC132Z SME-4 WH



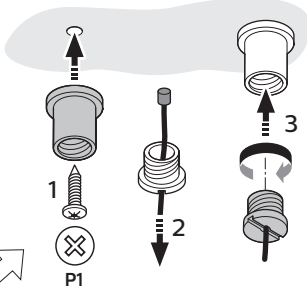
1b



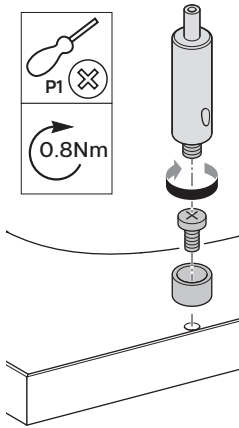
2



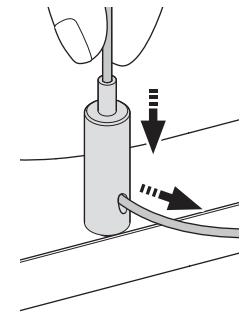
3



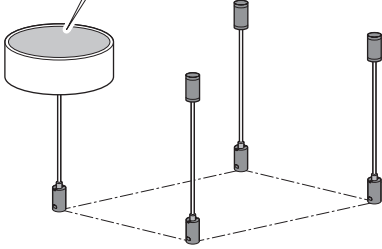
4



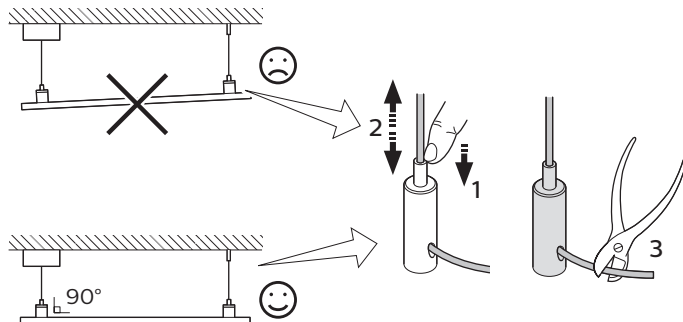
5



6

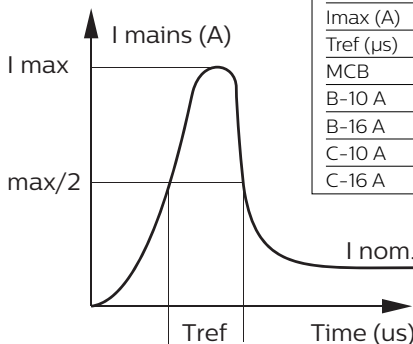


7



8

Inrush current



	PSD 35W	IA1 35W	PSU 18W	PSU 36W
Electrical characteristics				
I _{max} (A)	20.4	12	3.6	4.5
T _{ref} (µs)	195	250	56	66
MCB	No. of driver max.			
B-10 A	15	15	19	15
B-16 A	24	24	30	24
C-10 A	25	25	31	24
C-16 A	40	40	51	40



ATTENTION
OBSERVE PRECAUTIONS
FOR HANDLING
ELECTROSTATIC
SENSITIVE
DEVICES

- The luminaire shall be installed by a qualified electrician and wired in accordance with the latest IEE electrical regulations or the national requirements.
 - The light source of this luminaire is not replaceable; when the light source reached its end of life the whole luminaire shall be replaced.
 - Please do not remove the protect film before installing to avoid scraping or dirtying the optical part.
 - During installation or maintaining the luminaire please use gloves to avoid spots on the cover.
- To remove dirt and spots use the following:
- Dust: use micro fiber cloths only.
 - Fingerprints, etc.: use a cleaner for synthetic materials with antistatic properties.