

# DLE1220GL

Leading Edge Dimmer Controller

Control large loads in applications requiring large power handling

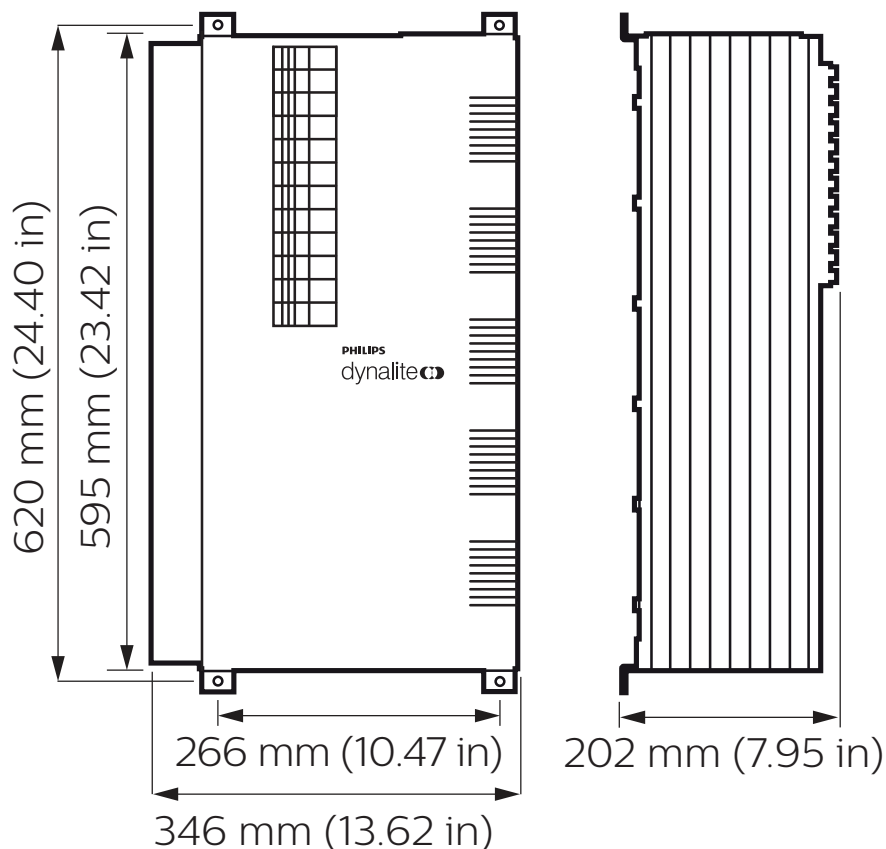
The Philips Dynalite DLE1220GL is a 12-channel leading edge dimmer controller, with a maximum load per channel of 20 A and total device load of 180 A. It is suitable for use with incandescent, neon and selected fluorescent light sources, as well as iron core and leading edge dimmable electronic transformers.

# DLE1220GL

Control large loads in applications requiring large power handling

- **Large load capability** – Ideal for applications that require reliability combined with large power handling.
- **DMX512 compatibility** – Perfect for use in theaters, shopping centers and auditoria.
- **Interference suppression** – Iron powder core toroidal choke lessens effects of interference from other equipment, such as transformers.
- **Naturally ventilated** – Requires no forced cooling or maintenance.
- **Soft start and voltage regulation technologies** – Protects lamps from over voltage and dramatically improves lamp life, reducing maintenance costs.
- **Diagnostic functionality** – Device Online/Offline status reporting.
- **User controls** – Incorporates service override switch and three phase indicator LED. Hardware bypass switches are provided for each channel.
- **Option available** – Earth leakage and overload protection on each channel.

## Dimensions



# Specifications

Due to continuous improvements and innovations, specifications may change without notice.



**DLE1220GL**  
Leading Edge Dimmer Controller

## Electrical

Supply Type	Three-phase
Three-Phase Supply	230 / 400 VAC (±14%) 3 @ 63 A/phase
Backup CPU Supply	12 VDC @ 1 A (SELV / Class 2)
Outputs	12 x Leading edge dimming
Output Channel Current	20 A
Maximum Device Load	180 A
DyNet DC Output Voltage	12 VDC
DyNet DC Output Current	200 mA
Power Conditioning	Regulated outputs Overvoltage protection Surge protection Brownout / Sag protection Spike protection Soft start 16 bit fade resolution (65,536 steps) Active phase angle firing compensation
Electrical Protection	12 x 20 A circuit breakers (single-pole thermal magnetic, 6 kA surge)
Regulating Device	Dual SCR (65 A nom., 800 V, 800 A surge)
Interference Suppression	Iron powder toroidal choke
Rise Time	200 µS @ 230 V
IEC Overvoltage Category	III

## Control

Serial Ports	1 x RS485 1 x DMX
Supported Protocols	DyNet DMX Rx
DMX Rx Channels	12
Dry Contact Inputs	1 (AUX)
Diagnostic Functions	Device online/offline status
User Controls	1 x service switch 12 x output channel override
Indicators	1 x service LED 3 x phase indicator LED

## Physical

Dimensions (H x W x D)	596 x 346 x 202 mm (23.46 x 13.62 x 7.95 in)
Packed Weight	35.0 kg (77.16 lb)
Construction	Alloy/steel wall mount case Powder coat finish
Mains Cable Entry	5 x Ø 25 mm knockout on 105 x 145 mm removable gland plate
Data Cable Entry	1 x Ø 25 mm knockout
Serial Ports	2 x RJ12 1 x 6-way screw terminal 1 x 2-way screw terminal
Serial Port Conductor Size	2.5 mm <sup>2</sup> (#12 AWG) (max)
Supply Terminals	3 x screw terminal (Line 1, Line 2, Line 3)
Supply Terminal Conductor Size	10 mm <sup>2</sup> (#6 AWG) (max)
Load Terminals	12 x screw terminal
Load Terminal Conductor Size	5 mm <sup>2</sup> (#10 AWG) (max)
Earth Bar Terminals	14 x screw terminal
Earth Bar Terminal Conductor Size	2 x 16 mm <sup>2</sup> (#6 AWG) (max) 12 x 5mm <sup>2</sup> (#10 AWG) (max)
Neutral Bar Terminals	14 x screw terminal
Neutral Bar Terminal Conductor Size	1 x 16 mm <sup>2</sup> (#6 AWG) (max) 13 x 5mm <sup>2</sup> (#10 AWG) (max)

## Environment\*

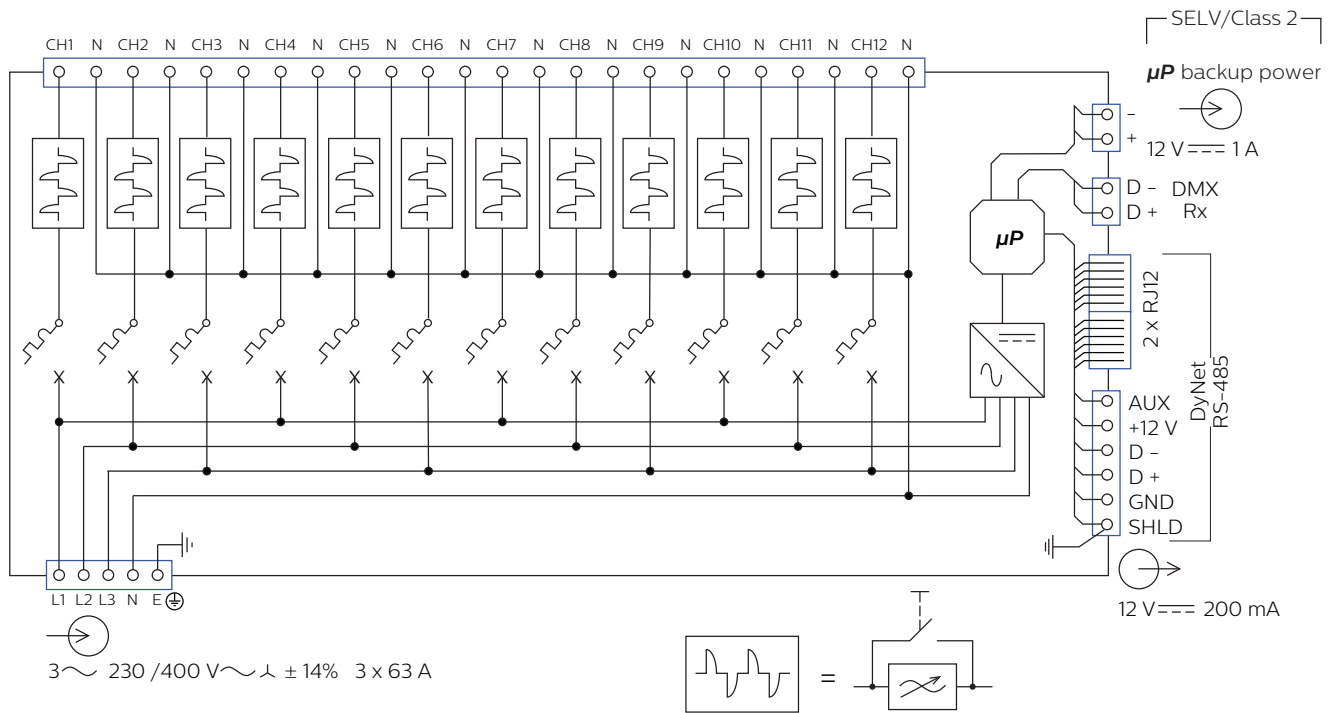
Operating Temperature	0° to 40°C ambient (32° to 104°F)
Storage/Transport Temperature	-25° to 70°C ambient (-13° to 158°F)
Humidity	0 to 90% non-condensing
IEC Pollution Degree	II

## Compliance

Certification	CE, RCM, UKCA, RoHS
---------------	---------------------

\* For indoor installation only

# Electrical



## Ordering Code

### Product

### Philips 12NC

DLE1220GL (Standard)

913703016009

DLE1220GL-RCBO (Earth leakage and overload protection)

913703016609



© 2021 Signify Holding. All rights reserved. Specifications are subject to change without notice. No representation or warranty as to the accuracy or completeness of the information included herein is given and any liability for any action in reliance thereon is disclaimed. Philips and the Philips Shield Emblem are registered trademarks of Koninklijke Philips N.V. All other trademarks are owned by Signify Holding or their respective owners.