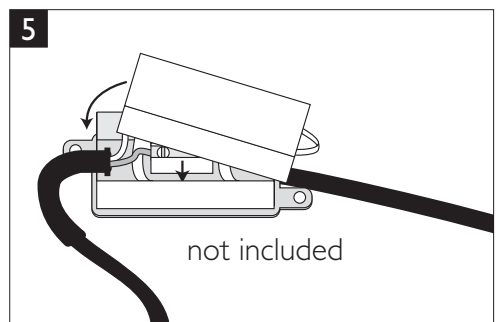
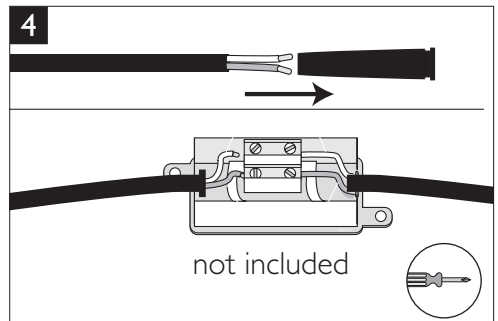
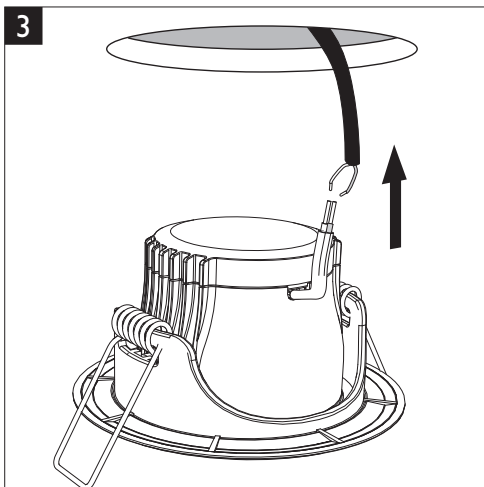
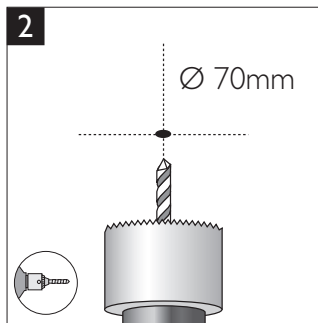
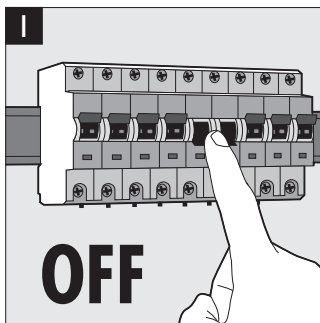
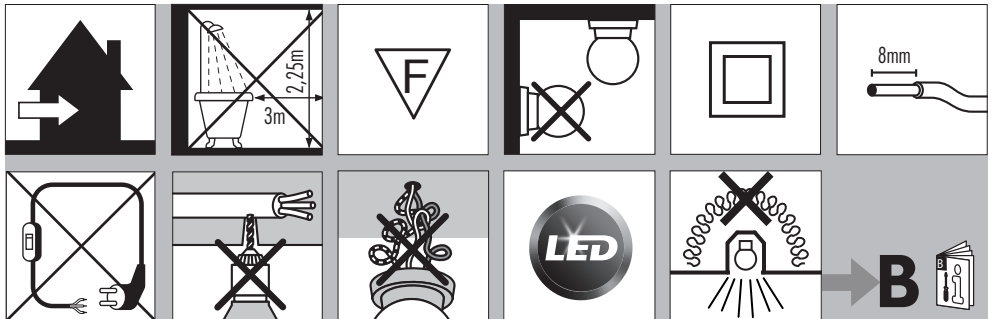




PHILIPS

4404.017.0080 I
Last update: 23/01/15



PHILIPS

