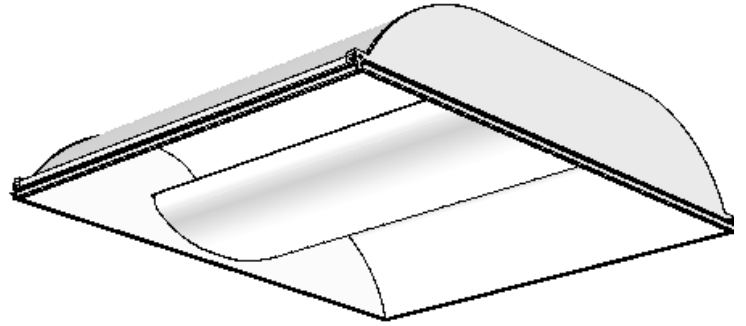
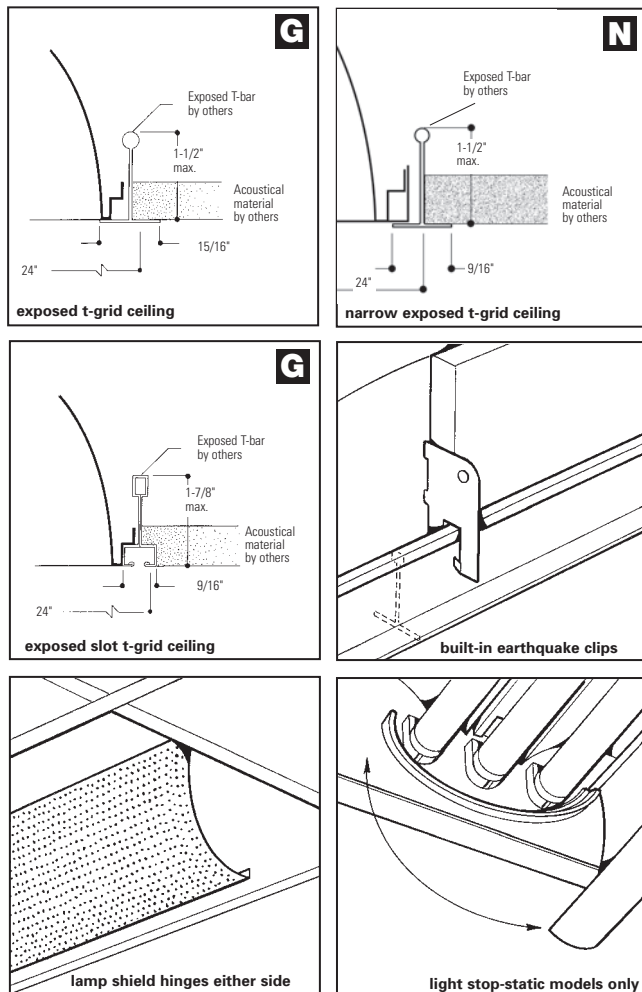


Features

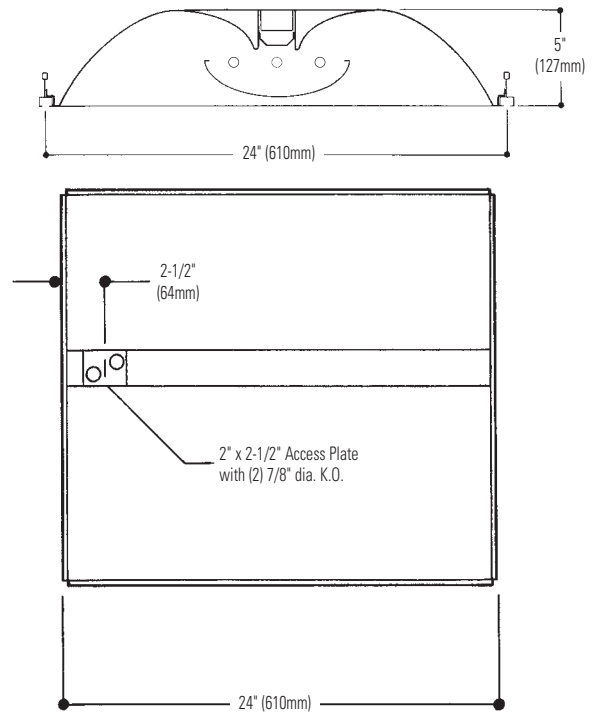
- Direct/indirect lamp shield appearance with soft contoured interior.
- Perforated mesh lamp basket with white acrylic overlay.
- Contoured body and ends.
- 76.6% efficient (2 lamp T5HO).
- 65.4% efficient (3 lamp T5HO).
- Spacing to mounting ratio 1.4 (2 or 3 lamp T5HO).
- Only 5" deep.
- Tension screws secure ends to body.
- Same fixture fits both G and T ceiling.
- Fits flush to face of slot grid (T) ceiling.
- Injection molded light stop at basket ends.
- Perforated lamp shield hinges from either side.
- Ballast accessible thru lamp compartment from room side.
- Can be continuous row mounted.
- Wiring access plate standard.
- Construction to meet NYC Code or Chicago Plenum requirement is available.



Mounting Methods



Dimensions



Job Information

Type:

Job Name:

Cat. No.:

Lamp(s):

Volts/Ballast:

For Factory Technical Information: (978) 657-7600 • Fax (978) 658-0595
631 Airport Road, Fall River, MA 02720 • (508) 679-8131 • Fax (508) 674-4710
We reserve the right to change details of design, materials and finish.
www.lightolier.com © 2009 a Philips Group

07/09

CFS2GPF224or324

Model No. CFS2GPF224UNVPG

LER = FP - 49.4 IW - 52.4 BF - 1.00
Comparative yearly lighting energy cost per
1000 lumens = \$4.86

Report Number: G2004250
Catalog Number: CFS2GPF224UNVPG
Lamps: (2) F24T5HO
Luminaire: Coffaire 2'x2' with
perforated basket.
Ballast: B224PUNV-C
Report is based on 2000 Lumens per lamp.
Efficiency: 67.2%
CIE Type-Direct-Indirect
Plane: 0-Deg 90-Deg
Spacing Criteria: 1.2 1.4
Shielding Angles: 90 90
Plane: 0-Deg 90-Deg
Luminous Length: 22.920 22.920

CANDELA DISTRIBUTION

	0.0	45.0	90.0	FLUX
0	928	928	928	
5	925	924	925	88
15	882	896	909	253
25	807	841	871	388
35	700	761	810	475
45	568	657	717	501
55	414	525	590	459
65	252	365	390	338
75	119	151	157	156
85	23	25	25	29
90	0	0	0	

COEFFICIENTS OF UTILIZATION – ZONAL CAVITY METHOD. EFFECTIVE FLOOR CAVITY REFLECTANCE 0.20

RC	80	50	30
RW	70	50	30
1	73	70	67
2	67	61	57
3	61	54	48
4	56	48	42
5	51	42	36
6	47	38	32
7	44	35	29
8	41	31	26
9	38	29	23
10	36	27	21

ZONAL LUMEN SUMMARY

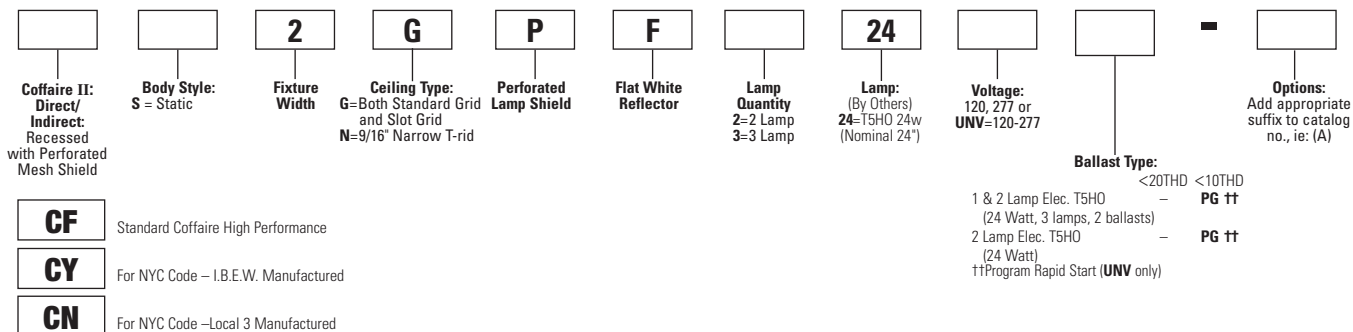
ZONE	LUMENS	% LAMP	% FIXT
0- 30	728	18.2	27.1
0- 40	1203	30.1	44.8
0- 60	2164	54.1	80.5
0- 90	2687	67.2	100.0
90-180	0	0.0	0.0
0-180	2687	67.2	100.0

LUMINANCE DATA IN CANDELA/SQ. METER

AVERAGE IN DEG.	AVERAGE 0-DEG.	AVERAGE 45-DEG.	AVERAGE 90-DEG.
45	2394.	2769.	3022.
55	2151.	2728.	3066.
65	1777.	2574.	2751.
75	1370.	1739.	1808.
85	787.	855.	855.

Ordering Information

Explanation of Catalog Number. Example: CFS2GPF224UNVPG



Options/Accessories

Fusing: Internal fast blow fusing: SUFFIX: **A**.
Internal slow blow fusing: SUFFIX: **C**.

Drywall Kit: Order Catalog Number: **FK92X2**.

Electrical Wiring Options: Consult factory.

Chicago Plenum: SUFFIX: **C**.

Specifications

Performance: In an installation of 2 lamp 24W luminaires in a room cavity ratio of 1, with reflectance 80% ceiling, 50% wall, 20% floor, the C.U. shall not be less than .70. To reduce glare the average brightness at 65° shall not exceed 2751 candelas per square meter. To control veiling reflections, luminaire output in the 30°-90° zone shall not be less than 72.9%.

Materials: Chassis parts are die-formed code gauge steel.

Lamp Shield: 22 gauge steel perforated mesh lamp shield with white acrylic overlay.

Finish: Chassis exterior – baked white post painted acrylic enamel. Cavity – baked white post painted acrylic enamel. Reflector – baked white post painted

Specifications (continued)

acrylic enamel, minimum 86% reflectance. Phosphate undercoating. **Lamp Shield** – baked flat white acrylic enamel.

Electrical: Thermally protected class "P" ballast C.B.M. approved, non PCB. If K.O. is within 3" of ballast, use wire suitable for at least 90°.

UL Listed for damp locations.

Labels: I.B.E.W./UL and ULc Listed.

This product may have a mercury containing lamp. Manage in accord with Disposal Laws. See: www.lamprecycle.org

Job Information

Type:

For Factory Technical Information: (978) 657-7600 • Fax (978) 658-0595
631 Airport Road, Fall River, MA 02720 • (508) 679-8131 • Fax (508) 674-4710
We reserve the right to change details of design, materials and finish.
www.lightolier.com © 2009 a Philips Group

CFS2GPF224or324