

## READ AND UNDERSTAND THESE INSTRUCTIONS BEFORE INSTALLING FIXTURE

This fixture is intended for installation in accordance with the National Electrical Code and local regulations. To assure full compliance with local codes and regulations, check with your local electrical inspector before installation. To prevent electrical shock, turn off electricity at fuse box before proceeding.

**Retain these instructions for maintenance reference.**

INSTRUCTION SHEET NO.

# IS:9153

0395

Page 1 of 1

## VARIABLE ANGLE CONNECTOR FOR USE WITH PROFILE, TRACK SYSTEMS ONLY

### WARNING:

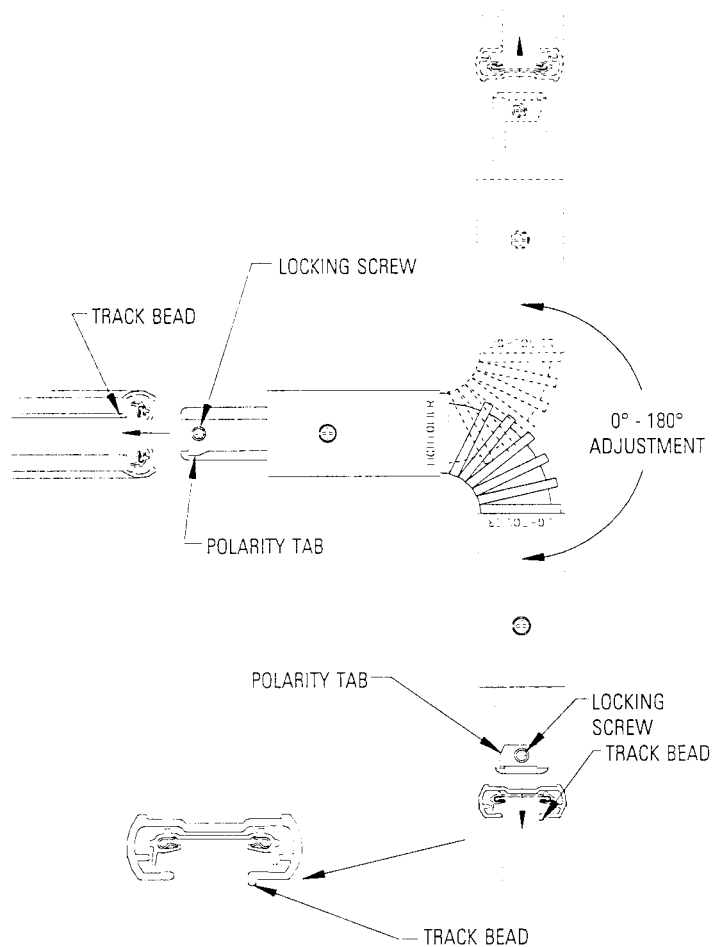
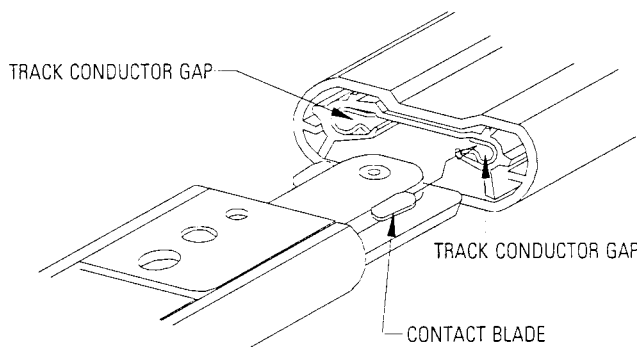
- **TURN OFF POWER AT FUSE BOX BEFORE INSTALLING ELECTRICAL CONNECTOR AND TRACK.**
- **THE CONNECTOR IS PRE-WIRED AND POLARIZED. THE CONNECTOR ALLOWS CONTINUATION OF POWER BETWEEN TWO TRACK SECTIONS. THE CONNECTOR MAY BE ADJUSTED TO ANY ANGLE BETWEEN 0° AND 180° (SEE DIAGRAM).**
- **POWER CANNOT BE FED INTO THE VARIABLE ANGLE CONNECTOR.**

### A. ADJUST CONNECTOR FOR DESIRED PATTERN.

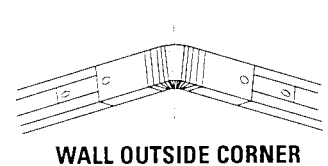
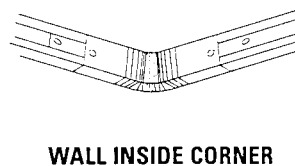
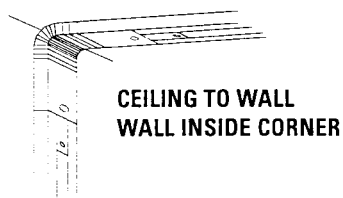
The polarity tabs on the connector must point away from the TRACK BEADS. The TRACK BEADS must be in-line for the connector to insert properly.

### B. INSTALLING ELECTRICAL CONNECTOR

1. Point the POLARITY TAB away from the BEAD on the track.
2. Insert ELECTRICAL CONNECTOR into track. Ensure CONTACT BLADES insert into the TRACK CONDUCTOR GAPS.
3. Tighten LOCKING SCREWS.
4. Mount Track per instruction sheet IS:9100, included with the track unit.



### C. OTHER APPLICATIONS FOR VARIABLE CONNECTOR



# LIGHTOLIER®

FALL RIVER, MASSACHUSETTS, 02720  
MONTREAL, QUEBEC, CANADA