

PHILIPS

INSTALLATION INSTRUCTIONS: STEPLYTES AND AREA/WALKWAY

RS_3,RR_3,RS_2,RR_1,WL_2,WL_3,WL_1,WL_8,AS04,AS05,AS02,
AS03,SP-215,SP-217,SP-210,SP-200,SP-201,SP-203,SP-204,SP-206
SP-207,SP-214,SP-216

INSTRUCTION SHEET CONTENTS

SHEET 1 - General Overview

SHEET 2 - Housing Installation

SHEET 3 - Mounting Templates

NOTE: (THROUGH WIRING)

RSB2, RSF2, RSS2, RSC2, RSV2, WLA1, WLB1, AS02, SP-203,
SP-204, SP-206, SP-200, SP-201, SP-207

Through wiring possible for 12 ga. wire maximum.

RRB1, RRC1, RRF1, WLA8 through wiring not available.



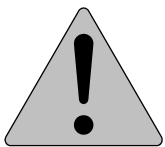
This fixture is intended for installation in accordance with the National Electrical Code and local code specifications. Failure to adhere to these codes and instructions may result in serious injury and/or damage to the ballast and void the warranty. These instructions do not purport to cover all details or variations in equipment, nor to provide for every possible contingency related to installation, operation, maintenance, or mounting situation. Should specific problems occur that are not addressed by these instructions, contact your Sales Representative or distributor for assistance. Retain these instructions for future reference.



SAFETY WARNING:

ALWAYS TURN FIXTURE OFF/DISCONNECT POWER AND ALLOW TO COOL BEFORE PERFORMING ANY MAINTENANCE, INCLUDING RELAMPING AND CLEANING!

This fixture can become very HOT! The fixture housing and lens, especially if it is glass, can become hot enough to blister hands. Attention should be paid to where the fixture is mounted, particularly if it can be touched by children or pets. To help prevent premature failure, decreased performance, overheating and risk of fire, keep fixture and lens clean and free of leaves, mulch, debris and mineral deposits from water. The fixture and lens can be cleaned using a soft cloth and a solution of mild liquid soap and warm water. Wipe clean and dry with a soft, lint-free dry cloth. Avoid polishing fixture or lens.



INSTRUCTIONS PERTAINING TO A RISK OF FIRE OR INJURY TO PERSONS IMPORTANT SAFETY INSTRUCTIONS - SAVE THESE INSTRUCTIONS!

WARNING - Lamp gets HOT quickly! To reduce the risk of FIRE OR INJURY TO PERSONS:

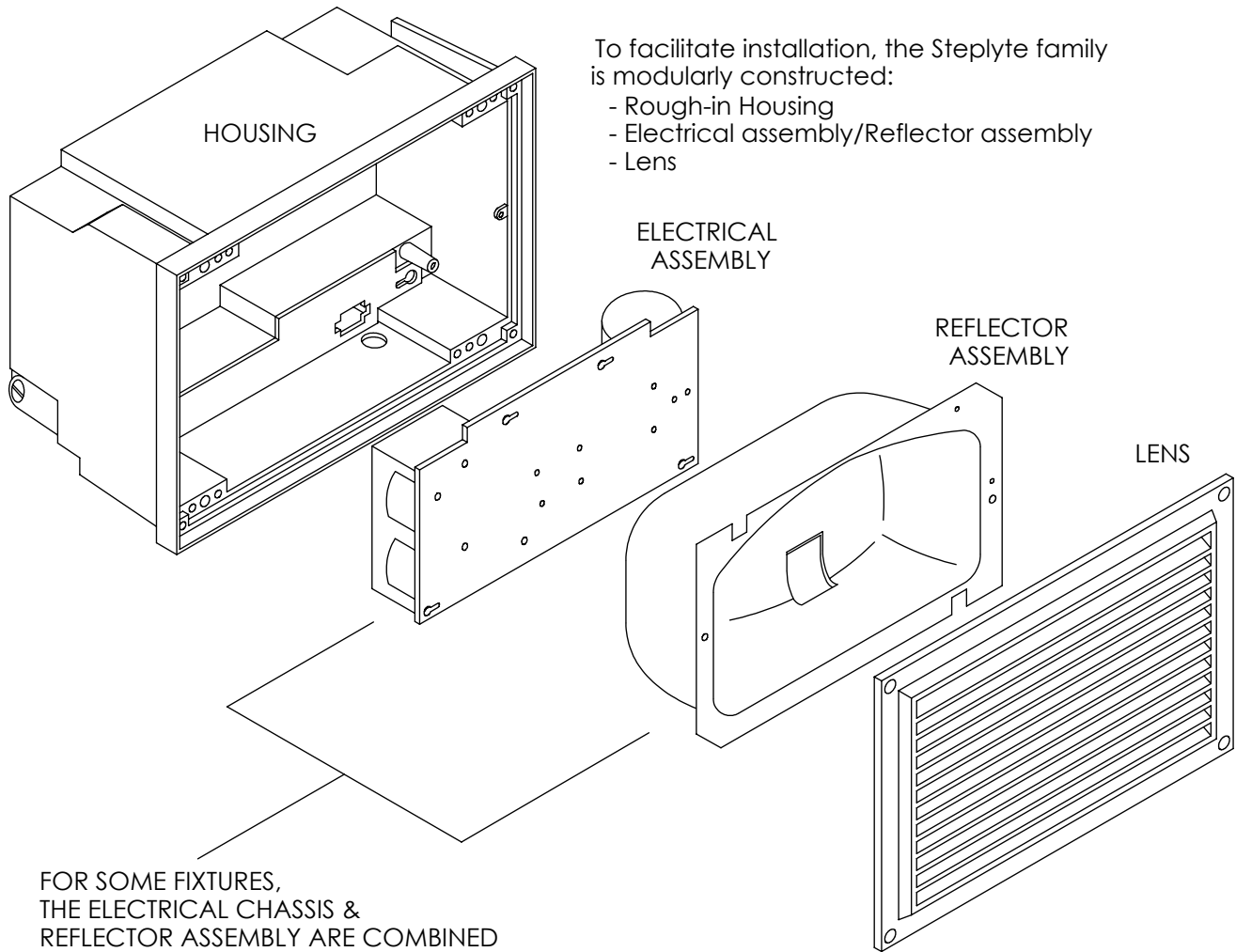
Do not operate fixture with a missing or damaged lens/lens assembly.

Contact only switch or plug when turning fixture on or off. Do NOT touch hot lens or housing.

Turn off or unplug fixture and allow to cool before relamping. Keep lamp away from combustibles.

Do NOT touch lamp with bare hands at any time, use a soft cloth as oil from skin may damage lamp.

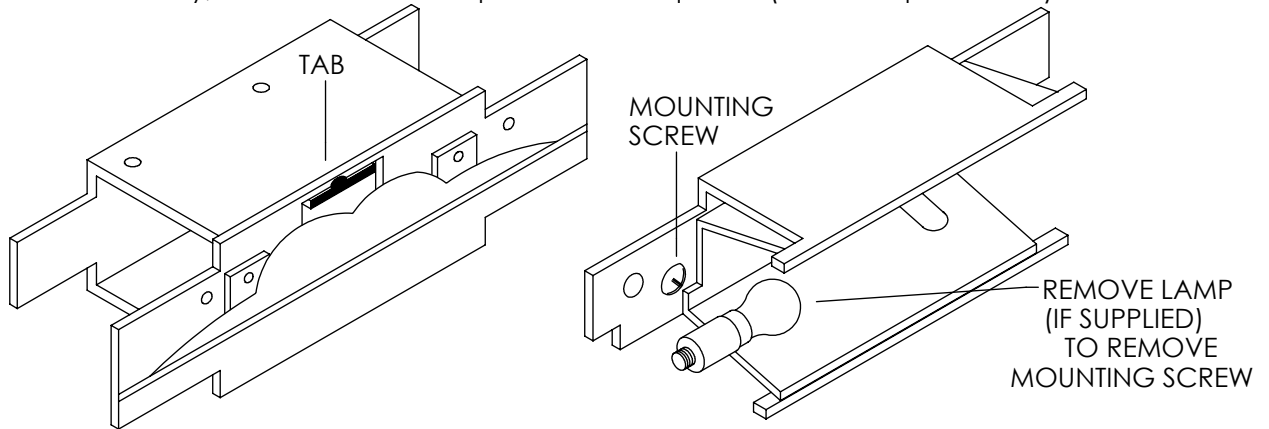
GFI PROTECTION! 120 volt fixtures which may come in contact with or be exposed to moisture (i.e. outdoors) shall be installed on a GFI (Ground Fault Interruptor) protected circuit.



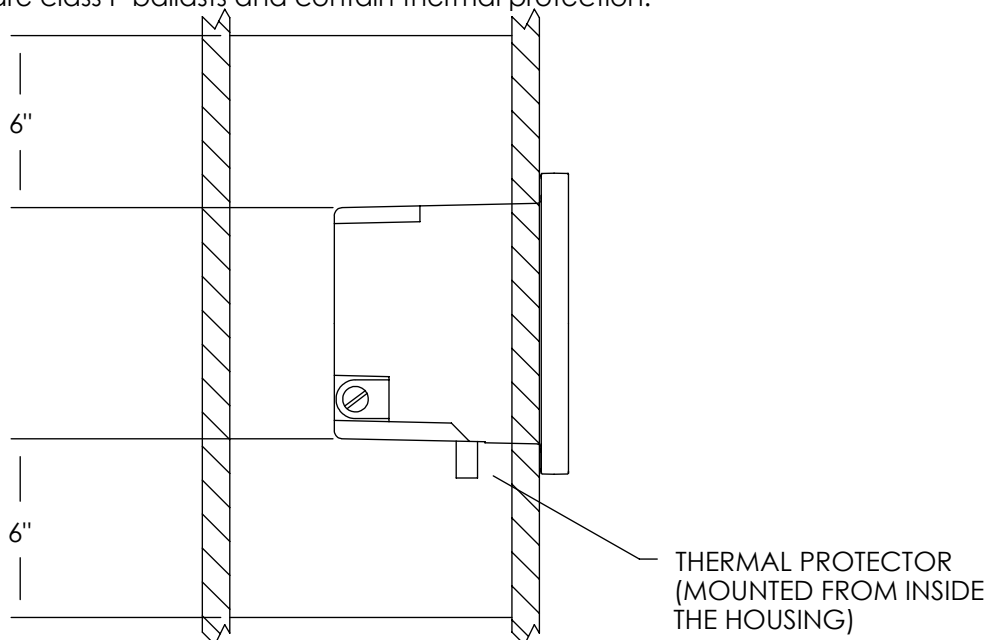
To facilitate installation, the Steplyte family is modularly constructed:

- Rough-in Housing
- Electrical assembly/Reflector assembly
- Lens

1. Remove unit from carton.
 - 1.1 Remove lens.
 - 1.2 Remove reflector assembly.
 - 1.3 Remove electrical chassis.
 - 1.3.1 12"X8" Rectangular and 9" Round units have a key slotted electrical chassis; loosen screws and remove chassis
 - 1.3.2 9"X3" Rectangular and 4" Round units have a combined reflector/ chassis assembly; remove screw or depress tab as required. (see examples below)



2. Using enclosed sheets, install rough-in housing per NEC and local electrical codes.
 - 2.1 For internal or external, new or existing, plasterboard or wood installation, a thermal protector is required and insulation is to be a minimum of six (6) inches from sides of housing. Install thermal protector by removing 1 inch snap-in plug and pushing protector into hole.
 - 2.2 Thermal protection is not required for masonry or brick installations. Thermal protection is also not required for fluorescent lampings since Recessed Steplyte ballasts are class P ballasts and contain thermal protection.



3. Re-assemble fixture.

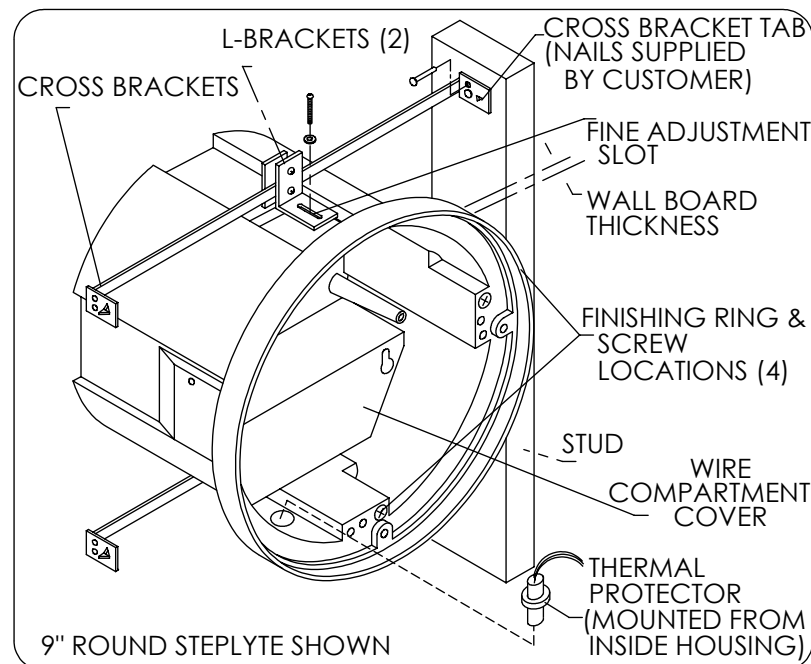
CAUTION! Turn power on only when fixture is completely re-assembled.
Always turn power OFF when re-lamping or servicing fixture.



FOR ROUND STEPLYTES AND AREA/WALKWAY FIXTURES

GFI PROTECTION! 120 volt fixtures which may come in contact with or be exposed to moisture (i.e. outdoors) shall be installed on a GFI (Ground Fault Interruptor) protected circuit.

INSTALLATION FOR NEW STUD WALL
(USE ACCESSORY KIT #MAKNS OR #BMAKNS)

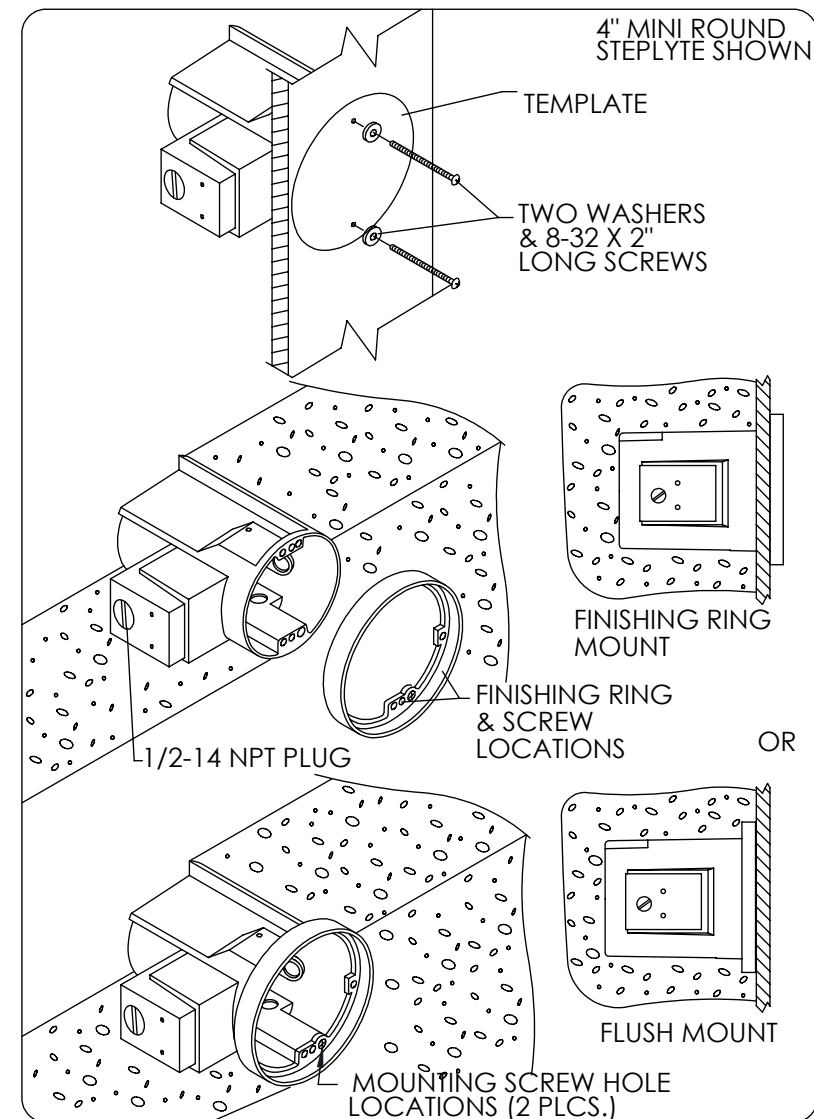
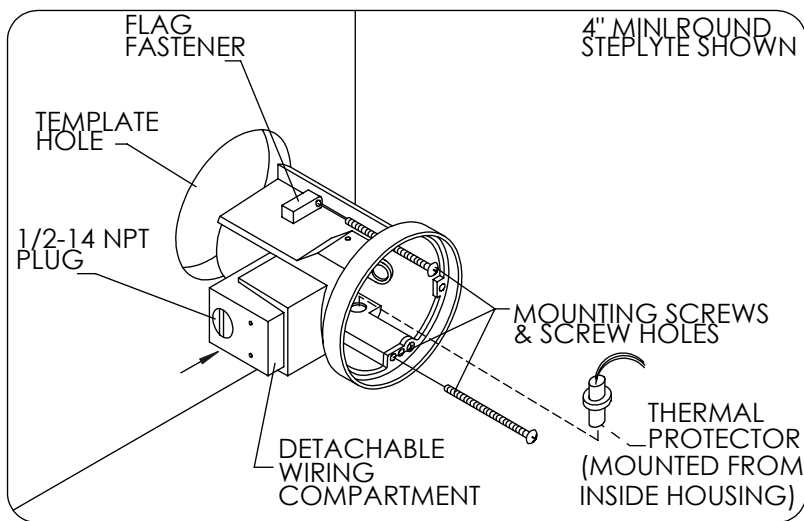


1. Using the template supplied, cut a level hole through the wall board to fit around the fixture housing. Failure to level hole will cause the fixture to have a tilted appearance.
2. Mount L-brackets onto top and bottom of housing with screws positioned in center of slots and insert cross brackets through L-brackets.
3. Position the fixture so that the back of the finishing ring extends past the studs by the thickness of the wall board.
4. Level fixture and hammer tabs on cross brackets into studs, then nail brackets securely to studs.
5. Fine adjust fixture position and tighten any loose screws.
6. Remove the 1/2" NPT plugs from the sides/bottom of the housing and pull the supply wire through into the housing. (Through wiring is not recommended for mini round steplytes.)
7. Remove finishing ring by removing flat head phillips screws. Install wall board.
8. Replace finishing ring.
9. Install thermal protector (attached to electrical chassis.)

screw and push wiring compartment into housing

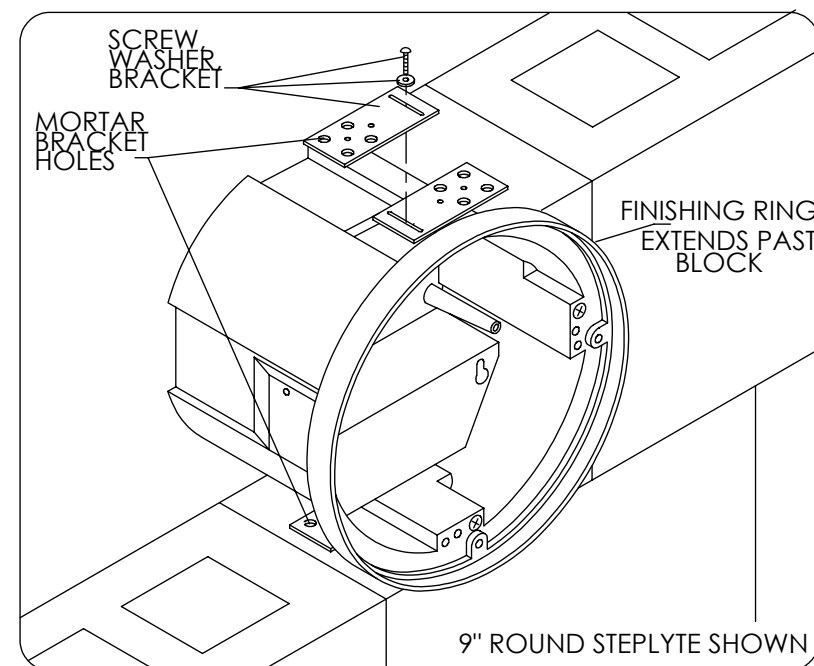
1. Using the template supplied, cut a level hole through the existing wall between existing studs. Failure to level hole will cause the fixture to have a tilted appearance
 2. Push the two mounting screws through the housing holes and into channels as shown. (Note: Thin membrane covers the housing holes and may require forcing the screws through to penetrate membrane.)
 3. Place flags flat on rear of housing and thread screws into flags until the screws are completely through the flags.
 4. Remove the 1/2" NPT plugs from the sides/bottom of the housing and pull the supply wire through into the housing. (Through wiring is not recommended for mini round Steplytes)
 5. For mini round steplytes, remove wire compartment
 6. Push housing into the hole in the wall and tighten the mounting screws until the flag fasteners have drawn tightly against the rear surface of the wall.
 7. For mini round steplyte, push the wiring compartment back into the original position and replace screw.
 8. Install thermal protector (attached to electrical chassis.)
- NOTE: Factory recommends using two kits when installing larger steplyte in drywall.

INSTALLATION FOR EXISTING STUD WALL
(USE ACCESSORY KIT #MAKES OR #BMAKES)



INSTALLATION FOR CONCRETE POUR
(HARDWARE INCLUDED WITH EACH FIXTURE)

1. Level supplied template on wood support frame and drill designated 3/16" diameter clearance holes.
2. Remove the 1/2" NPT plugs from the sides/bottom of the housing and pull the supply wire through into the housing. (Through wiring is not recommended for mini round steplytes.)
3. Install the plastic protective shield (if supplied) into the housing and be sure all unused electrical plugs are replaced. Finishing ring may be removed now and replaced on housing after concrete pour.
4. Secure housing to wood support with screws supplied in hardware packet.
5. Pour concrete.
6. If finishing ring was removed, replace it and tighten flat head screws. If screws are not tight, fixture may leak.



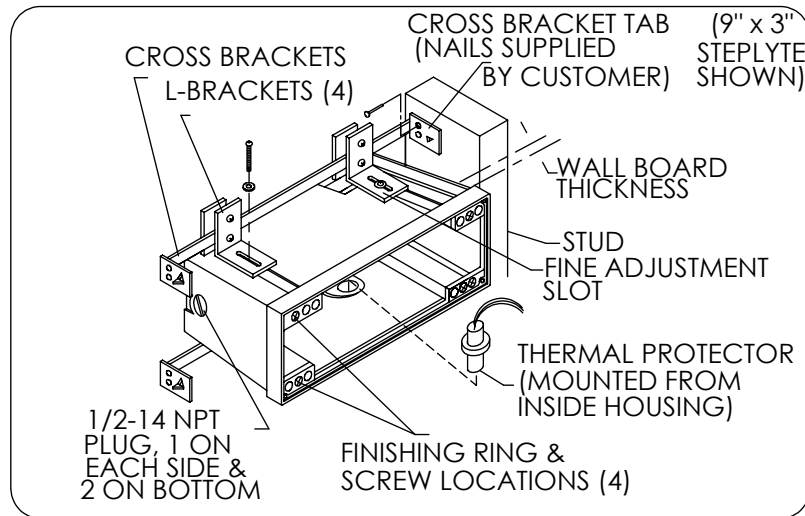
INSTALLATION FOR MASONRY
(USE ACCESSORY KIT #MAKM OR #BMAKM)

1. Install screw through washer and lower masonry brackets and into tapped housing hole on bottom of fixture.
2. Remove the 1/2" NPT plugs from the sides/bottom of the housing and pull the supply wire through into the housing. (Through wiring is not recommended for mini round steplytes.)
3. Press fixture and lower masonry brackets into layer of mortar so that the mortar comes through the holes of the masonry brackets.
4. After laying another course of blocks, install the two upper masonry brackets onto the housing as in step 1.

FOR RECTANGULAR STEPLYTES AND AREA/WALKWAY FIXTURES

INSTALLATION FOR NEW STUD WALL

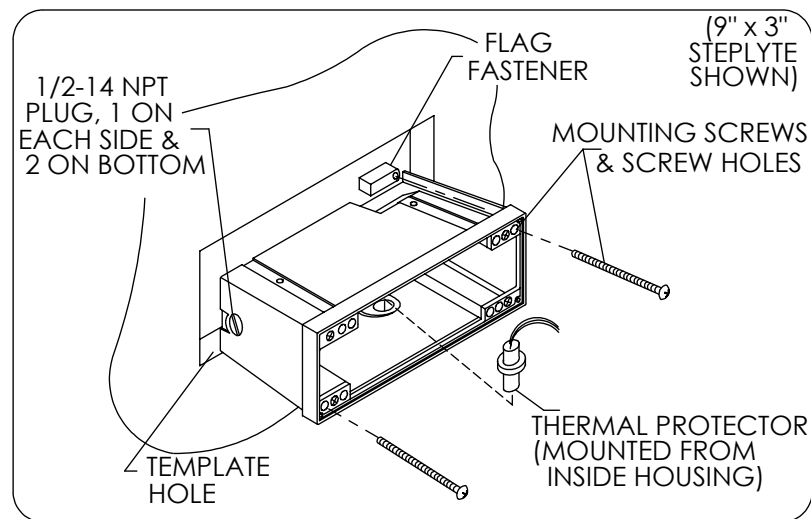
(USE ACCESSORY KIT #MAKNS OR #BMAKNS)



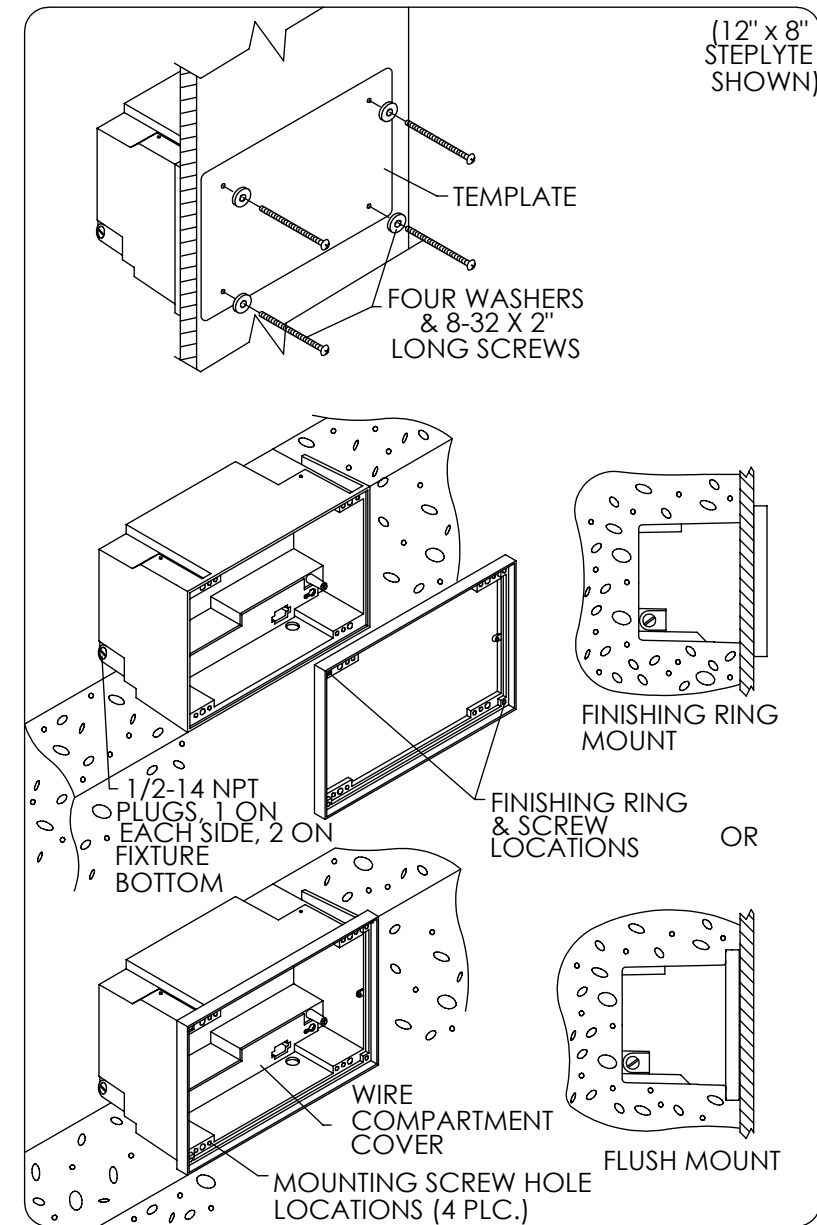
1. Using the template supplied, cut a level hole through the wall board to fit around the fixture housing. Failure to level hole will cause the fixture to have a tilted appearance.
2. Mount L-brackets onto housing 4 places with screw positioned in center of slot and insert cross brackets through the L-brackets on top and bottom of housing.
3. Position fixture so that the back of the finishing ring extends past the studs by the thickness of the wallboard.
4. Level fixture and hammer tabs on cross brackets into studs, then nail brackets securely to studs.
5. Fine adjust fixture position and tighten all loose screws.
6. Remove the 1/2" NPT plugs from the side/bottom of the housing and pull the supply wire through into the housing.
7. Remove finishing ring by removing four flat head screws. Install wall board.
8. Replace finishing ring.
9. Install thermal protector (attached to electrical chassis.)

INSTALLATION FOR EXISTING STUD WALL

(USE ACCESSORY KIT #MAKES OR #BMAKES)

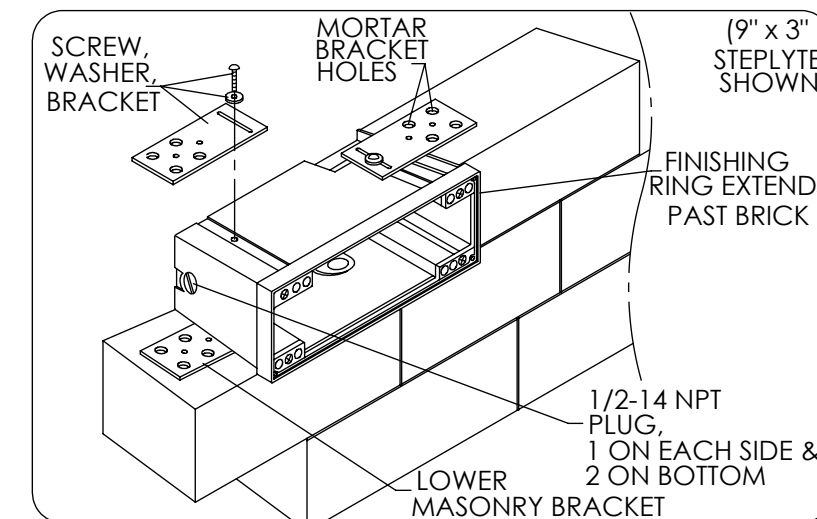


1. Using the template supplied, cut a level hole through the existing wall between existing studs. Failure to level hole will cause the fixture to have a tilted appearance.
 2. Push the two mounting screws through the housing holes and into channels as shown. (Note: Thin membrane covers the housing holes and may require forcing the screws through to penetrate membrane.)
 3. Place flags flat on rear of housing and thread screws into flags until the screws are completely through the flags.
 4. Remove the 1/2" NPT plugs from the side/bottom of the housing and pull the supply wire through into the housing.
 5. Push housing into the hole in the wall and tighten the four mounting screws until the flag fasteners have drawn tightly against the rear surface of the wall.
 6. Install thermal protector (attached to electrical chassis.)
- NOTE: Factory recommends using two kits when installing larger steplyte in drywall.



INSTALLATION FOR CONCRETE POUR
(HARDWARE INCLUDED WITH EACH FIXTURE)

1. Level supplied template on wood support frame and drill four (4) 3/16" diameter clearance holes.
2. Remove the 1/2" NPT plugs from the side/bottom of the housing and pull the supply wire through into the housing.
3. Install plastic protective shield (if supplied) into housing and be sure all unused electrical plugs are replaced. Finishing ring may be removed now and replaced onto housing after concrete pour.
4. Secure housing to wood support with screws supplied in hardware packet.
5. Pour concrete.
6. If finishing ring was removed, replace it and tighten four flat head screws. If screws are not tight, fixture may leak.

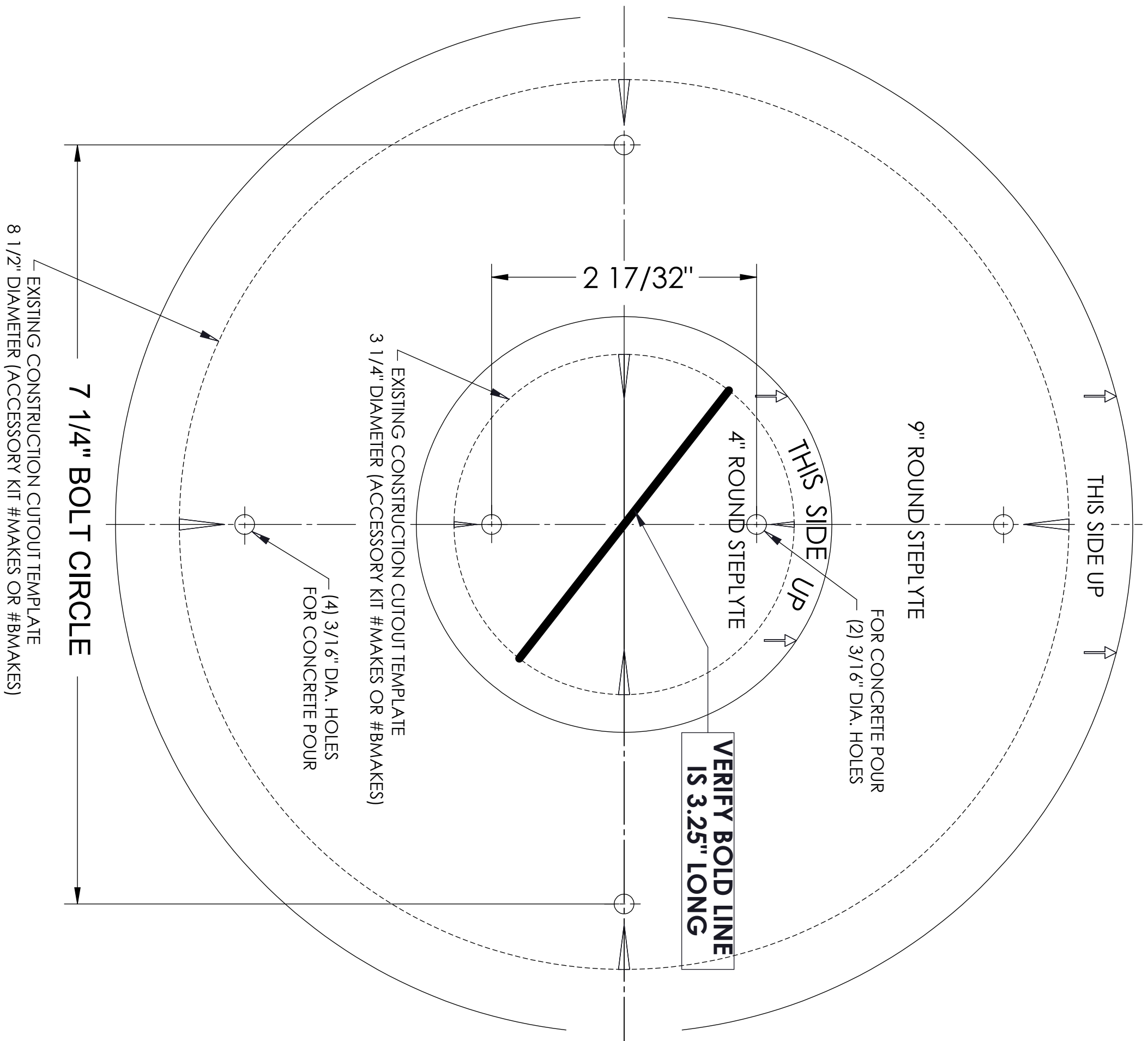


INSTALLATION FOR MASONRY
(USE ACCESSORY KIT #MAKM OR #BMAKM)

1. Install two screws through washers and lower masonry brackets and into tapped housing holes on bottom of fixture.
2. Remove the 1/2" NPT plugs from the side/bottom of the housing and pull the supply wire through and into the housing.
3. Press fixture and lower masonry brackets into layer of mortar so that the mortar penetrates through the holes of the masonry bracket.
4. After laying another course of blocks, install the two upper masonry brackets onto the housing as in step 1.

TEMPLATES FOR ROUND FIXTURES

NOTE: LEVEL TEMPLATE BEFORE DRILLING
OR CUTTING



TEMPLATES FOR RECTANGULAR FIXTURES

