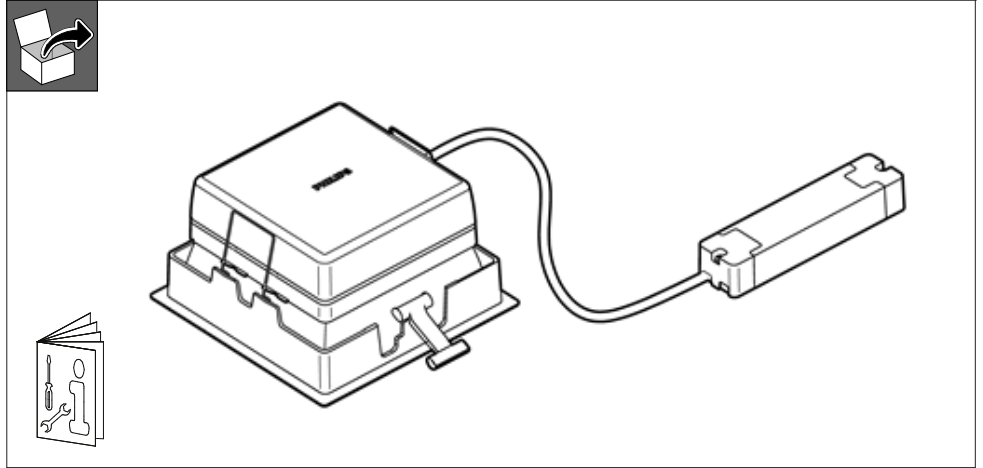


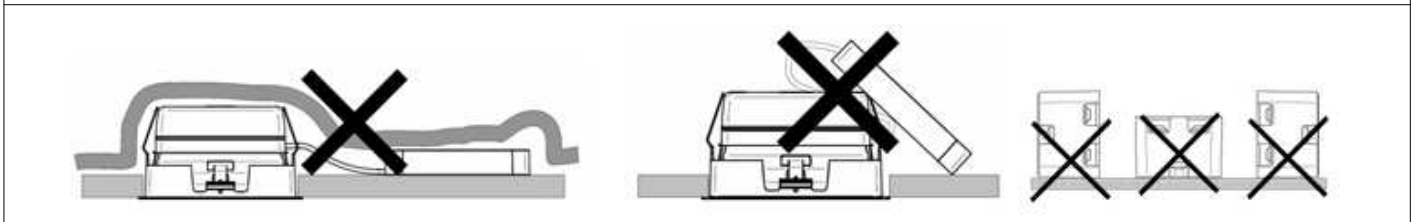
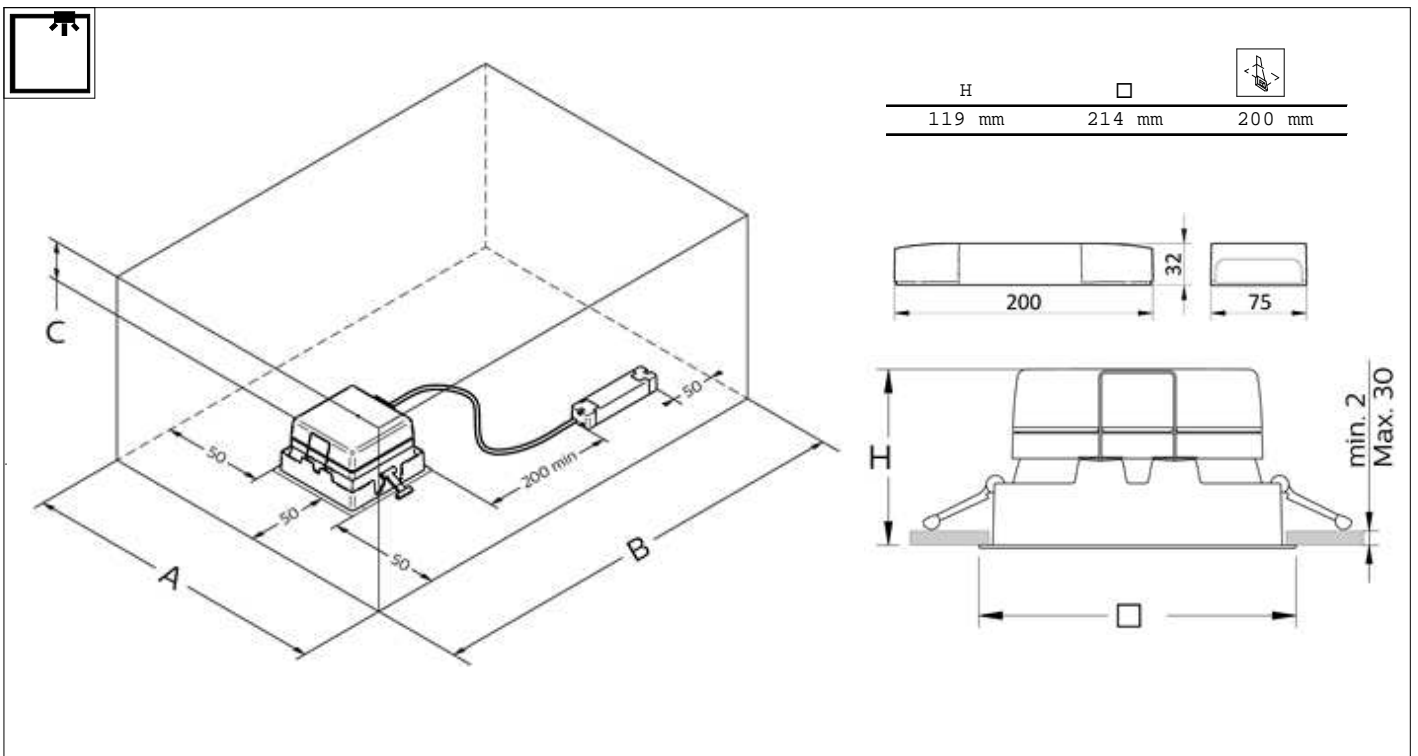
PHILIPS

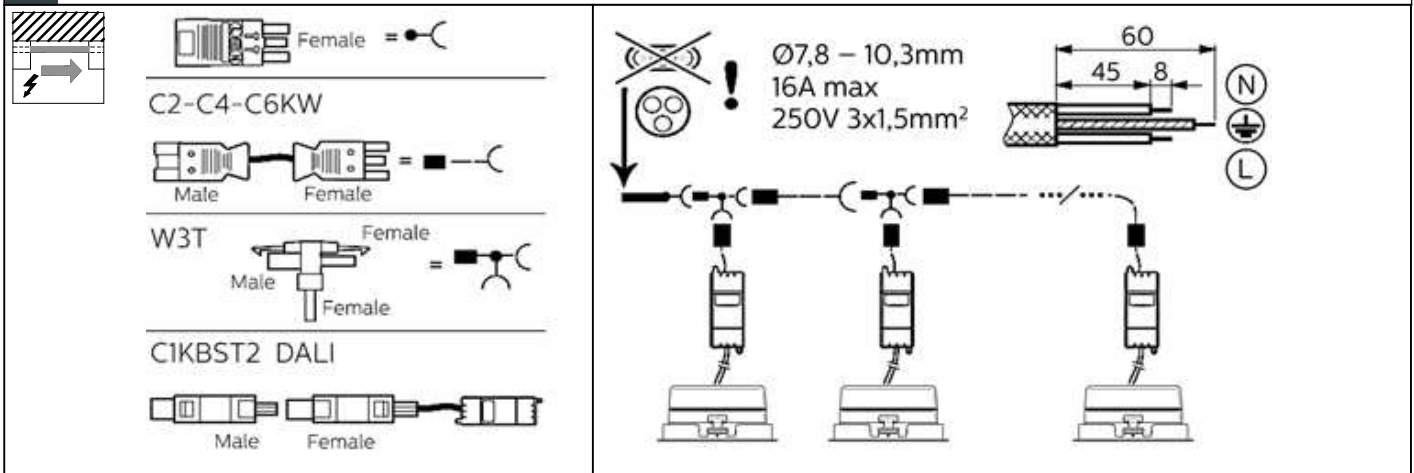
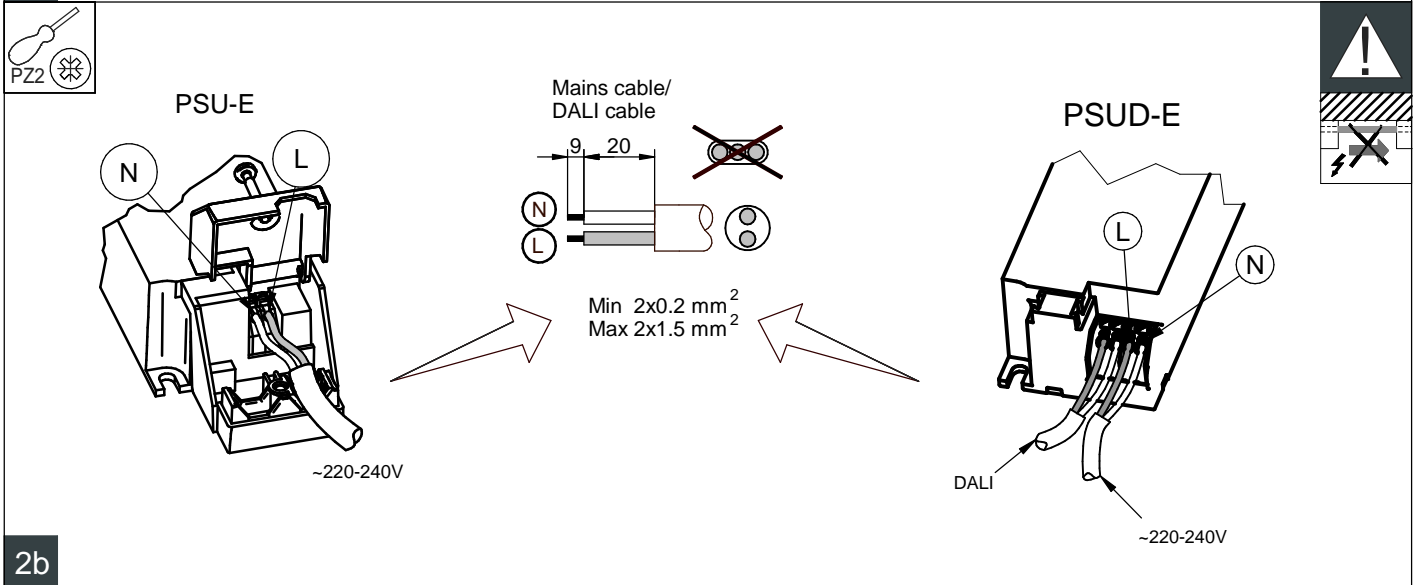
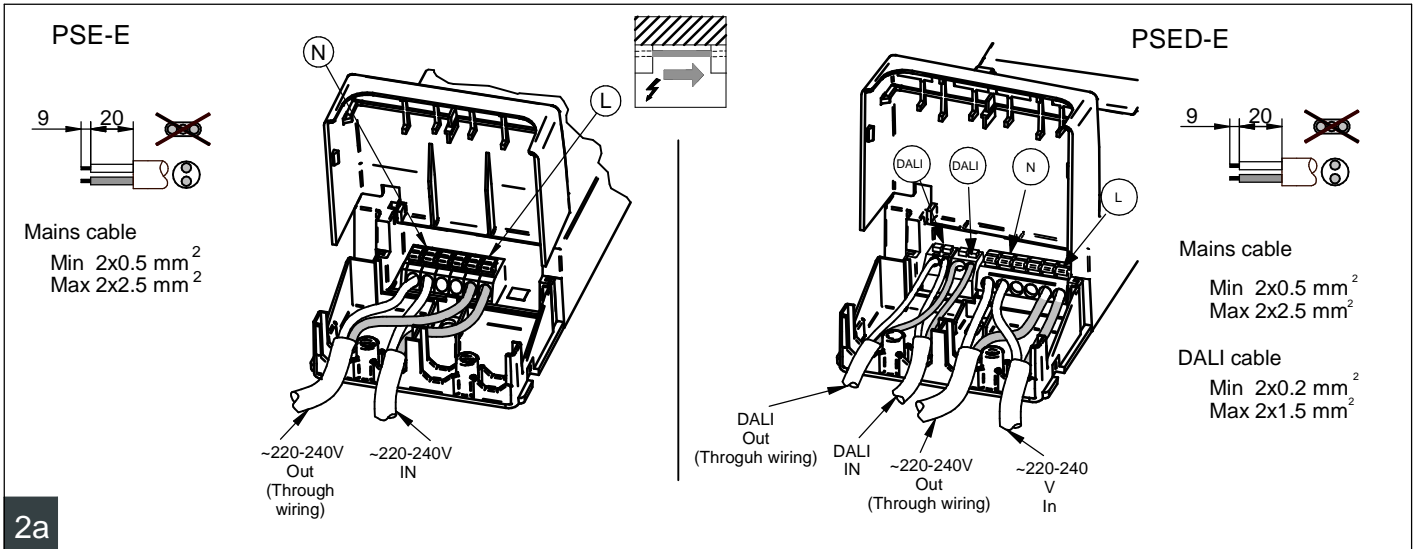
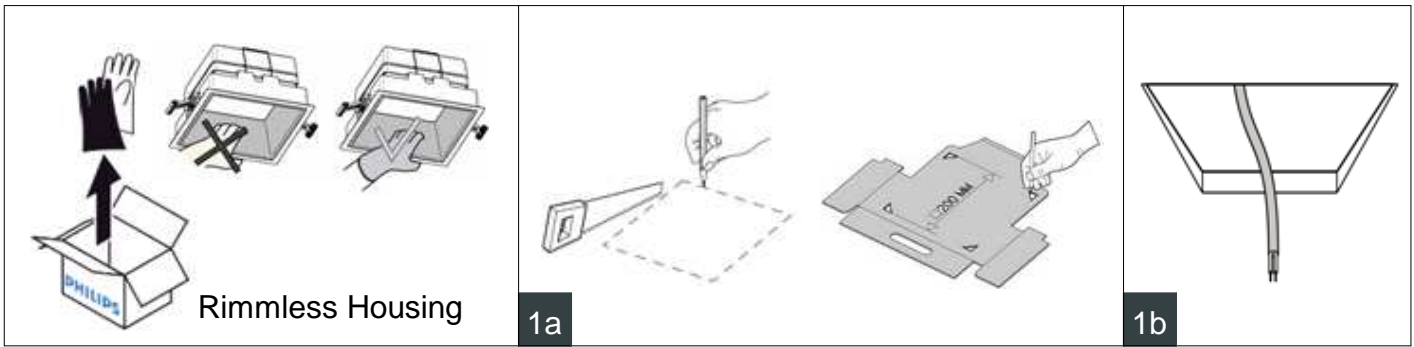
LUXSPACE2 Square

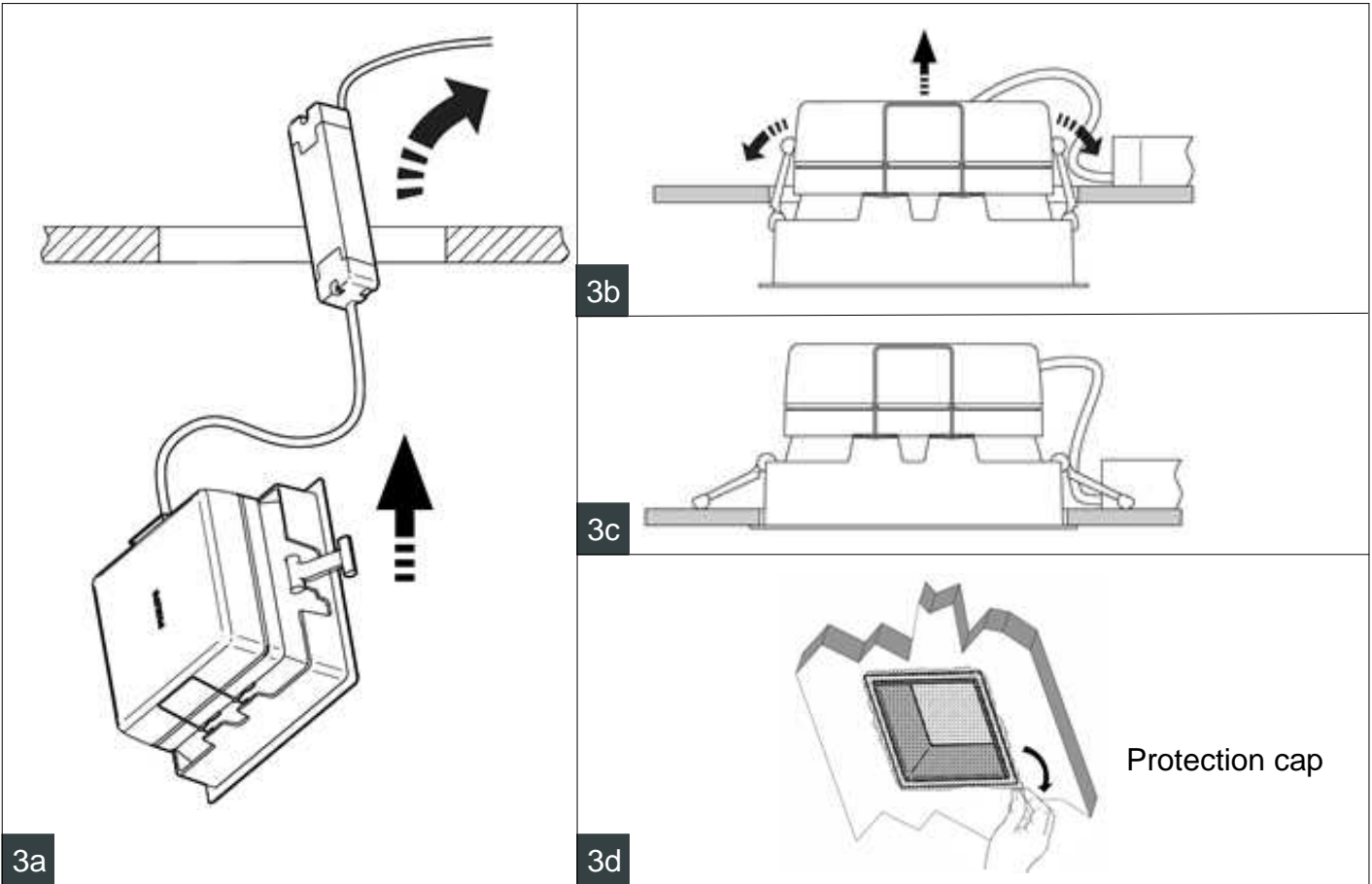
DN572B



		A	B	C	CCT/CRI	P	P max	
DN572B	LED12S	300mm	700mm	≥3mm	830/840	11 W	12 W	1,17 kg
DN572B	LED12S	300mm	700mm	≥3mm	927/930	13 W	14,4 W	1,17 kg
DN572B	LED20S	300mm	700mm	≥3mm	830/840	17,6 W	19,4W	1,17 kg
DN572B	LED20S	300mm	700mm	≥3mm	927/930	21,8W	24W	1,17 kg
DN572B	LED24S	300mm	700mm	≥3mm	830/840	21,8W	24W	1,17 kg
DN572B	LED24S	300mm	700mm	≥3mm	927/930	26,8W	29,6W	1,17 kg







3a

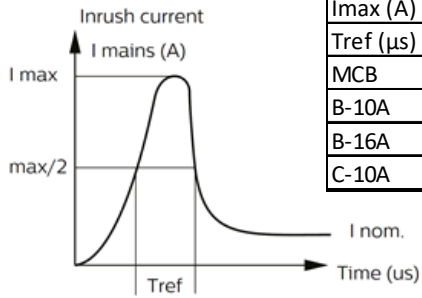
3b

3c

3d

Protection cap

DALI dimming range 1-100%



	Xtitanium 20W/m 0.15- 0.5A 54V 230V	Xtitanium 36W/m 0.3- 1.05A 54V 230V	Xtitanium 20W WH 0.15-0.5A 54V Is	Xtitanium 36W WH 0.3- 1.05A 54V Is	Xtitanium 20W WH 0.15-0.5A 54V TD/Is CL	Xtitanium 36W WH 0.3- 1A 54V TD/Is CL	XITANIUM 36W/M 0.3- 1.05A 54V TD
Inom (A)	0.12	0.2	0.11	0.19	0.11	0.19	0.2
Imax (A)	18	18	15.8	16	20.4	20.4	18
Tref (μs)	250	250	224	216	195	195	250
MCB	Max number of drivers						
B-10A	x21	x21	x21	x21	x15	x15	x21
B-16A	x34	x34	x36	x36	x24	x24	x34
C-10A	x34	x34	x34	x34	x24	x24	x34

CLO Version

		CCT/CRI	Pmax (W)	
			@ t=0h	@ t=50kh
DN572B	LED12S	830/840	9	11
DN572B	LED12S	927/930	10	13
DN572B	LED20S	830/840	14	17,6
DN572B	LED20S	927/930	17	21,8
DN572B	LED24S	830/840	17	21,8
DN572B	LED24S	927/930	21	26,8

CLO Table		
Step	time (h)	P %
	0	80%
1	3000	81%
2	7000	83%
3	10000	84%
4	13000	85%
5	17000	87%
6	20000	88%
7	23000	89%
8	27000	91%
9	30000	92%
10	33000	93%
11	37000	95%
12	40000	96%
13	43000	97%
14	47000	99%
15	50000	100%



DO NOT REPROGRAM THE DRIVER
Constant light Output Option stopped @ 50 000h



©2017 Philips Lighting Holding B.V.

All rights reserved. Reproduction in whole or in part is prohibited without the prior written consent of the copyright owner. The information presented in this document does not form part of any quotation or contract, is believed to be accurate and reliable and may be changed without notice. No liability will be accepted by the publisher for any consequence of its use. Publication thereof does not convey nor imply any license under patent- or other industrial or intellectual property rights.

Philips Lighting Holding B.V.
The Netherlands