

**PHILIPS**  
**Day-Brite**  
**CFI**

Healthcare

SurgiCare Sealed  
Troffer 1x4

SSTRG14 & SSTRF14  
T8, T5, or T5HO



Project: \_\_\_\_\_  
 Location: \_\_\_\_\_  
 Cat.No: \_\_\_\_\_  
 Type: \_\_\_\_\_  
 Lamps: \_\_\_\_\_ Qty: \_\_\_\_\_  
 Notes: \_\_\_\_\_

The Philips Day-Brite / CFI SurgiCare Sealed Troffer is designed for the illumination, electrical shielding and infection control requirements of the surgical suite. The asymmetric/symmetric light distribution provides ambient illumination while contributing supplemental illumination for the surgical field. The housing is fully sealed to minimize potential room contamination and simplify cleaning.

**Ordering guide**

example: SSTRG143T82772HALPDSTA1ASMEM1

Model No.	No of Lamps*	Lamp Type	Voltage	No. of Circuits	Housing Material	Door Frame Material	Door Mounting	Lens	Options
<input type="text"/>	<input type="text"/>	<input type="text"/>	<input type="text"/>	<input type="text"/>	HALP	<input type="text"/>	<input type="text"/>	<input type="text"/>	<input type="text"/>
SSTRG14 SurgiCare Sealed 1x4 Grid model	2 3 <sup>1</sup> 2 <sup>1</sup> 3 lamps (2 white / 1 green)	T8 F32T8 T5 F14T5 T5HO F54T5HO	120 277 120D <sup>2</sup> (0-10V dimming)	1 <sup>4</sup> 2 <sup>1,4</sup>	HALP .050" aluminum	DST 18 ga. cold rolled steel DALD Painted silver extruded aluminum DALP Painted white extruded aluminum	A1 Stainless steel hinge/screws A2 Stainless steel screws/dual aircraft safety cables	ASM Asymmetric/symmetric lens SYM Symmetric lens	EM1 <sup>5</sup> 1-lamp emergency ballast battery back-up (90 min.) EM2 <sup>2</sup> 2-lamp emergency ballast battery back-up (90 min.) 1/2 One 2-lamp ballast 1/3 One 3-lamp ballast 2/1 Two 1-lamp ballasts 1/21 2-lamp & 1-lamp ballasts EB Electronic ballast, <20% THD EBD Electronic dimming ballast EB10I T8 electronic ballast, instant start, <10% THD EB10R Elec. ballast, program rapid start, <10% THD SBF Slow blow fuse TBC T-bar support clips
SSTRF14 SurgiCare Sealed 1x4 Flange model			277D <sup>3</sup> (0-10V dimming)						

**Footnotes**

- \* See standard lamp chart on page 3.
- 1 Not available for T5HO models.
- 2 Available for T8 models only.
- 3 Not available for T5 models.
- 4 Must specify ballast quantity and type listed under options.
- 5 UL Listed (not CUL)

# SSTRG14 & SSTRF14 SurgiCare Sealed Troffer 1x4

T8, T5, or T5HO

## Features

- Removable electrical gear trays, centralized wiring compartment and continuous hinged door allows simplified installation and servicing.
- Seamless door frame, antimicrobial paint finish and smooth room-side lens supports infection control efforts.
- Meets MIL-STD 461F, wet location listed and is IP65 rated.

## Specifications

- **Construction:** Fully sealed .050" aluminum housing with seam welded construction. Housing painted after fabrication.
- **Door Frame:** Seamless door frame formed from 18 gauge cold rolled steel. Full length, stainless steel hinge and stainless steel Phillips head screws secure frame to the housing. Screws are captive and flush to the door frame. Full length, galvanized steel brackets secure the lens to the frame. A continuous high density microcellular polyurethane foam gasket provides a seal between the door frame and housing.
- **Lens:** SSTR utilizes either an asymmetric/symmetric or symmetric dual lens assembly. The asymmetric/ symmetric assembly has an asymmetric/symmetric linear prism acrylic lens (with a nominal thickness of .125") positioned behind a clear acrylic lens (with a nominal thickness of .125"). The symmetric assembly has a pattern 12 prismatic acrylic lens (with a nominal thickness of .125") positioned behind the clear acrylic lens. The external clear lens provides a smooth room-side surface for easy cleaning and is sealed to the door frame with a continuous bead of silicone sealant. The entire lens assembly is secured to the door frame on all four sides with full-length galvanized steel brackets.

• **Finish:** The housing and door frame are painted after fabrication with a white polyester powdercoat paint. The finish has an antimicrobial finish to inhibit the growth of microbes.

• **Lamps:** SSTR is available with T8, T5 and T5HO linear fluorescent lamps. Lamps are included with the fixture. The standard color temperature is 3500K. Other color temperatures are available upon request. See the ordering information below for further detail.

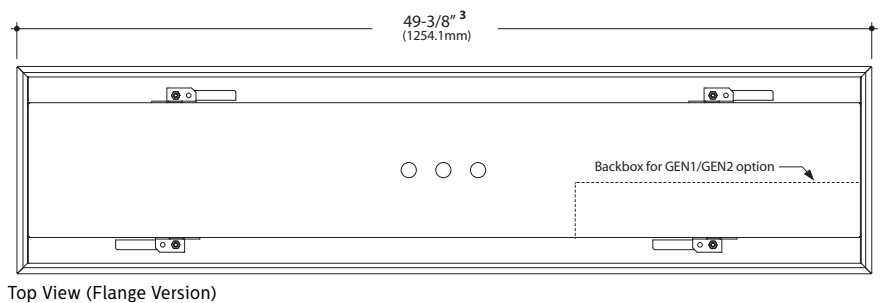
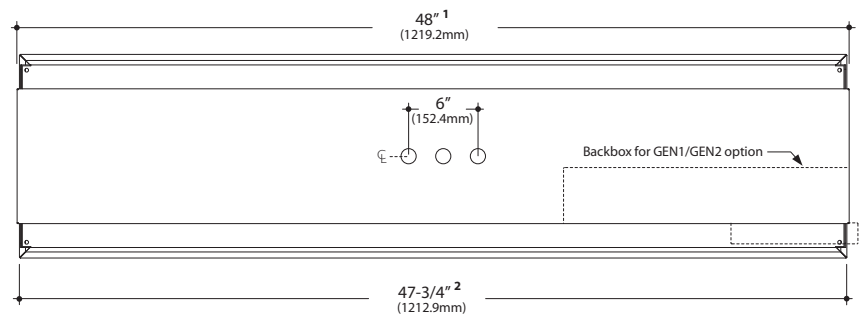
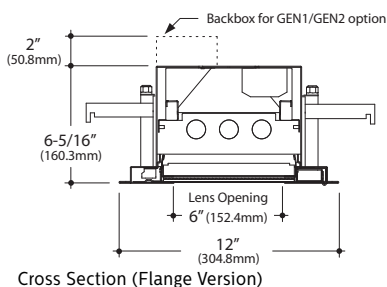
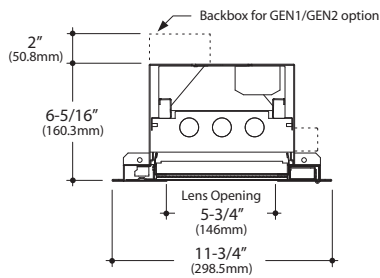
• **Electrical:** T8 lamp models have instant-start electronic ballasts. T5 and T5HO models have program start electronic ballasts. Dimming ballasts are program start electronic ballasts with a dimming range of 100-5% and operate with 0-10v controls. Compliant to IEC 60929. All standard lamp and ballast configurations have been certified for MIL-STD 461F. RFI filters are provided on all models.

• **Installation:** The grid housing is suitable for use with T-Grid ceiling systems having cross section dimensions up to 1.5" high and 1" wide. For proper door operation, grid housings must be mounted in T-Section only. Not for installation with wall molding. Optional T-bar clips are available. The flange housing is suitable for recessed applications. Swing-out sway bars support fixtures in the ceiling structure. (See Installation Instructions for more detailed information.)

• **Listing:** UL and CUL Listed for Wet Locations. MIL-STD 461F – Navy Fixed & Air Force. IP65 rated.

• **Warranty:** 5 year limited warranty.

## Dimensions



Note: The recommended ceiling opening for a single flange model is 10-7/8" x 48-5/16". Refer to the Installation Instructions for more detailed instructions including the ceiling opening size for multiple fixture installations.

<sup>1</sup> Housing length at lamp compartment.

<sup>2</sup> Measured at fixture trim (Recess for T-Grid).

<sup>3</sup> Measured from flange to flange.

# SSTRG14 & SSTRF14 SurgiCare Sealed Troffer 1x4

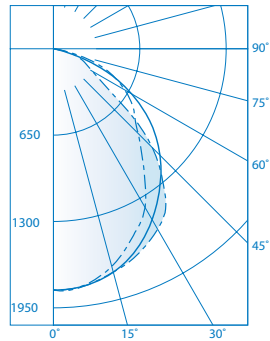
T8, T5, or T5HO

## Photometry

## Standard Lamps & Circuits

### SSTR (F/G) 14-3-T8 ASM

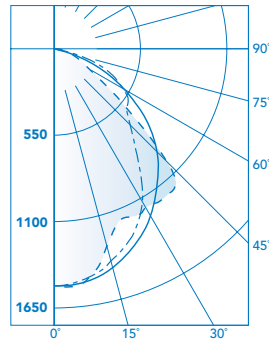
(3) 32W T8 Fluorescent -  
2950 lumens per lamp  
Report No.: ITL62209  
Efficiency: 48.8%



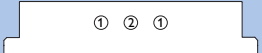
LEGEND:  
0-deg: - - - - -  
90-deg: - - - - -  
180-deg: - - - - -

### SSTR (F/G) 14-2-T5HO-ASM

(2) 54W T5HO Fluorescent -  
4500 lumens per lamp  
Report No.: ITL62212  
Efficiency: 38.3%



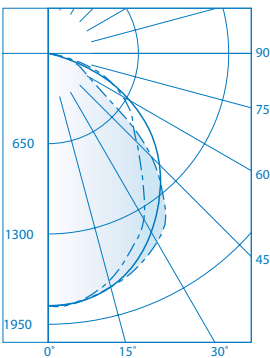
LEGEND:  
0-deg: - - - - -  
90-deg: - - - - -  
180-deg: - - - - -

Lamp Option	Combinations	Lamp Type
3, 21'	3 lamps, 2 circuits 	T8, T5

\* Green Lamp options are only available with T8 lamps.  
Note: Emergency ballasts have separate circuits.

### SSTR (F/G) 14-3-T8-ASM

(3) 32W T8 Fluorescent -  
2950 lumens per lamp  
Report No.: ITL62209  
Efficiency: 48.8%



LEGEND:  
0-deg: - - - - -  
90-deg: - - - - -  
180-deg: - - - - -

### CO-EFFICIENTS OF UTILIZATION

Effective floor cavity reflectance=20%

rc rw	80				70				50			30			10			0
	70	50	30	10	70	50	30	10	50	30	10	50	30	10	50	30	10	0
RCR 0	58	58	58	58	57	57	57	57	54	54	54	52	52	52	50	50	50	49
1	54	52	50	48	52	50	49	47	48	47	46	47	45	44	45	44	43	42
2	49	46	43	40	48	45	42	39	43	41	39	41	39	38	40	38	37	36
3	45	40	37	34	44	40	36	33	38	35	33	37	34	32	36	34	32	31
4	42	36	32	29	40	35	32	29	34	31	28	33	30	28	32	30	28	27
5	38	32	28	25	37	32	28	25	31	27	25	30	27	25	29	26	24	23
6	35	29	25	22	35	29	25	22	28	25	22	27	24	22	26	24	22	21
7	33	27	23	20	32	26	22	20	26	22	20	25	22	19	24	21	19	18
8	31	24	20	18	30	24	20	18	23	20	18	23	20	17	22	19	17	16
9	29	22	19	16	28	22	18	16	22	18	16	21	18	16	21	18	16	15
10	27	21	17	15	26	21	17	15	20	17	14	20	17	14	19	16	14	14

### CANDLEPOWER DISTRIBUTION

Vertical Angle	Horizontal Angle				
	0°	45°	90°	135°	180°
0°	1815	1815	1815	1815	1815
5°	1815	1806	1811	1805	1809
15°	1742	1733	1742	1702	1699
25°	1642	1616	1591	1503	1494
35°	1472	1449	1375	1247	1199
45°	1055	1162	1136	977	907
55°	466	647	848	782	723
65°	275	271	509	505	514
75°	150	153	136	205	227
85°	42	27	14	33	36
90°	0	0	0	0	0

### ZONAL LUMEN SUMMARY

Zone	Lumens	% Lamp	% Fixt.
0-30	1383	15.6	32.1
0-40	2229	25.2	51.6
0-60	3691	41.7	85.5
0-90	4316	48.8	100.0
90-120	0	0.0	0.0
0-180	4316	48.8	100.0



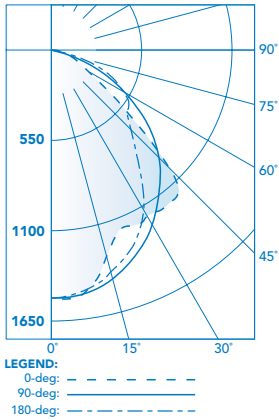
Some luminaires use fluorescent or high intensity discharge (HID) lamps that contain small amounts of mercury. Such lamps are labeled, "Contain Mercury" and/or the symbol "HG". Lamps that contain mercury must be disposed of in accordance with local requirements. Information regarding lamp recycling and disposal can be found at [www.lamprecycle.org](http://www.lamprecycle.org)

# SSTRG14 & SSTRF14 SurgiCare Sealed Troffer 1x4

T8, T5, or T5HO

## SSTR (F/G) 14-2-T5HO-ASM

(2) 54W T5HO Fluorescent -  
4500 lumens per lamp  
Report No.: ITL62212  
Efficiency: 38.3%



## CO-EFFICIENTS OF UTILIZATION | Effective floor cavity reflectance=20%

rc rw	80				70				50			30			10			0	
	70	50	30	10	70	50	30	10	50	30	10	50	30	10	50	30	10	0	
RCR	0	46	46	46	46	45	45	45	45	43	43	43	41	41	41	39	39	39	38
	1	42	41	39	38	41	40	38	37	38	37	36	37	36	35	35	35	34	33
	2	39	36	33	31	38	35	33	31	34	32	30	33	31	30	31	30	29	28
	3	36	32	29	27	35	31	29	26	30	28	26	29	27	25	28	26	25	24
	4	33	28	25	23	32	28	25	23	27	24	22	26	24	22	25	23	22	21
	5	30	26	22	20	29	25	22	20	24	22	20	24	21	19	23	21	19	18
	6	28	23	20	17	27	23	20	17	22	19	17	21	19	17	21	19	17	16
	7	26	21	18	16	25	21	18	15	20	17	15	20	17	15	19	17	15	14
	8	24	19	16	14	24	19	16	14	18	16	14	18	16	14	18	15	14	13
	9	23	18	15	13	22	17	15	13	17	14	12	17	14	12	16	14	12	12
	10	21	16	13	11	21	16	13	11	16	13	11	15	13	11	15	13	11	11

## CANDLEPOWER DISTRIBUTION

Vertical Angle	Horizontal Angle				
	0°	45°	90°	135°	180°
0°	1507	1507	1507	1507	1507
5°	1514	1506	1504	1494	1492
15°	1293	1389	1438	1406	1394
25°	1176	1137	1309	1244	1240
35°	1179	1058	1124	1025	952
45°	1016	1008	922	774	681
55°	400	576	655	596	571
65°	196	210	379	404	417
75°	100	113	106	166	183
85°	30	18	8	26	27
90°	0	0	0	0	0

## ZONAL LUMEN SUMMARY

Zone	Lumens	% Lamp	% Fixt.
0-30	1103	12.3	32.0
0-40	1766	19.6	51.2
0-60	2961	32.9	85.9
0-90	3449	38.3	100.0
90-180	0	0.0	0.0
0-180	3449	38.3	100.0

© 2014 Koninklijke Philips N.V. All rights reserved.  
Philips reserves the right to make changes in specifications and/or to discontinue any product at any time without notice or obligation and will not be liable for any consequences resulting from the use of this publication.  
philips.com/luminaires



Philips Lighting North America Corporation  
200 Franklin Square Drive, Somerset, NJ 08873  
Tel. 855-486-2216

Imported by: Philips Lighting  
A division of Philips Electronics Ltd.  
281 Hillmount Road, Markham, ON, Canada L6C 2S3  
Tel. 800-668-9008