

Ordering Information

| Catalog No. | Finish | Mounting | Lamps |
|-------------|-------------------|----------------------------------|--|
| 22MW6WH | Matte White | All Lytespan Track Systems. | MR16 Lamp with out Integral lens, 50W Max |
| 22MW6BK | Matte Black | Does not mount on ProSpec Track. | MR16 Lamp with integral lens, 37W Max |
| 22MW6AL | Metallic Aluminum | | Recommended Lamp Beam Spread: 25° - 40° Optimal Lamp Beam Spread: 36° |

Features

- Transformer:** Class two electronic transformer for 12v halogen lamps
- Track Attachment Fitting:** Molded polycarbonate; rotates into track
- Brass Contact:** Extends for connection to second circuit (Advent Lytespan track only)
- Horizontal Pivot:** Wireless stem profile with infinite horizontal rotation
- Vertical Pivot:** 0-90° vertical adjustment
- Socket:** Bi-pin multipoint contact low voltage halogen socket
- Housing:** Die cast aluminum
- Front Cartridge:** Hinged and captive.
- Beam Elongator Lens:** Fixed to ensure proper alignment. Meets UL standards for use with unshielded lamps

Finish

All Painted finishes are baked enamel.

Dimming

Use only dimmers specifically designed for use with electronic transformers. Low voltage fixtures may produce audible sound when dimmed.

Accessories

- Accessory Holder:** None
Accessories: None
Lens: None
Louwer: None
Snoot Accessory: None

Labels

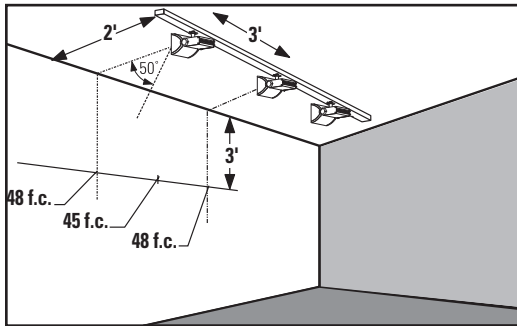
UL, cUL

| Job Information | Type: |
|------------------|-------|
| Job Name: | |
| Cat. No.: | |
| Lamp(s): | |
| Notes: | |

631 Airport Road, Fall River, MA 02720 • (508) 679-8131 • Fax (508) 674-4710
 We reserve the right to change details of design, materials and finish.
 www.lightolier.com © 2008 Philips Group • E0808

Lighting Data

Footcandles on wall:



Lamp Information:

50W MR16 36° Flood
Lumens: 850
Rated Avg. life: 3,000 hrs.

EXAMPLE: With track located 2' from wall and multiple units spaced 3' on center and aimed 50° from horizontal, the illumination on wall 3' from ceiling will be 48 f.c. beneath units and 45 f.c. between units.

Footcandles on Wall

Track 2 Feet From Wall

Single Unit

| Distance From Ceiling | Beam Center | | | | |
|-----------------------|-------------|----|----|----|----|
| | 0' | 1' | 2' | 3' | 4' |
| 1' | 15 | 4 | 7 | 1 | 0 |
| 2' | 78 | 46 | 14 | 2 | 0 |
| 3' | 29 | 19 | 9 | 3 | 1 |
| 4' | 9 | 6 | 3 | 1 | 0 |
| 5' | 3 | 2 | 2 | 1 | 0 |
| 6' | 1 | 1 | 1 | 0 | 0 |
| 7' | 1 | 0 | 0 | 0 | 0 |
| 8' | 0 | 0 | 0 | 0 | 0 |

Multiple Units

| 2' Spacing | | | 3' Spacing | | | 4' Spacing | | |
|------------|----|----|------------|----|----|------------|----|----|
| 11 | 9 | 11 | 7 | 7 | 7 | 4 | 7 | 4 |
| 48 | 42 | 48 | 28 | 31 | 28 | 22 | 27 | 22 |
| 69 | 67 | 69 | 48 | 45 | 48 | 39 | 32 | 39 |
| 41 | 41 | 41 | 30 | 28 | 30 | 23 | 20 | 23 |
| 19 | 19 | 19 | 14 | 13 | 14 | 11 | 10 | 11 |
| 9 | 9 | 9 | 7 | 7 | 7 | 5 | 5 | 5 |
| 5 | 5 | 5 | 4 | 4 | 4 | 3 | 3 | 3 |
| 3 | 3 | 3 | 2 | 2 | 2 | 2 | 2 | 2 |

Track 3 Feet From Wall

Single Unit

| Distance From Ceiling | Beam Center | | | | |
|-----------------------|-------------|----|----|----|----|
| | 0' | 1' | 2' | 3' | 4' |
| 1' | 4 | 3 | 3 | 1 | 0 |
| 2' | 20 | 17 | 13 | 4 | 1 |
| 3' | 36 | 26 | 15 | 6 | 2 |
| 4' | 19 | 15 | 10 | 5 | 2 |
| 5' | 8 | 6 | 4 | 3 | 1 |
| 6' | 4 | 3 | 2 | 1 | 1 |
| 7' | 2 | 2 | 1 | 1 | 0 |
| 8' | 1 | 1 | 1 | 1 | 0 |

Multiple Units

| 3' Spacing | | | 4' Spacing | | | 5' Spacing | | |
|------------|----|----|------------|----|----|------------|----|----|
| 7 | 7 | 7 | 4 | 7 | 4 | 4 | 5 | 4 |
| 28 | 31 | 28 | 22 | 27 | 22 | 21 | 17 | 21 |
| 48 | 45 | 48 | 39 | 32 | 39 | 37 | 22 | 37 |
| 30 | 28 | 30 | 23 | 20 | 23 | 20 | 16 | 20 |
| 14 | 13 | 14 | 11 | 10 | 11 | 9 | 7 | 9 |
| 7 | 7 | 7 | 5 | 5 | 5 | 5 | 4 | 5 |
| 4 | 4 | 4 | 3 | 3 | 3 | 3 | 2 | 3 |
| 2 | 2 | 2 | 2 | 2 | 2 | 1 | 1 | 1 |

Job Information

Type:

631 Airport Road, Fall River, MA 02720 • (508) 679-8131 • Fax (508) 674-4710
We reserve the right to change details of design, materials and finish.
www.lightolier.com © 2008 Philips Group • E0808