

INSTRUCTIONS FOR ATTACHING TRACK LED FLOOD 2000LM SERIES TO LYTESPAN TRACK SYSTEMS FOR USE WITH LYTESPAN TRACK SYSTEMS ONLY

NOTE: Not for use with ProSpec Track.

INSTRUCTIONS FOR ATTACHING LUMINAIRE TO A SINGLE CIRCUIT TRACK:

1. Turn off power to TRACK.
2. Align FULL GROOVE in ADAPTERS with BEAD on TRACK see Fig. 1 & 2
3. Position LEVERS as shown in Fig. 2.
4. Insert ADAPTERS into TRACK as shown in Fig. 2.
5. Rotate LEVERS 90° while pushing upwards on ADAPTERS to make mechanical and electrical connection. See Fig. 3.

To Remove or change luminaire location on TRACK, reverse procedure #5 above.

INSTRUCTIONS FOR CONVERTING LUMINAIRE ATTACHMENT FITTING TO OPERATE ON 2 CIRCUIT ADVENT LYTESPAN TRACK

NOTE: To insure proper operation on Two Circuit Lytespan Track, the BLACK SPACER (provided) must be used all the time on both PLUG ASSEMBLIES. The BLACK SPACER is not used when operating on Single Circuit Track.

LOWER CIRCUIT, Fig 4 & 7:

Illustrates BRASS CONTACT in low position with BLACK SPACER in place for lower circuit. BLACK SPACER should also be used on adapter without contacts for both LOWER CIRCUIT and UPPER CIRCUIT installations.

UPPER CIRCUIT, Fig. 5,6, & 7:

To convert attachment fitting for upper circuit, raise BRASS CONTACT to high position by pulling CONTACT as high as stop permits and slipping on BLACK SPACER as shown in Fig. 5 & 6

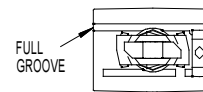


Fig. 1

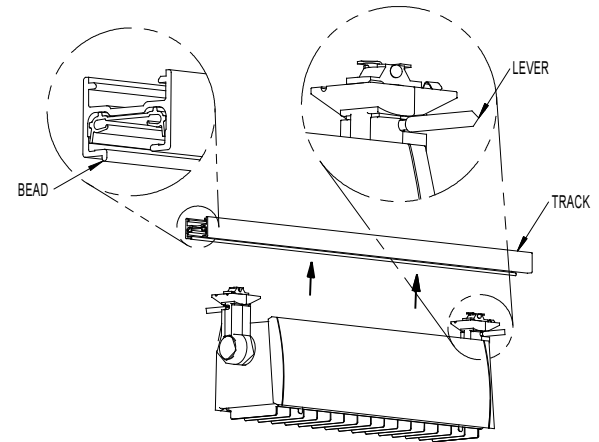


Fig. 2

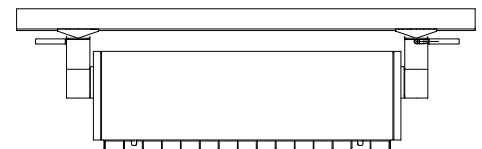


Fig. 3

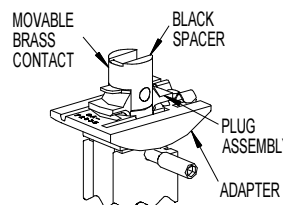


Fig. 4

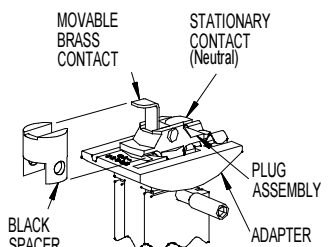


Fig. 5

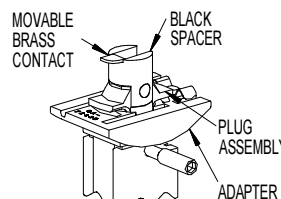


Fig. 6

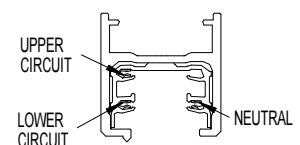


Fig. 7

INSTRUCTIONS FOR INSTALLING LOUVER

INSTRUCTIONS FOR INSTALLING LOUVER:

1. Turn off power to TRACK.
2. First insert BOTTOM SPRINGS on the LOUVER into the BOTTOM GROOVE in the luminaire (see Fig. 8 & 9)
3. While pushing down TOP SPRING TABS, rotate LOUVER toward the TOP GROOVE in the luminaire until it hits the FRONT STEP on the luminaire. Release the TOP SPRING TABS into the TOP GROOVE (see Fig. 8, 10, & 11).
4. To remove, push down the TOP SPRING TABS and rotate away from the luminaire (see Fig. 10).

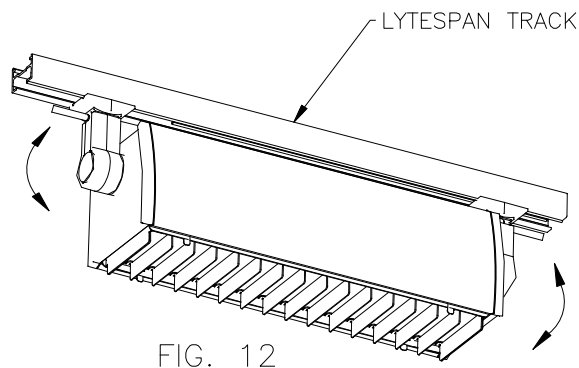
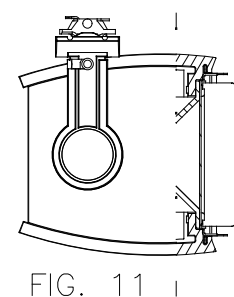
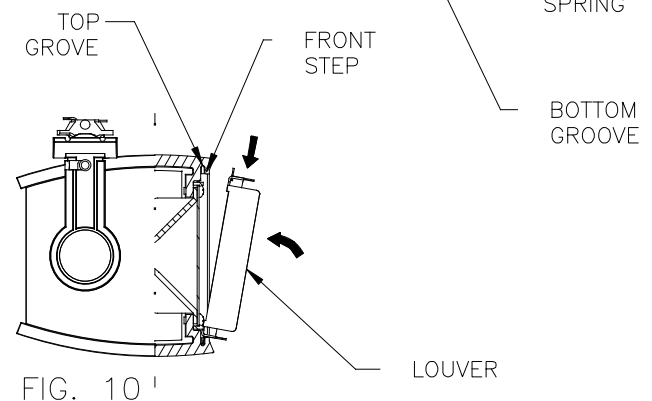
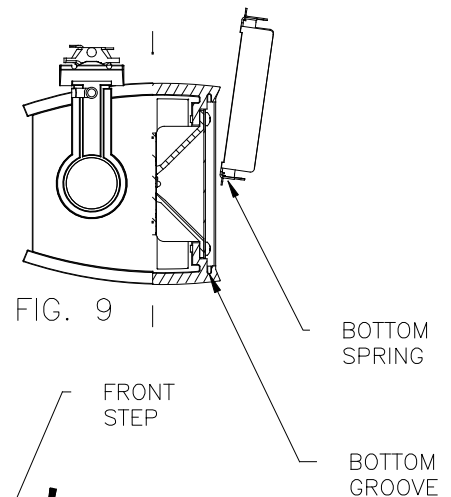
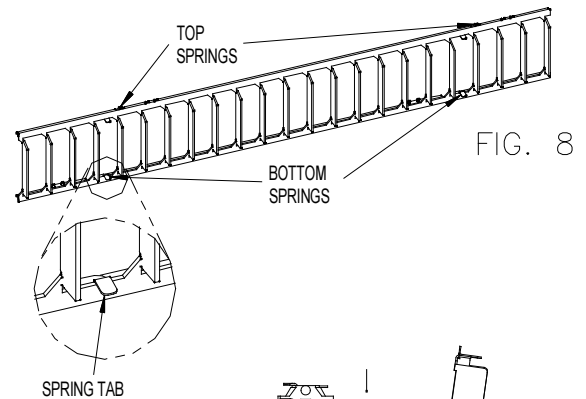
NOTE: Ensure that all four LOUVERS SPRINGS are fully engaged for safe operation (see Fig. 11).

NOTE: Luminaire may be used without LOUVER if desired.

AIMING INSTRUCTIONS (see Fig. 12):

CAUTION: ALLOW TIME FOR LUMINAIRE TO COOL BEFORE MAKING ANY ADJUSTMENTS!

Rotate HEAD of luminaire to desired position



Read and understand these instructions before installing luminaire (fixture).

This luminaire is intended for installation in accordance with the National Electrical Code and local regulations. To assure full compliance with local codes and regulations, check with your local electrical inspector before installation. To prevent electrical shock, turn off electricity at fuse box before proceeding. Allow fixture to cool before handling.

Retain these instructions for maintenance reference.

INSTRUCTIONS FOR INSTALLING AND OPERATING LLF2VS VISOR TO LUMINAIRE LLF227, LLF230, & LLF240 SERIES.

INSTRUCTIONS FOR ATTACHING VISOR LLF2VS TO LUMINAIRE.

1. Place LONG TAB of visor in GROOVE. (FIG 1)
2. Rotate VISOR toward Luminaire.
3. Press SUPPORT BEAM enough to engage SHORT TABS into GROOVE. (FIG 2)
4. Ensure both LONG AND SHORT TABS are engaged in GROOVES in Luminaire. (FIG 2)
5. TO REMOVE: Press down on SUPPORT BEAM of VISOR and pull VISOR away from Luminaire.

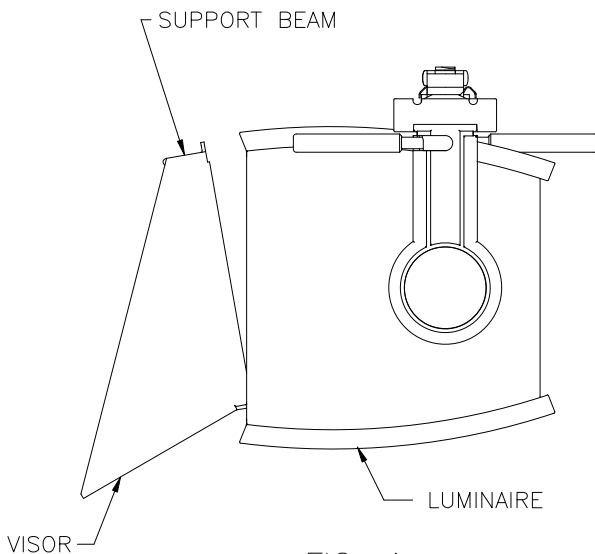


FIG. 1

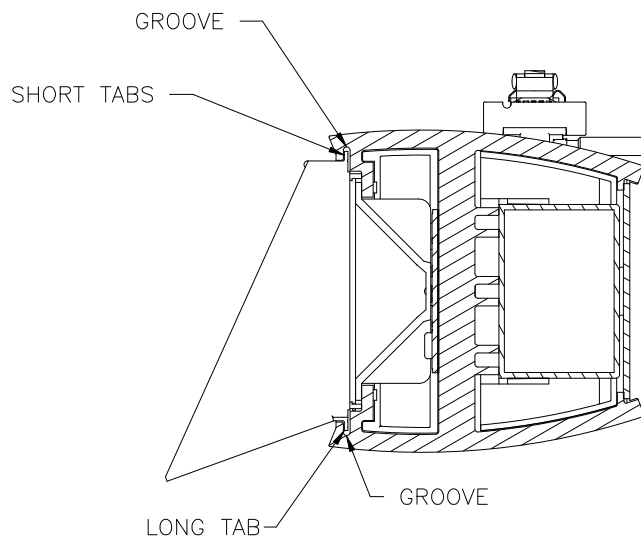


FIG. 2

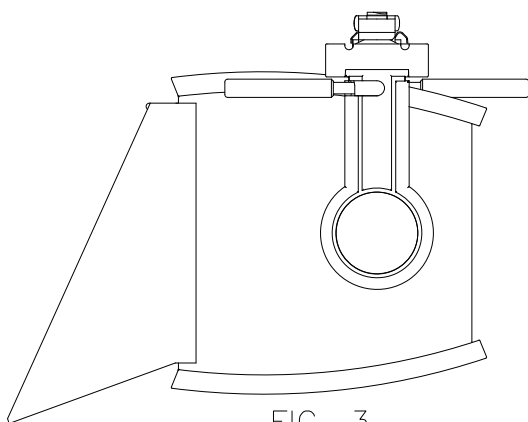


FIG. 3

FINAL POSITION OF VISOR

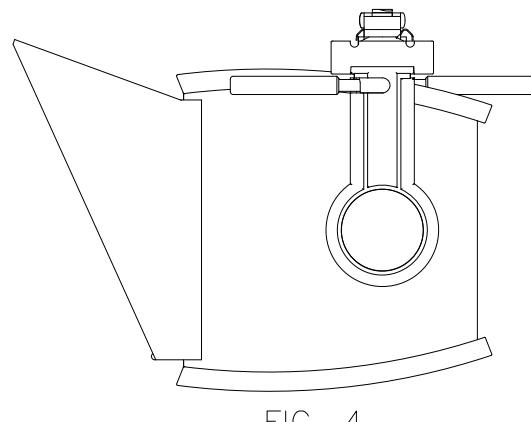


FIG. 4

VISOR MAY ALSO BE INSTALLED IN THIS ORIENTATION