



OptiVision MVP507

MVP507 MHN-LA2000W/842 400V WB SI

OPTIVISION - MASTER MHN-LA - 2000 W - Wide beam

Optivision is an asymmetric downlighting luminaire that combines compact dimensions with very high efficiency. Available with narrow, medium and wide beams for flexibility in application, it provides excellent control of spill light and limitation of glare and upward leakage of light. Optivision can accommodate metal-halide lamps for good color rendering or high-pressure sodium lamps for economical operation. Excellent spill-light control, limitation of glare and upward leakage of light is secured by asymmetric optics that achieve peak intensity at 60° and a sharp cut-off of light at 80°. The MHN-LA/FC lamps guarantee pleasant and natural color rendering and comfortable atmosphere.

Product data

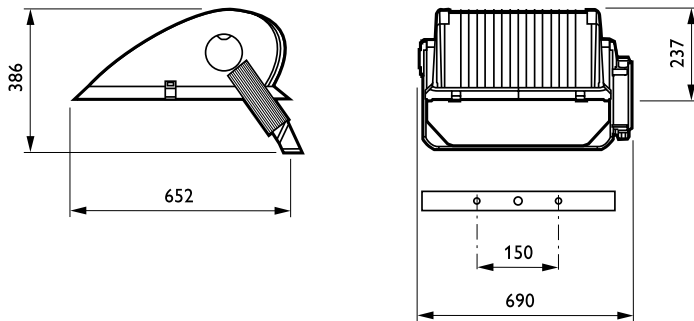
General Information		Product family code	
Number of light sources	1 pc	MVP507 [OPTIVISION]	
Lamp family code	MHN-LA [MASTER MHN-LA]	Operating and Electrical	
Lamp power	2000 W	Lamp supply voltage	400 V [400]
Light source color	842 neutral white	Input Voltage	400 V
Kombipack	Lamp(s) included	Ignitor	Series
Protection class IEC	Safety class I	Mechanical and Housing	
CE mark	CE mark	Color	Aluminum
ENEC mark	-	Approval and Application	
Ball impact resistance mark	Ball Impact Resistance mark	Ingress protection code	IP65 [Dust penetration-protected, jet-proof]
Mechanical accessories	-	Mech. impact protection code	IK08 [5 J vandal-protected]
Optic type outdoor	Wide beam	Product Data	
Serviceability class	Class A, luminaire is equipped with serviceable parts (when applicable): LED board, driver, control units, surge protection device, optics, front cover and mechanical parts	Full product code	871155915196000

OptiVision MVP507

Order product name	MVP507 MHN-LA2000W/842 400V WB SI
EAN/UPC - Product	8711559151960
Order code	910400184612
Numerator - Quantity Per Pack	1
Numerator - Packs per outer box	1

Material Nr. (12NC)	910400184612
Net Weight (Piece)	17.200 kg

Dimensional drawing



OptiVision MVP507

