



Lineco TMS022

GMS022 1/2 18 R

Reflector

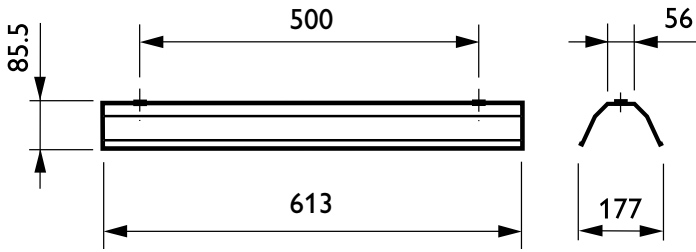
Functional and economical general-purpose basic batten for TL-D fluorescent lamp(s) with choice of two optics for symmetrical or asymmetrical lighting. For surface mounting. A repositionable contact block makes a flexible connection possible and keeps the installation costs low.

Product data

General Information		Order product name	
Number of light sources	1/2 [1 or 2 pcs]	Order product name	GMS022 1/2 18 R
Lamp power	18 W	EAN/UPC - Product	8711559207957
Reflectors	R [Reflector]	Order code	20795799
Product family code	GMS022 [GMS022]	Numerator - Quantity Per Pack	1
Mechanical and Housing		Numerator - Packs per outer box	5
Dimensions (Height x Width x Depth)	NaN x NaN x NaN mm (NaN x NaN x NaN in)	Material Nr. (12NC)	910400620418
Product Data		Net Weight (Piece)	0.640 kg
Full product code	871155920795799		

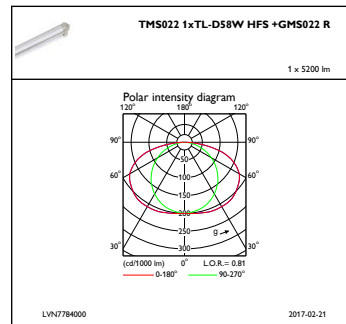
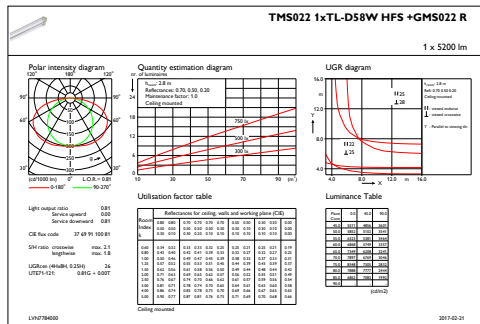
Lineco TMS022

Dimensional drawing



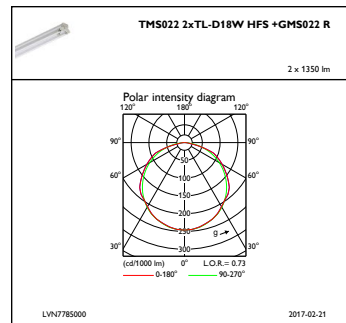
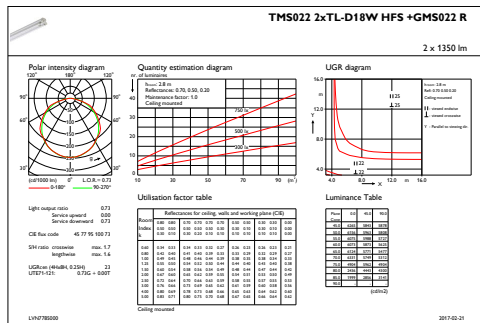
GMS022/028

Photometric data



IFGU1_TMS0221xTL-D58WHFS+GMS022R

IFPC1_TMS0221xTL-D58WHFS+GMS022R



IFGU1_TMS0222xTL-D18WHFS+GMS022R

IFPC1_TMS0222xTL-D18WHFS+GMS022R

Photometric data

