



Landmark MVF028

MVF028 SON-T1000W 220-240V WB

SON-T - 1000 W - Wide beam

A high-performance general-purpose floodlight for sports lighting, general area lighting and facade illumination. This compact unit distributes a well-controlled, low glare, wide, medium or narrow beam evenly, accurately and efficiently. Excellent lighting results are achieved with the double-ended 2000W metal-halide lamp and also with standard 1000W metal-halide or high-pressure sodium lamps. Rugged all-weather construction designed for easy aiming, simple cleaning and speedy servicing.

Product data

General Information	
Number of light sources	1 [1 pc]
Lamp family code	SON-T [SON-T]
Lamp power	1000 W
Compensation circuit	Inductive parallel compensated
Gear	SGR [SON gear]
Outdoor optic type	Wide beam

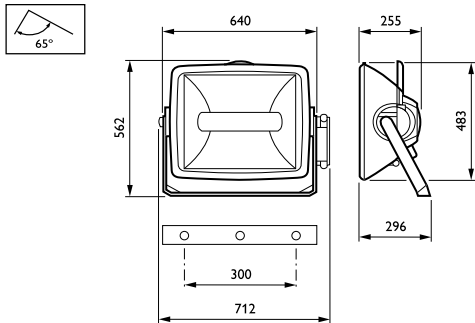
Operating and Electrical	
Input voltage	220 to 240 V
Input frequency	50 Hz

Approval and Application	
Ingress protection code	IP65 [Dust penetration-protected, jet-proof]

Product Data	
Full product code	910401638580
Order product name	MVF028 SON-T1000W 220-240V WB
Order code	910401638580
Numerator – quantity per pack	1
Numerator – packs per outer box	1
Material no. (12NC)	910401638580
Net weight (piece)	15.799 kg

Landmark MVF028

Dimensional drawing



MVF028

