



Optivision MVP507 C

MVP507 CSON-T1000W 220-240V WB

SON-T - 1000 W - Wide beam

An asymmetric luminaire for down lighting that combines a compact design with very high efficiency. It provides excellent spill-light control and limitation of glare and upward leakage of light. It accommodates metal-halide lamps for good color rendering or high-pressure sodium lamps for economical operation. Available with narrow, medium and wide beams.

Product data

General Information	
Duplication code	C [China]
Number of light sources	1 [1 pc]
Lamp family code	SON-T [SON-T]
Lamp power	1000 W
Lamp colour code	-
Kombipack	-
Compensation circuit	Inductive parallel compensated
Gear	SGR [SON gear]
Outdoor optic type	Wide beam

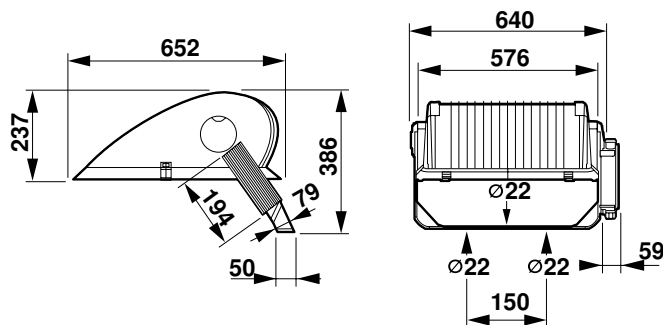
Operating and Electrical	
Input voltage	220 to 240 V
Input frequency	50 Hz

Approval and Application	
Ingress protection code	IP65 [Dust penetration-protected, jet-proof]

Product Data	
Full product code	910401647680
Order product name	MVP507 CSON-T1000W 220-240V WB
Order code	910401647680
Numerator – quantity per pack	1
Numerator – packs per outer box	1
Material no. (12NC)	910401647680
Net weight (piece)	17.999 kg

Optivision MVP507 C

Dimensional drawing



MVP507 C

