



# Lineco TMS022

## TMS022 2xTL-D36W HFS

TMS022 - 2 pcs - MASTER TL-D - 36 W - HF Standard

Lineco TMS022 is a functional and economical surface-mounted batten for 1 or 2 TL-D fluorescent lamps. It offers a choice of two optics, for symmetrical and asymmetrical lighting. Installation is quick and tool-less and can be carried out single-handedly. The repositionable contact block enables flexible connection (with cable entry centrally or via the end caps). A wide range of snap-on attachments is available.

### Product data

General Information	
Number of light sources	2 pcs
Lamp family code	TL-D [ MASTER TL-D]
Lamp power	36 W
Kombipack	-
Compensation circuit	-
Gear	HFS [ HF Standard]
Optic type	-
Emergency lighting	-
Protection class IEC	Safety class I
Ready-to-install	-
Glow-wire test	Temperature 650 °C, duration 5 s
Flammability mark	For mounting on normally flammable surfaces
Country version	NO [ Norway]
CE mark	CE mark
ENEC mark	ENEC mark
Product family code	TMS022 [ TMS022]

Operating and Electrical	
Input Voltage	230 to 240 V
Mechanical and Housing	
Housing configuration	-
Fixation point length distance (Nom)	900 mm
Overall length	1225 mm

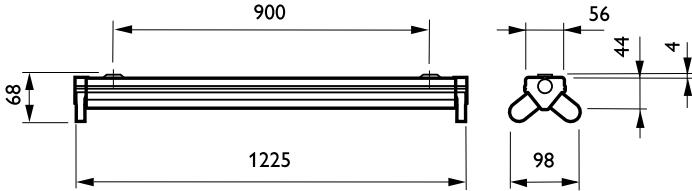
Approval and Application	
Ingress protection code	IP20 [ Finger-protected]
Mech. impact protection code	IK02 [ 0.2 J standard]

Product Data	
Full product code	871155913560199
Order product name	TMS022 2xTL-D36W HFS
EAN/UPC - Product	8711559135601
Order code	910402207603
Numerator - Quantity Per Pack	1
Numerator - Packs per outer box	9

# Lineco TMS022

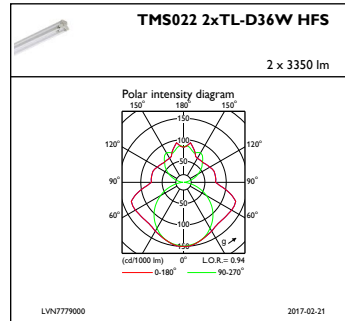
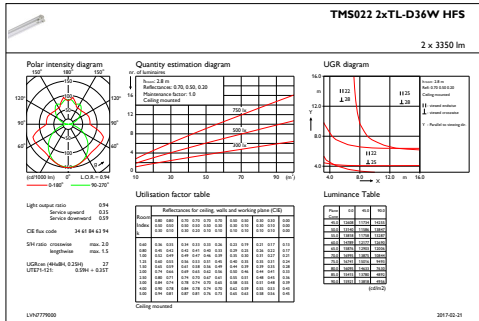
Material Nr. (12NC)	910402207603
Net Weight (Piece)	1.180 kg

## Dimensional drawing



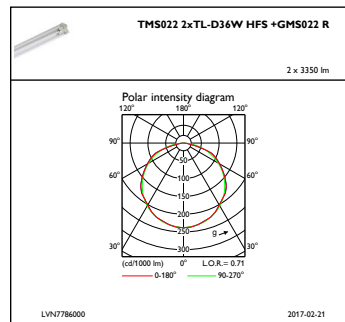
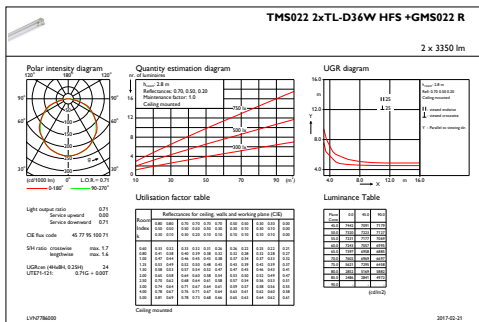
## TMS022

## Photometric data



## IFGU1\_TMS0222xTL-D36WHFS

## IFPC1\_TMS0222xTL-D36WHFS



## IFGU1\_TMS0222xTL-D36WHFS+GMS022R

## IFPC1\_TMS0222xTL-D36WHFS+GMS022R

## Lineco TMS022

