



Smartway SPP165/166/180/185/ 186

SPP180 SON-T150W 240V-50Hz GB RAL7040

SON-T - 150 W - 240 V - 50 Hz - Glass bowl/cover - Window gray (7040)

This cost effective road light delivers a fresh new light to city roads, residential areas and industrial estates while making a significant contribution to a safer and more comfortable environment.

Product data

General Information	
Number of light sources	1 [1 pc]
Lamp family code	SON-T [SON-T]
Lamp power	150 W
Optical cover/lens type	GB [Glass bowl/cover]
Protection class IEC	Safety class I (I)
RAL colour	Window gray (7040)

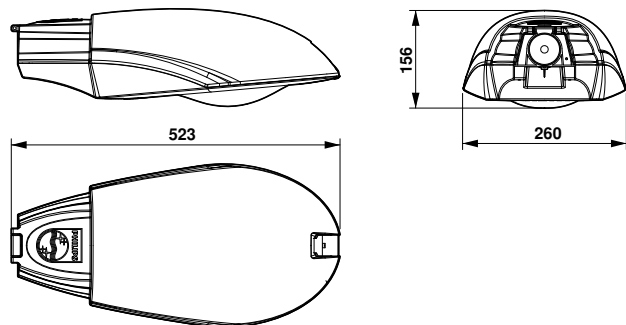
Operating and Electrical	
Input voltage	240 V
Input frequency	50 Hz

Approval and Application	
Ingress protection code	IP43/65 [Wire-protected, rain/spray-proof; dust penetration-protected, jet-proof]

Product Data	
Full product code	910403630196
Order product name	SPP180 SON-T150W 240V-50Hz GB RAL7040
Order code	03630196
Numerator – quantity per pack	1
Numerator – packs per outer box	1
Material no. (12NC)	910403630196
Net weight (piece)	6.000 kg

Smartway SPP165/166/180/185/186

Dimensional drawing



SmartWay SPP180/185/186

