



# Smart Halogen Downlight QBS020

QBS027 1x MAX50W/12V-GU5.3 WH

1 pc - Max. 50 W - GU5.3 - WH

Shop owners opening a new outlet or refurbishing their current installation and contractors looking for attractive propositions for their customers (small/non-chain retailers) now have the ideal solution for impactful, yet affordable accent lighting. Our Smart Halogen Downlight offers customers a choice of different shapes to suit different functions, and the professional finish lends the luminaire an air of contemporary sophistication. Thanks to its robust housing, the Smart Halogen Downlight is a long-lasting solution. Quality clips ensure ease of installation.

## 产品数据

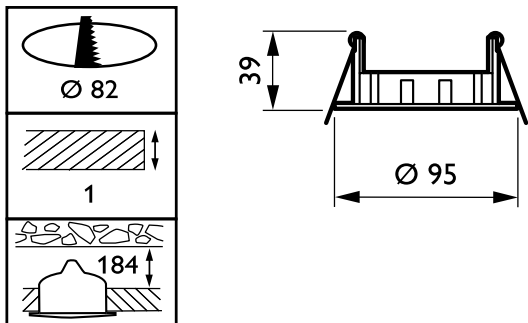
基本資訊	
光源數	1 [ 1 pc]
接口	GU5.3 [ GU5.3]
易燃性標誌	F [ F]
運作和電氣	
最大燈具功率	MAX50 [ Max. 50 W]
輸入電壓	12 V
機械和殼體	
色彩	WH
尺寸 (高 x 寬 x 深)	NaN x NaN x NaN mm (NaN x NaN x NaN in)
應用	
防水防塵規範代碼	IP20 [ IP20]

產品參數	
完整產品碼	910403630269
訂購產品名稱	QBS027 1x MAX50W/12V-GU5.3 WH
EAN/UPC - 產品	6923828687557
訂購代碼	910403630269
分子 - 各件數量	1
分子 - 每一外盒內件數	50
材質編號(12NC)	910403630269
淨重 (件)	0.129 kg



## Smart Halogen Downlight QBS020

### 二维绘图



QBS020 Smart halogen downlight

