



# OptiVision MVP507

## MVP507 MHN-FC1000W/740 230V MB SI

OPTIVISION - MASTER MHN-FC - 1000 W - Medium beam

OptiVision is an asymmetric downlighting luminaire that combines compact dimensions with very high efficiency. Available with narrow, medium and wide beams for flexibility in application, it provides excellent control of spill light and limitation of glare and upward leakage of light. OptiVision can accommodate metal-halide lamps for good color rendering or high-pressure sodium lamps for economical operation. Excellent spill-light control, limitation of glare and upward leakage of light is secured by asymmetric optics that achieve peak intensity at 60° and a sharp cut-off of light at 80°. The MHN-LA/FC lamps guarantee pleasant and natural color rendering and comfortable atmosphere.

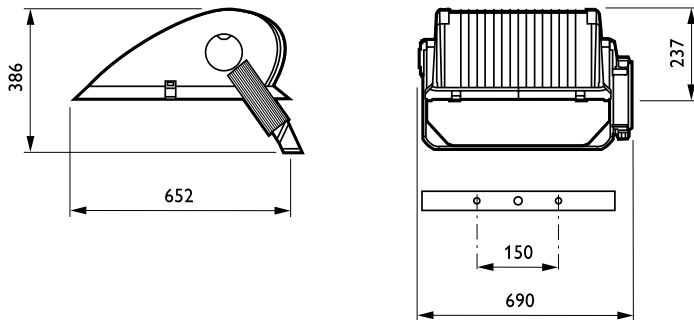
### Product data

| General Information         |                             | Input voltage                 |   |
|-----------------------------|-----------------------------|-------------------------------|---|
| Number of light sources     | 1 [ 1 pc]                   |                               | 230 V   |
| Lamp family code            | MHN-FC [ MASTER MHN-FC]     | Ignitor                       | SI [ Series]                                  |
| Lamp power                  | 1000 W                      | Mechanical and Housing        |   |
| Light source colour         | 740 neutral white           | Colour                        | Aluminum                                      |
| Kombipack                   | Lamp(s) included            | Approval and Application      |   |
| Protection class IEC        | Safety class I (I)          | Ingress protection code       | IP65 [ Dust penetration-protected, jet-proof] |
| CE mark                     | CE mark                     | Mech. impact protection code  | IK08 [ 5 J vandal-protected]                  |
| ENEC mark                   | -                           | Product Data                  |   |
| Ball impact resistance mark | Ball Impact Resistance mark | Full product code             | 872790029150600                               |
| Mechanical accessories      | No [ -]                     | Order product name            | MVP507 MHN-FC1000W/740 230V MB SI             |
| Outdoor optic type          | Medium beam                 | EAN/UPC – product             | 8727900291506                                 |
| Product Family Code         | MVP507 [ OPTIVISION]        | Order code                    | 29150600                                      |
| Operating and Electrical    |                             | Numerator – quantity per pack | 1   |
| Lamp supply voltage         | 230 V [ 230]                |                               |   |

## OptiVision MVP507

|                                 |              |
|---------------------------------|--------------|
| Numerator – packs per outer box | 1            |
| Material no. (12NC)             | 910403748812 |
| Net weight (piece)              | 17.200 kg    |

### Dimensional drawing



OptiVision MVP507

