



CoreLine Waterproof

WT120C LED34S/840 PSU L1500

Coreline Waterproof - - - 840 neutral white - Power supply unit

Whether for a new building or renovation of an existing space, customers want lighting solutions that provide quality of light and substantial energy and maintenance savings. The new CoreLine Waterproof range of LED products can be used to replace traditional waterproof luminaires with fluorescent lamps. The process of selecting, installing and maintaining is so easy – it's a simple switch.

Product data

General Information	
Number of light sources	1 [1 pc]
Lamp family code	-
Light source colour	840 neutral white
Light source replaceable	No
Number of gear units	1 unit
Driver/power unit/transformer	PSU [Power supply unit]
Driver included	Yes
Optic type	No [-]
Optical cover/lens type	PC [Polycarbonate bowl/cover]
Luminaire light beam spread	110°
Emergency lighting	No [-]
Control interface	-
Connection	PI [Push-in connector 3-pole]
Cable	-
Protection class IEC	Safety class I (I)
Glow-wire test	850/30 [Temperature 850 °C, duration 30 s]
Flammability mark	D [For mounting on easily flammable surfaces]
CE mark	CE mark

ENEC mark	ENEC mark
UL mark	-
Warranty period	5 years
Remarks	*-Per Lighting Europe guidance paper "Evaluating performance of LED based luminaires - January 2018": statistically there is no relevant difference in lumen maintenance between B50 and for example B10. Therefore the median useful life (B50) value also represents the B10 value.
Constant light output	No
Number of products on MCB	24
RoHS mark	RoHS mark
Product Family Code	WT120C [Coreline Waterproof]
Unified glare rating CEN	23

Operating and Electrical

Input voltage	220 to 240 V
Input frequency	50 to 60 Hz
Inrush current	17.8 A

CoreLine Waterproof

Inrush time	0.282 ms
Power factor (min.)	0.9

Controls and Dimming

Dimmable	No
----------	----

Mechanical and Housing

Housing material	Polycarbonate
Reflector material	Steel
Optic material	-
Optical cover/lens material	Polycarbonate
Fixation material	Stainless steel
Optical cover/lens finish	Textured
Overall length	1530 mm
Overall width	87 mm
Overall height	96 mm
Colour	Gray

Approval and Application

Ingress protection code	IP65 [Dust penetration-protected, jet-proof]
Mech. impact protection code	IK08 [5 J vandal-protected]

Initial Performance (IEC Compliant)

Initial luminous flux	3500 lm
Luminous flux tolerance	+/-10%
Initial LED luminaire efficacy	119 lm/W
Init. Corr. colour temperature	4000 K
Init. colour rendering index	≥80

Initial chromaticity	(0.38, 0.38) SDCM <3
Initial input power	29.5 W
Power consumption tolerance	+/-10%

Over Time Performance (IEC Compliant)

Control gear failure rate at median useful life 50000 h	5 %
Lumen maintenance at median useful life* 50000 h	L75

Application Conditions

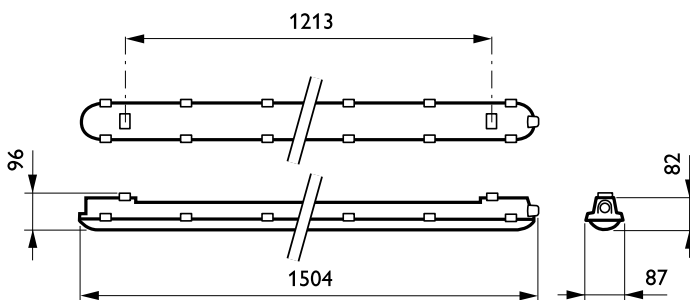
Ambient temperature range	-20 to +35 °C
Performance ambient temperature Tq	25 °C
Maximum dimming level	Not applicable

Product Data

Full product code	871829184047300
Order product name	WT120C LED34S/840 PSU L1500
EAN/UPC – product	8718291840473
Order code	84047300
Numerator – quantity per pack	1
Numerator – packs per outer box	1
Material no. (12NC)	910500453337
Net weight (piece)	1.820 kg



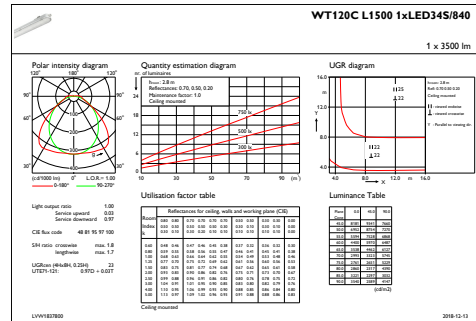
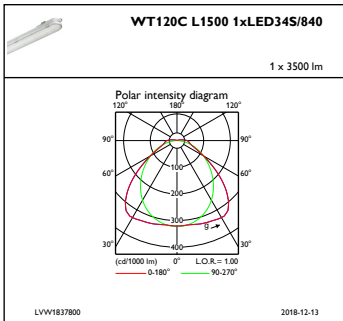
Dimensional drawing



CoreLine Waterproof WT120C

CoreLine Waterproof

Photometric data



IFPC1_WT120CL15001xLED34S840

IFGU1_WT120CL15001xLED34S840

