



CoreLine Waterproof

WT120C LED40S/840 PSU L1200

Coreline Waterproof - - - 840 neutral white - Power supply unit

Whether for a new building or renovation of an existing space, customers want lighting solutions that provide quality of light and substantial energy and maintenance savings. The new CoreLine Waterproof range of LED products can be used to replace traditional waterproof luminaires with fluorescent lamps. The process of selecting, installing and maintaining is so easy – it’s a simple switch. Also available as an Interact Ready wireless CoreLine waterproof luminaire that works with Interact Pro lighting software and Interact Ready devices to provide a connected lighting system for SMEs

Product data

General Information		Glow-wire test	
Number of light sources	1 [1 pc]	Flammability mark	Temperature 850 °C, duration 30 s
Lamp family code	-	CE mark	D [For mounting on easily flammable surfaces]
Beam angle of light source	120 °	ENEC mark	CE mark
Light source colour	840 neutral white	UL mark	ENEC mark
Light source replaceable	No	Warranty period	No
Number of gear units	1 unit	Remarks	5 years
Driver/power unit/transformer	PSU [Power supply unit]		*-Per Lighting Europe guidance paper “Evaluating performance of LED based luminaires - January 2018”: statistically there is no relevant difference in lumen maintenance between B50 and for example B10. Therefore the median useful life (B50) value also represents the B10 value.
Driver included	Yes	Constant light output	No
Optic type	No [-]	Number of products on MCB	24
Optical cover/lens type	PC [Polycarbonate bowl/cover]	RoHS mark	RoHS mark
Luminaire light beam spread	110°		
Emergency lighting	No [-]		
Control interface	-		
Connection	Push-in connector 3-pole		
Cable	-		
Protection class IEC	Safety class I		

CoreLine Waterproof

Product Family Code	WT120C [Coreline Waterproof]
Unified glare rating CEN	24

Operating and Electrical

Input voltage	220 to 240 V
Input frequency	50 to 60 Hz
Inrush current	8 A
Inrush time	0.060 ms
Power factor (min.)	0.9

Controls and Dimming

Dimmable	No
----------	----

Mechanical and Housing

Housing material	Polycarbonate
Reflector material	Steel
Optic material	-
Optical cover/lens material	Polycarbonate
Fixation material	Stainless steel
Optical cover/lens finish	Textured
Overall length	1250 mm
Overall width	87 mm
Overall height	96 mm
Colour	Grey

Approval and Application

Ingress protection code	IP65 [Dust penetration-protected, jet-proof]
Mech. impact protection code	IK08 [5 J vandal-protected]

Initial Performance (IEC Compliant)

Initial luminous flux	4100 lm
-----------------------	---------

Luminous flux tolerance	+/-10%
Initial LED luminaire efficacy	115 lm/W
Init. Corr. colour temperature	4000 K
Init. colour rendering index	≥80
Initial chromaticity	(0.38, 0.38) SDCM <3
Initial input power	35.5 W
Power consumption tolerance	+/-10%

Over Time Performance (IEC Compliant)

Control gear failure rate at median useful life 50000 h	5 %
Lumen maintenance at median useful life* 50000 h	L75

Application Conditions

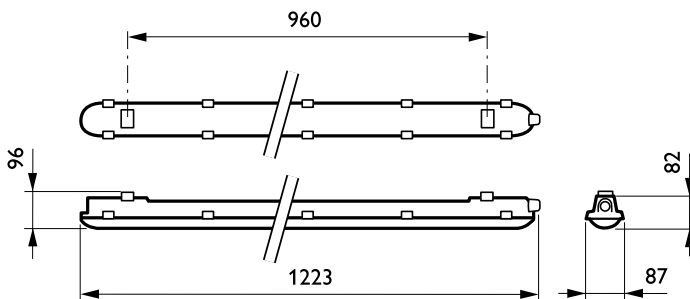
Ambient temperature range	-20 to +35 °C
Performance ambient temperature Tq	25 °C
Maximum dimming level	Not applicable

Product Data

Full product code	871829184048000
Order product name	WT120C LED40S/840 PSU L1200
EAN/UPC – product	8718291840480
Order code	84048000
Numerator – quantity per pack	1
Numerator – packs per outer box	1
Material no. (12NC)	910500453338
Net weight (piece)	1.530 kg



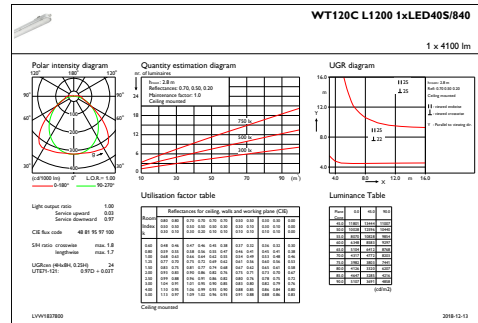
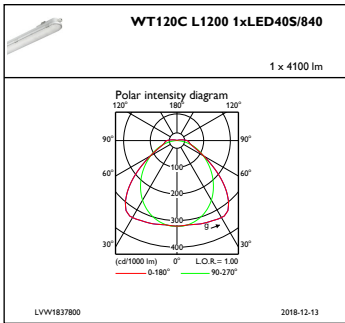
Dimensional drawing



CoreLine Waterproof WT120C

CoreLine Waterproof

Photometric data



IFPC1_WT120CL12001xLED40S840

IFGU1_WT120CL12001xLED40S840

