



## EcoStyle

### ST440T LED27S/840 PSU WB BK

EcoStyle track mounting - LED Module, system flux 2700 lm - 840 neutral white - Power supply unit - Wide beam - Safety class II (II) - Black

Retailers are looking for an affordable LED accent-lighting solution with a reasonable payback compared to conventional technologies. Now, thanks to EcoStyle, they need look no further. With a LED light source and dedicated reflector system, EcoStyle delivers powerful, good-quality accent lighting, enabling retailers to display their merchandise in the best possible light. For food and fashion retailers, EcoStyle is available with special light recipes to further enhance the store ambiance and to show the produce and goods on offer in the very best light: Fresh Food Champagne is the perfect LED solution for displaying fruit, vegetables, cheese, bread and pastries in a warm lighting ambiance; Fresh Food Meat creates the best light setting for meat enhancement in a cool natural ambiance; CrispWhite is the clear choice for fashion retailers to make colors appear rich and intense while keeping whites bright. The track-mounted EcoStyle is also available in a choice of black or white finish. And the combination of efficient LED technology and an innovative heatsink ensures that this is a reliable, lasting solution.

#### Product data

General Information			
Number of light sources	1 [ 1 pc]	Driver included	Yes
Lamp family code	LED27S [ LED Module, system flux 2700 lm]	Optic type	WB [ Wide beam]
Beam angle of light source	120 °	Optical cover/lens type	ACC [ Acrylic bowl/cover clear]
Light source colour	840 neutral white	Luminaire light beam spread	33°
Light source replaceable	No	Connection	No [ -]
Number of gear units	1 unit	Cable	-
Driver/power unit/transformer	PSU [ Power supply unit]	Protection class IEC	Safety class II (II)
		Glow-wire test	650/5 [ Temperature 650 °C, duration 5 s]

Flammability mark	F [ For mounting on normally flammable surfaces]
CE mark	CE mark
ENEC mark	ENEC mark
Warranty period	5 years
Remarks	*-Per Lighting Europe guidance paper "Evaluating performance of LED based luminaires - January 2018": statistically there is no relevant difference in lumen maintenance between B50 and for example B10. Therefore the median useful life (B50) value also represents the B10 value.
Constant light output	No
Number of products on MCB	34
EU RoHS compliant	Yes
Product Family Code	ST440T [ EcoStyle track mounting]

### Operating and Electrical

Input voltage	220 to 240 V
Input frequency	50 to 60 Hz
Inrush current	18 A
Inrush time	0.25 ms
Power factor (min.)	0.95

### Controls and Dimming

Dimmable	No
----------	----

### Mechanical and Housing

Housing material	Polycarbonate
Reflector material	Polycarbonate aluminum coated
Optic material	Polycarbonate
Optical cover/lens material	Polymethyl methacrylate
Fixation material	Polyamide
Optical cover/lens finish	Clear
Overall length	230 mm
Overall width	112 mm
Overall height	194 mm
Colour	Black
Dimensions (height x width x depth)	194 x 112 x 230 mm (7.6 x 4.4 x 9.1 in)

### Approval and Application

Ingress protection code	IP20 [ Finger-protected]
Mech. impact protection code	IK02 [ 0.2 J standard]

### Initial Performance (IEC Compliant)

Initial luminous flux	2800 lm
Luminous flux tolerance	+/-10%
Initial LED luminaire efficacy	119.14893617021276 lm/W
Init. Corr. Colour Temperature	4000 K
Init. Color rendering index	80
Initial chromaticity	(0.38, 0.38) SDCM <5
Initial input power	23.5 W
Power consumption tolerance	+/-10%

### Over Time Performance (IEC Compliant)

Control gear failure rate at median useful life 50,000 h	5 %
Lumen maintenance at median useful life* 50,000 h	L80

### Application Conditions

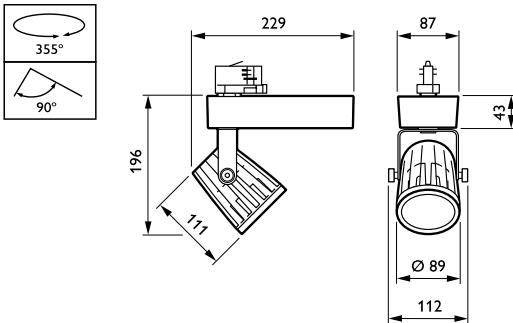
Ambient temperature range	0 to +35 °C
Performance ambient temperature Tq	25 °C
Suitable for random switching	No

### Product Data

Full product code	871869625923800
Order product name	ST440T LED27S/840 PSU WB BK
EAN/UPC – product	8718696259238
Order code	25923800
Numerator – quantity per pack	1
Numerator – packs per outer box	1
Material no. (12NC)	910500456854
Net weight (piece)	1.460 kg

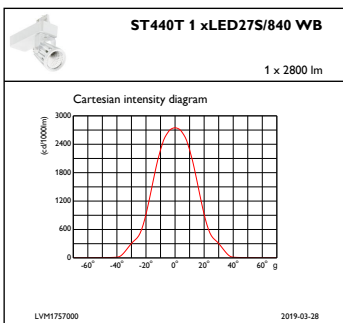


Dimensional drawing

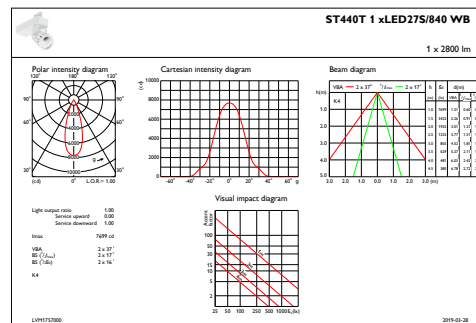


EcoStyle ST440S/ST440T

Photometric data



IFCC1\_ST440T1xLED27S840WB



IFAS1\_ST440T1xLED27S840WB

