



ProAir

ST640Z HC

Honeycomb louver

Store designers want a spot that fits in with their store design. Visual merchandisers need the very best light quality and spots that are easily adjustable. And maintenance managers and green champions want to reduce energy consumption and maintenance costs. ProAir offers store designers a LED spot with an elegant and compact design that they can customize to suit their needs. It gives visual merchandisers great rendering of colors and whites and excellent color consistency, as well as well-defined, clean beams for maximum impact. All versions of ProAir offer low maintenance and energy consumption.

Product data

General Information	
CE mark	CE mark
Glare shielding accessories	Honeycomb louver
Material	Polyamide
Accessory color	Black
Product family code	ST640Z [ProAir Accessories]

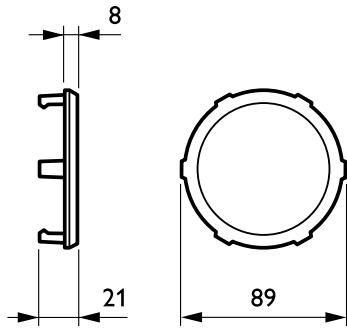
Mechanical and Housing	
Dimensions (Height x Width x Depth)	NaN x NaN x NaN mm (NaN x NaN x NaN in)

Product Data	
Full product code	871869625987000

Order product name	ST640Z HC
EAN/UPC - Product	8718696259870
Order code	910500456882
Numerator - Quantity Per Pack	1
Numerator - Packs per outer box	1
Material Nr. (12NC)	910500456882
Net Weight (Piece)	0.115 kg

ProAir

Dimensional drawing



ProAir acc. ST640Z

