



# StyliD

## ST730T LED12S/930 PSU NB BK

STYLID MINI G3 TRACK - LED Module, system flux 1100 lm - 930 warm white - Power supply unit, DC compatible for central emergency lighting - Narrow beam - Black

Retailers are increasingly having to contend with rising energy prices. At the same time, they need to retain the quality of light they are used to, flexibility in architectural integration, and the right light effects to catch the customer's eye. Last but not least, they need future-proof solutions that will enable them to implement differentiating concepts in their store. Delivering high-quality light, punch in the beam and outstanding luminous efficacy, StyliD is the ideal energy-efficient solution for today's demanding retail environments, covering a variety of lighting applications, with including CrispWhite for fashion stores and Food recipes for supermarkets.

### Product data

| General Information           |  |                             |  |
|-------------------------------|--|-----------------------------|--|
| Number of light sources       | 1 [ 1 pc]  | Optical cover/lens type     | No [ -]  |
| Lamp family code              | LED11S [ LED Module, system flux 1100 lm]                              | Luminaire light beam spread | 10°  |
| Beam angle of light source    | 120 °  | Connection                  | PIP [ Push-in connector and pull relief]         |
| Light source colour           | 930 warm white   | Cable                       | -  |
| Cap base                      | NA [ -]  | Protection class IEC        | Safety class II (II)                             |
| Light source replaceable      | No   | Glow-wire test              | 650/30 [ Temperature 650 °C, duration 30 s]      |
| Number of gear units          | 1 unit   | Flammability mark           | F [ For mounting on normally flammable surfaces] |
| Gear                          | -  | CE mark                     | CE mark  |
| Driver/power unit/transformer | PSE [ Power supply unit, DC compatible for central emergency lighting] | ENEC mark                   | ENEC mark  |
| Driver included               | Yes  | UL mark                     | -  |
| Optic type                    | NB [ Narrow beam]  | Warranty period             | 5 years  |
|                               |  | Glare shielding accessories | No [ -]  |

|                           |   |
|---------------------------|---|
| Remarks                   | *-Per Lighting Europe guidance paper "Evaluating performance of LED based luminaires - January 2018": statistically there is no relevant difference in lumen maintenance between B50 and for example B10. Therefore the median useful life (B50) value also represents the B10 value. |
| Constant light output     | No  |
| Number of products on MCB | 24  |
| RoHS mark                 | RoHS mark   |
| Product Family Code       | ST730T [ STYLID MINI G3 TRACK]  |

## Operating and Electrical

|                     |              |
|---------------------|--------------|
| Input voltage       | 220 to 240 V |
| Input frequency     | 50 to 60 Hz  |
| Inrush current      | 14 A         |
| Inrush time         | 0.25 ms      |
| Power factor (min.) | 0.9          |

## Controls and Dimming

|          |    |
|----------|----|
| Dimmable | No |
|----------|----|

## Mechanical and Housing

|                                     |   |
|-------------------------------------|---|
| Housing material                    | Metal-Plastic                           |
| Reflector material                  | Polycarbonate aluminum coated           |
| Optic material                      | Polycarbonate                           |
| Optical cover/lens material         | Glass                                   |
| Fixation material                   | -                                       |
| Optical cover/lens finish           | Clear                                   |
| Overall length                      | 258 mm                                  |
| Overall width                       | 73 mm                                   |
| Overall height                      | 159 mm                                  |
| Colour                              | Black                                   |
| Dimensions (height x width x depth) | 159 x 73 x 258 mm (6.3 x 2.9 x 10.2 in) |

## Approval and Application

|                         |                          |
|-------------------------|--------------------------|
| Ingress protection code | IP20 [ Finger-protected] |
|-------------------------|--------------------------|

|                              |                        |
|------------------------------|------------------------|
| Mech. impact protection code | IK02 [ 0.2 J standard] |
|------------------------------|------------------------|

## Initial Performance (IEC Compliant)

|                                |                       |
|--------------------------------|-----------------------|
| Initial luminous flux          | 1200 lm               |
| Luminous flux tolerance        | +/-10%                |
| Initial LED luminaire efficacy | 88.8888888888889 lm/W |
| Init. Corr. colour temperature | 3000 K                |
| Init. colour rendering index   | ≥90                   |
| Initial chromaticity           | (0.43, 0.40) SDCM <3  |
| Initial input power            | 13.5 W                |
| Power consumption tolerance    | +/-10%                |

## Over Time Performance (IEC Compliant)

|  |     |
|--|-----|
| Control gear failure rate at median useful life 50,000 h | 5 % |
| Lumen maintenance at median useful life* 50,000 h        | L80 |

## Application Conditions

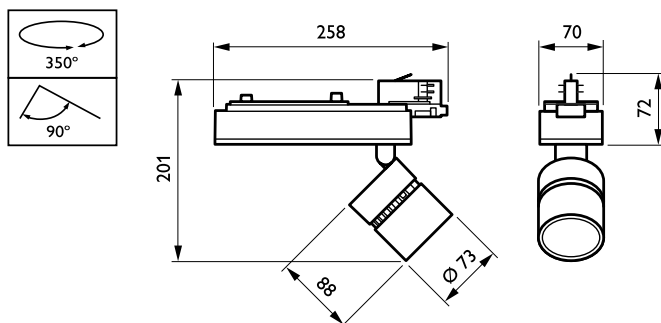
|                                    |               |
|------------------------------------|---------------|
| Ambient temperature range          | +10 to +40 °C |
| Performance ambient temperature Tq | 25 °C         |
| Suitable for random switching      | Yes           |

## Product Data

|                                 |                             |
|---------------------------------|-----------------------------|
| Full product code               | 871869684818000             |
| Order product name              | ST730T LED12S/930 PSU NB BK |
| EAN/UPC – product               | 8718696848180               |
| Order code                      | 84818000                    |
| Numerator – quantity per pack   | 1                           |
| Numerator – packs per outer box | 1                           |
| Material no. (12NC)             | 910500457341                |
| Net weight (piece)              | 0.800 kg                    |

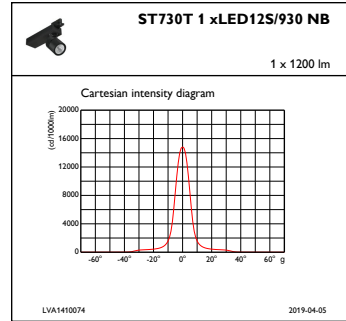
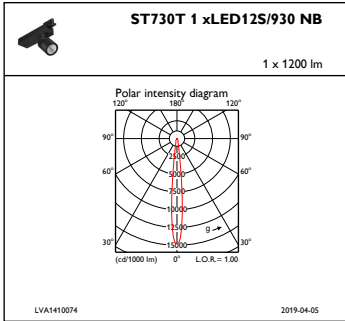


## Dimensional drawing



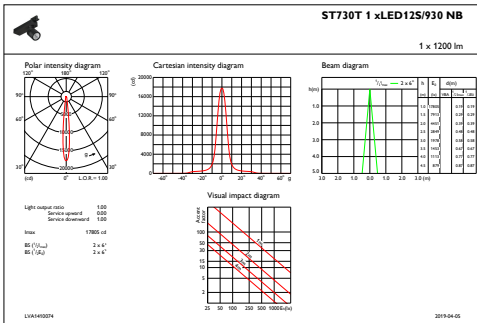
StyliD ST730C-ST750T

Photometric data



IFPC1\_ST730T1xLED12S930NB

IFCC1\_ST730T1xLED12S930NB



IFAS1\_ST730T1xLED12S930NB

