



StyliD

ST740C LED27S/830 PSU WB WH

STYLID COMPACT G3 SURFACE - LED Module, system flux 2700 lm - 830 warm white - Power supply unit, DC compatible for central emergency lighting - Wide beam - White

Retailers are increasingly having to contend with rising energy prices. At the same time, they need to retain the quality of light they are used to, flexibility in architectural integration, and the right light effects to catch the customer's eye. Last but not least, they need future-proof solutions that will enable them to implement differentiating concepts in their store. Delivering high-quality light, punch in the beam and outstanding luminous efficacy, StyliD is the ideal energy-efficient solution for today's demanding retail environments, covering a variety of lighting applications, with including CrispWhite for fashion stores and Food recipes for supermarkets.

Product data

General Information			
Number of light sources	1 [1 pc]	Optical cover/lens type	No [-]
Lamp family code	LED27S [LED Module, system flux 2700 lm]	Luminaire light beam spread	34°
Beam angle of light source	120 °	Connection	PIP [Push-in connector and pull relief]
Light source colour	830 warm white	Cable	-
Cap base	NA [-]	Protection class IEC	Safety class II (II)
Light source replaceable	No	Glow-wire test	650/30 [Temperature 650 °C, duration 30 s]
Number of gear units	1 unit	Flammability mark	F [For mounting on normally flammable surfaces]
Gear	-	CE mark	CE mark
Driver/power unit/transformer	PSE [Power supply unit, DC compatible for central emergency lighting]	ENEC mark	ENEC mark
Driver included	Yes	UL mark	-
Optic type	WB [Wide beam]	Warranty period	5 years
		Glare shielding accessories	No [-]

Remarks	*-Per Lighting Europe guidance paper "Evaluating performance of LED based luminaires - January 2018": statistically there is no relevant difference in lumen maintenance between B50 and for example B10. Therefore the median useful life (B50) value also represents the B10 value.
Constant light output	No
Number of products on MCB	32
RoHS mark	RoHS mark
Product Family Code	ST740C [STYLID COMPACT G3 SURFACE]

Operating and Electrical

Input voltage	220 to 240 V
Input frequency	50 to 60 Hz
Inrush current	14.5 A
Inrush time	0.22 ms
Power factor (min.)	0.9

Controls and Dimming

Dimmable	No
----------	----

Mechanical and Housing

Housing material	Metal-Plastic
Reflector material	Polycarbonate aluminum coated
Optic material	Polycarbonate
Optical cover/lens material	Polymethyl methacrylate
Fixation material	Polyamide
Optical cover/lens finish	Clear
Overall length	218 mm
Overall width	89 mm
Overall height	179 mm
Colour	White
Dimensions (height x width x depth)	179 x 89 x 218 mm (7 x 3.5 x 8.6 in)

Approval and Application

Ingress protection code	IP20 [Finger-protected]
-------------------------	--------------------------

Mech. impact protection code	IK02 [0.2 J standard]
------------------------------	------------------------

Initial Performance (IEC Compliant)

Initial luminous flux	2700 lm
Luminous flux tolerance	+/-10%
Initial LED luminaire efficacy	120 lm/W
Init. Corr. colour temperature	3000 K
Init. colour rendering index	≥80
Initial chromaticity	(0.43, 0.40) SDCM <3
Initial input power	22.5 W
Power consumption tolerance	+/-10%

Over Time Performance (IEC Compliant)

Control gear failure rate at median useful life 50,000 h	5 %
Lumen maintenance at median useful life* 50,000 h	L80

Application Conditions

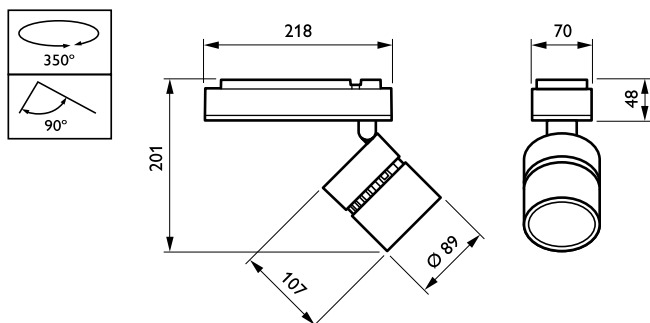
Ambient temperature range	+10 to +40 °C
Performance ambient temperature Tq	25 °C
Suitable for random switching	Yes

Product Data

Full product code	871869684837100
Order product name	ST740C LED27S/830 PSU WB WH
EAN/UPC – product	8718696848371
Order code	84837100
Numerator – quantity per pack	1
Numerator – packs per outer box	1
Material no. (12NC)	910500457360
Net weight (piece)	1.200 kg

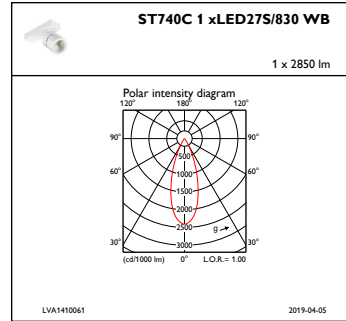
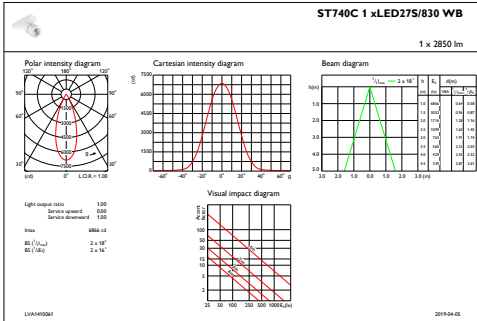


Dimensional drawing



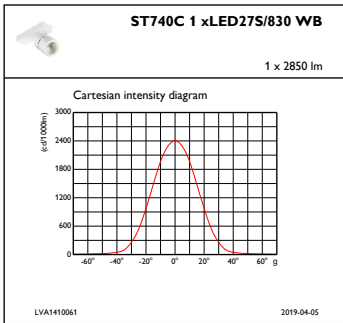
StyliD ST730C-ST750T

Photometric data



IFAS1_ST740C1xLED27S830WB

IFPC1_ST740C1xLED27S830WB



IFCC1_ST740C1xLED27S830WB

