



# LuxSpace Accent Mini

## RS741B LED27S/827 PSU-E WB WH LIN

LuxSpace Accent Compact G3, LED Module, system flux 2700 lm, 827 warm white, Power supply unit external (On/Off), Wide beam, Linear-lens array oval shape, White

Retailers are increasingly having to contend with rising energy prices. At the same time, they need to retain the quality of light they are used to, flexibility in architectural integration, and the right light effects to catch the customer's eye. Last but not least, they need future-proof solutions that will enable them to implement differentiating concepts in their store. Delivering high-quality light, punch in the beam and outstanding luminous efficacy, LuxSpace Accent is the ideal energy-efficient solution for today's demanding retail environments, covering a wide variety of lighting applications, including CrispWhite for fashion stores and Food recipes for supermarkets.

### Product data

General Information		Light Technical	
<b>Lamp family code</b>	LED27S [LED Module, system flux 2700 lm]	<b>Product family code</b>	RS741B [LuxSpace Accent Compact G3]
<b>Light source replaceable</b>	No	<b>Lighting Technology</b>	LED
<b>Number of gear units</b>	1 unit	<b>Value ladder</b>	Specification
<b>Driver included</b>	Yes	<b>CE mark</b>	Yes
<b>Remarks</b>	*-Per Lighting Europe guidance paper "Evaluating performance of LED based luminaires - January 2018": statistically there is no relevant difference in lumen maintenance between B50 and for example B10. Therefore, the median useful life (B50) value also represents the B10 value.	<b>Warranty period</b>	5 years
<b>Service tag</b>	Yes	<b>Flammability mark</b>	For mounting on normally flammable surfaces
		<b>ENEC mark</b>	ENEC mark
		<b>Glow-wire test</b>	Temperature 650 °C, duration 5 s
		<b>EU RoHS compliant</b>	Yes
		<b>Luminous Flux</b>	2,750 lm

# LuxSpace Accent Mini

Correlated Color Temperature (Nom)	2700 K
Luminous Efficacy (rated) (Nom)	122 lm/W
Color rendering index (CRI)	≥80
Number of light sources	1
Beam angle of light source	120 degree(s)
Light source color	827 warm white
Optic type	Wide beam
Optical cover type	Linear-lens array oval shape
Luminaire light beam spread	30° x 60°

## Operating and Electrical

Input Voltage	220 to 240 V
Line Frequency	50 to 60 Hz
Initial CLO power consumption	- W
Average CLO power consumption	- W
Inrush current	5.3 A
Inrush time	0.7 ms
Power Consumption	22.5 W
Power Factor (Fraction)	0.9
Connection	Push-in connector and pull relief
Cable	-
Number of products on MCB of 16 A type B	40

## Temperature

Ambient temperature range	+10 to +40 °C
---------------------------	---------------

## Controls and Dimming

Dimmable	No
Driver/power unit/transformer	Power supply unit external (On/Off)
Control interface	-
Constant light output	No

## Mechanical and Housing

Housing Material	Aluminum
Reflector material	Polycarbonate aluminum coated
Optic material	Polycarbonate
Optical cover material	Polycarbonate

Fixation material	-
Housing Color	White
Optical cover finish	Clear
Overall height	126 mm
Overall diameter	130 mm

## Approval and Application

Ingress protection code	IP20 [Finger-protected]
Mech. impact protection code	IK02 [0.2 J standard]
Protection class IEC	Safety class II

## Initial Performance (IEC Compliant)

Luminous flux tolerance	+/-10%
Initial chromaticity	(0.46, 0.41) SDCM <3
Power consumption tolerance	+/-10%

## Over Time Performance (IEC Compliant)

Control gear failure rate at median useful life 50000 h	5 %
Lumen maintenance at median useful life* 50000 h	L80

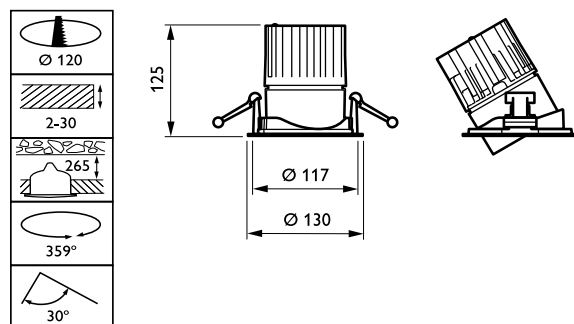
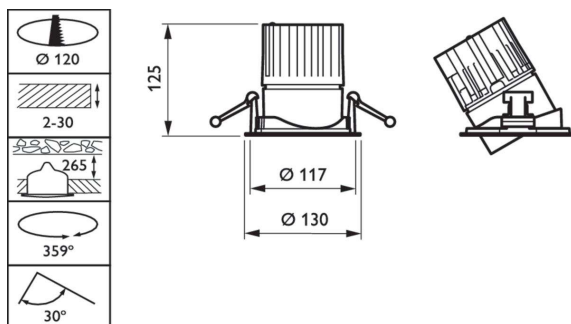
## Application Conditions

Performance ambient temperature Tq	25 °C
Suitable for random switching	Yes

## Product Data

Order product name	RS741B LED27S/827 PSU-E WB WH LIN
Full product name	RS741B LED27S/827 PSU-E WB WH LIN
Full product code	871869685139500
Order code	85139500
Material Nr. (12NC)	910500457644
Numerator - Quantity Per Pack	1
EAN/UPC - Product/Case	8718696851395
Numerator - Packs per outer box	1
EAN/UPC - Case	8718696851395

## Dimensional drawing



## LuxSpace Accent Mini

