



LuxSpace Accent

RS741B LED27S/840 PSU-E WB WH

LuxSpace Accent Compact G3 - LED Module, system flux 2700 lm - 840 neutral white - Power supply unit external (PSU) - Wide beam - White

Retailers are increasingly having to contend with rising energy prices. At the same time, they need to retain the quality of light they are used to, flexibility in architectural integration, and the right light effects to catch the customer's eye. Last but not least, they need future-proof solutions that will enable them to implement differentiating concepts in their store. Delivering high-quality light, punch in the beam and outstanding luminous efficacy, LuxSpace Accent is the ideal energy-efficient solution for today's demanding retail environments, covering a wide variety of lighting applications, including CrispWhite for fashion stores and Food recipes for supermarkets.

Product data

General Information		Cable	-
Number of light sources	1 [1 pc]	Protection class IEC	Safety class II
Lamp family code	LED27S [LED Module, system flux 2700 lm]	Glow-wire test	Temperature 650 °C, duration 5 s
Beam angle of light source	120 °	Flammability mark	F [For mounting on normally flammable surfaces]
Light source colour	840 neutral white	CE mark	CE mark
Light source replaceable	No	ENEC mark	ENEC mark
Number of gear units	1 unit	UL mark	No
Driver/power unit/transformer	PSU-E [Power supply unit external (PSU)]	Warranty period	5 years
Driver included	Yes	Remarks	*-Per Lighting Europe guidance paper "Evaluating performance of LED based luminaires - January 2018": statistically there is no relevant difference in lumen maintenance
Optic type	WB [Wide beam]		
Optical cover/lens type	GC [Clear glass]		
Luminaire light beam spread	34°		
Connection	Push-in connector and pull relief		

LuxSpace Accent

	between B50 and for example B10. Therefore the median useful life (B50) value also represents the B10 value.
Constant light output	No
Number of products on MCB	28
RoHS mark	RoHS mark
Product Family Code	RS741B [LuxSpace Accent Compact G3]

Operating and Electrical

Input voltage	220 to 240 V
Input frequency	50 to 60 Hz
Inrush current	5.3 A
Inrush time	0.07 ms
Power factor (min.)	0.9

Controls and Dimming

Dimmable	No
----------	----

Mechanical and Housing

Housing material	Aluminium
Reflector material	Polycarbonate aluminium coated
Optic material	Polycarbonate
Optical cover/lens material	Polycarbonate
Fixation material	-
Optical cover/lens finish	Clear
Overall height	125 mm
Overall diameter	130 mm
Colour	White
Dimensions (height x width x depth)	125 x NaN x NaN mm (4.9 x NaN x NaN in)

Approval and Application

Ingress protection code	IP20 [Finger-protected]
Mech. impact protection code	IK02 [0.2 J standard]

Initial Performance (IEC Compliant)

Initial luminous flux	3000 lm
Luminous flux tolerance	+/-10%
Initial LED luminaire efficacy	133.33333333333334 lm/W
Init. Corr. colour temperature	4000 K
Init. colour rendering index	≥80
Initial chromaticity	(0.38, 0.38) SDCM <3
Initial input power	22.5 W
Power consumption tolerance	+/-10%

Over Time Performance (IEC Compliant)

Control gear failure rate at median useful life 50000 h	5 %
Lumen maintenance at median useful life* 50000 h	L80

Application Conditions

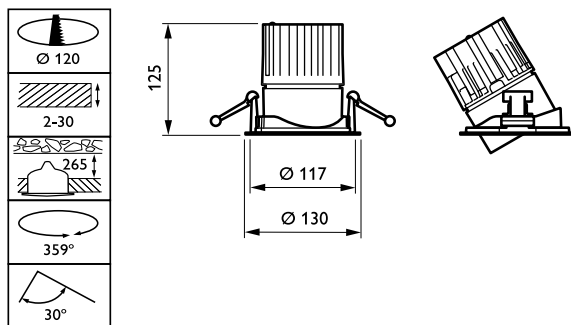
Ambient temperature range	+10 to +40 °C
Performance ambient temperature Tq	25 °C
Suitable for random switching	Yes

Product Data

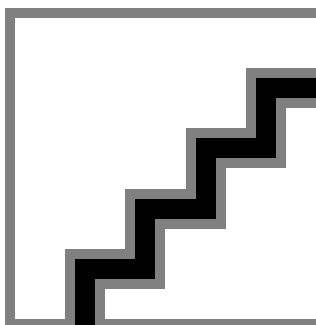
Full product code	871869685140100
Order product name	RS741B LED27S/840 PSU-E WB WH
EAN/UPC – product	8718696851401
Order code	85140100
Numerator – quantity per pack	1
Numerator – packs per outer box	1
Material no. (12NC)	910500457645
Net weight (piece)	0.740 kg



Dimensional drawing

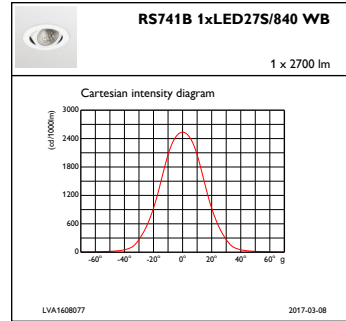
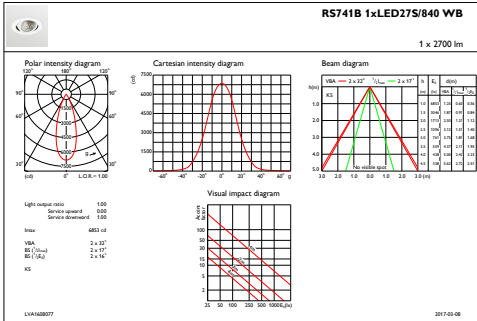


LuxSpace Accent RS730B-RS752B



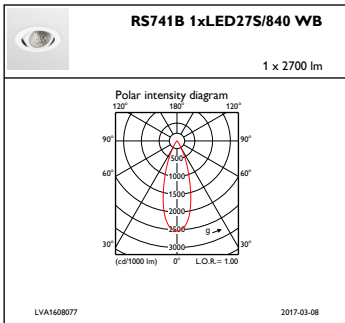
LuxSpace Accent RS730B-RS752B

Photometric data



IFAS1_RS741B1xLED27S840WB

IFCC1_RS741B1xLED27S840WB



IFPC1_RS741B1xLED27S840WB

