



# CoreLine Downlight

## DN131B LED10S/840 PSU PI6 ALU

CoreLine Downlight ALU, LED Module, system flux 1000 lm, 840 neutral white, Power supply unit (On/Off), Finger-protected, Aluminium

The CoreLine Downlight range of recessed luminaires is designed to replace CFL-ni/CFL-i based downlight luminaires. Their attractive TCO helps customers to make the switch to LED. These luminaires create a natural lighting effect for use in general lighting applications. They also deliver instant energy savings and have a much longer lifetime, creating a real value-for-money and environmentally friendly solution. They are easy to install thanks to their standard cut-out size and push-in connectors.

### Product data

General Information		Value ladder	
Lamp family code	LED10S [LED Module, system flux 1000 lm]	CE mark	Performance
Light source replaceable	No	Warranty period	5 years
Number of gear units	Unit	Flammability mark	For mounting on normally flammable surfaces
Driver included	Yes	ENEC mark	-
Remarks	* - According to the Lighting Europe guidance paper 'Evaluating performance of LED based luminaires – January 2018': statistically there is no relevant difference in lumen maintenance between the B50 and, for example, the B10. Therefore, the median useful life (B50) value also represents the B10 value.	Glow-wire test	Temperature 850 °C, duration 5 s
Product family code	DN131B [CoreLine Downlight ALU]	EU RoHS compliant	Yes
Lighting Technology	LED	Light Technical	
		Luminous Flux	1,100 lm
		Correlated Colour Temperature	4000 K
		Luminous efficacy (rated) (nom.)	100 lm/W
		Colour rendering index (CRI)	80
		Beam angle of light source	120 degree(s)

# CoreLine Downlight

Light source colour	840 neutral white
Optic type	Wide beam
Optical cover type	Acrylic bowl/cover frosted
Luminaire light beam spread	79°
Unified Glare Rating (CEN)	25

## Operating and Electrical

Input Voltage	220 to 240 V
Line Frequency	50 to 60 Hz
Inrush current	16 A
Inrush time	0.5 ms
Power Consumption	11 W
Power Factor (Fraction)	0.9
Connection	Push-in connector 6-pole
Cable	-
Number of products on MCB of 16 A type B	30

## Temperature

Ambient temperature range	-10 to +40 °C
---------------------------	---------------

## Controls and Dimming

Dimmable	No
Driver/power unit/transformer	Power supply unit (On/Off)
Constant light output	No

## Mechanical and Housing

Housing material	Polycarbonate
Reflector material	Polycarbonate
Optic material	Aluminium
Optical cover/lens material	Polycarbonate
Fixation material	Steel
Housing Colour	Aluminium
Optical cover/lens finish	Frosted
Overall height	99 mm

Overall diameter	166 mm
------------------	--------

## Approval and Application

Ingress protection code	IP20 [Finger-protected]
Mech. impact protection code	IK02 [0.2 J standard]
Protection class IEC	Safety class I

## Initial Performance (IEC Compliant)

Luminous flux tolerance	+/-10%
Initial chromaticity	(0.38, 0.37) SDCM <5
Power consumption tolerance	+/-10%

## Over Time Performance (IEC Compliant)

Control gear failure rate at median useful life 50,000 h	5 %
Lumen maintenance at median useful life* 50,000 h	L70

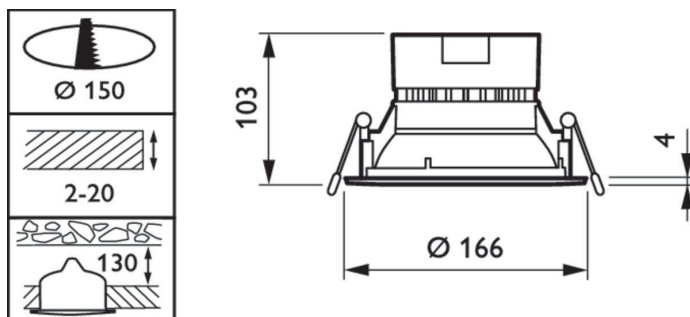
## Application Conditions

Performance ambient temperature Tq	25 °C
Suitable for random switching	Yes

## Product Data

Order product name	DN131B LED10S/840 PSU PI6 ALU
Full product name	DN131B LED10S/840 PSU PI6 ALU
Full EOC	871869685273600
Order code	85273600
Material no. (12 NC)	910500457728
SAP numerator – quantity per pack	1
EAN/UPC – Product/Case	8718696852736
Numerator – packs per outer box	1
EAN/UPC - Case	8718696852736

## Dimensional drawing



## CoreLine Downlight

