



StoreFlux gen3 rimless

GD611B LED12S/830 PSU-E MB WH-WH

StoreFlux3, LED module, system flux 1200 lm, 830 warm white, Power supply unit external (On/Off), Medium beam, White and white

The StoreFlux gridlight can be equipped with up to three LED modules with a special reflector system to deliver top-quality light that makes your shop and merchandise look great. The combination of multiple LED sources with high lumen packages in one luminaire creates sparkling light effects. StoreFlux offers low maintenance compared with CDM and high efficiency compared to halogen.

Product data

General Information	
Lamp family code	LED12S [LED module, system flux 1200 lm]
Light source replaceable	No
Number of gear units	1 unit
Driver included	Yes
Remarks	*-Per Lighting Europe guidance paper "Evaluating performance of LED based luminaires - January 2018": statistically there is no relevant difference in lumen maintenance between B50 and for example B10. Therefore, the median useful life (B50) value also represents the B10 value.
Service tag	Yes
Product family code	GD611B [StoreFlux3]
Lighting Technology	LED

Value ladder	Specification
CE mark	Yes
Warranty period	5 years
Flammability mark	For mounting on normally flammable surfaces
ENEC mark	ENEC mark
Glow-wire test	Temperature 650 °C, duration 5 s
EU RoHS compliant	Yes

Light Technical	
Luminous Flux	1,200 lm
Correlated Color Temperature (Nom)	3000 K
Luminous Efficacy (rated) (Nom)	120 lm/W
Color rendering index (CRI)	≥80

StoreFlux gen3 rimless

Number of light sources	1
Beam angle of light source	120 degree(s)
Light source color	830 warm white
Optic type	Medium beam
Optical cover type	Acrylic toothed
Luminaire light beam spread	22°
Unified glare rating CEN	Not applicable

Operating and Electrical

Input Voltage	220 to 240 V
Line Frequency	50 to 60 Hz
Inrush current	18 A
Inrush time	0.25 ms
Power Consumption	10 W
Power Factor (Fraction)	0.9
Connection	Push-in connector and pull relief
Cable	-
Number of products on MCB of 16 A type B	34

Temperature

Ambient temperature range	+10 to +40 °C
---------------------------	---------------

Controls and Dimming

Dimmable	No
Driver/power unit/transformer	Power supply unit external (On/Off)
Control interface	-
Constant light output	No

Mechanical and Housing

Housing Material	Steel
Reflector material	Polycarbonate
Optic material	Polycarbonate
Optical cover material	Polycarbonate
Fixation material	Steel
Housing Color	White and white
Optical cover finish	Clear
Overall length	147 mm

Overall width	147 mm
Overall height	165 mm
Dimensions (Height x Width x Depth)	165 x 147 x 147 mm

Approval and Application

Ingress protection code	IP20 [Finger-protected]
Mech. impact protection code	IK02 [0.2 J standard]
Protection class IEC	Safety class II

Initial Performance (IEC Compliant)

Luminous flux tolerance	+/-10%
Initial chromaticity	(0.43, 0.40) SDCM <3
Power consumption tolerance	+/-10%

Over Time Performance (IEC Compliant)

Control gear failure rate at median useful life 50000 h	5 %
Lumen maintenance at median useful life* 50000 h	L80

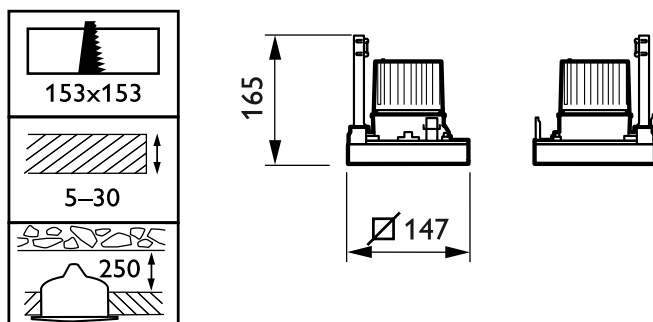
Application Conditions

Performance ambient temperature Tq	25 °C
Maximum dim level	Not applicable
Suitable for random switching	No

Product Data

Order product name	GD611B LED12S/830 PSU-E MB WH-WH
Full product name	GD611B LED12S/830 PSU-E MB WH-WH
Full product code	871869691063400
Order code	910500458447
Material Nr. (12NC)	910500458447
Numerator - Quantity Per Pack	1
EAN/UPC - Product/Case	8718696910634
Numerator - Packs per outer box	1
EAN/UPC - Case	8718696910634

Dimensional drawing



StoreFlux gen3 rimless

