



GreenSpace Accent Projector

ST320T LED17S/840 PSU MB WH

GREENSPACE ACCENT PROJECTOR - LED module 1700 lm - 840 neutral white - Power supply unit - Medium beam - White

Thanks to the GreenSpace Accent family, retailers and building operators can now make the switch from CDM to LED and enjoy the benefits of Philips PerfectAccent light quality as well as significant energy savings – all for a reasonable initial investment. GreenSpace Accent Projector's regular 3C adaptor and specific lumen packages make retrofit installation quick and easy. For fashion and food retailers, the GreenSpace Accent Projector is available with special light flavours and LED recipes to show the clothes and fresh food produce on offer in the very best light. Check out our Fashion and Food catalogue pages to find out more about CrispWhite, PremiumWhite, Fresh Food Meat and Fresh Food Champagne.

Product data

General Information		Luminaire light beam spread	
Number of light sources	1 [1 pc]	Luminaire light beam spread	24°
Lamp family code	LED17 [LED module 1700 lm]	Connection	No [-]
Beam angle of light source	120 °	Cable	-
Light source colour	840 neutral white	Protection class IEC	Safety class II (II)
Cap base	- [-]	Mounting	3C-69 [3-circuit power track adapter GA69 (connection point) for XTS and XTSE tracks]
Light source replaceable	No	Glow-wire test	650/5 [Temperature 650 °C, duration 5 s]
Number of gear units	1 unit	Flammability mark	F [For mounting on normally flammable surfaces]
Driver/power unit/transformer	PSU [Power supply unit]	CE mark	CE mark
Driver included	Yes	ENEC mark	ENEC mark
Optic type	MB [Medium beam]	UL mark	-
Optical cover/lens type	PM [PMMA bowl/cover]		

GreenSpace Accent Projector

Warranty period	5 years
Remarks	*- According to the Lighting Europe guidance paper 'Evaluating performance of LED based luminaires – January 2018': statistically there is no relevant difference in lumen maintenance between the B50 and, for example, the B10. Therefore, the median useful life (B50) value also represents the B10 value.
Constant light output	No
Number of products on MCB (16 A type B)	32
EU RoHS compliant	Yes
Product family code	ST320T [GREENSPACE ACCENT PROJECTOR]
Unified glare rating CEN	Not applicable

Operating and Electrical

Input Voltage	220-240 V
Input frequency	50 to 60 Hz
Inrush current	18.6 A
Inrush time	0.240 ms
Power factor (min.)	0.9

Controls and Dimming

Dimmable	No
----------	----

Mechanical and Housing

Housing material	Aluminum
Reflector material	Polycarbonate aluminum coated
Optic material	Polycarbonate
Optical cover/lens material	Polymethyl methacrylate
Fixation material	Polyamide
Optical cover/lens finish	Clear
Overall length	182 mm
Overall width	114 mm
Overall height	193 mm
Colour	White
Dimensions (height x width x depth)	193 x 114 x 182 mm (7.6 x 4.5 x 7.2 in)

Approval and Application

Ingress protection code	IP20 [Finger-protected]
Mech. impact protection code	IK02 [0.2 J standard]

Initial Performance (IEC Compliant)

Initial luminous flux (system flux)	1800 lm
Luminous flux tolerance	+/-10%
Initial LED luminaire efficacy	125 lm/W
Init. Corr. Colour Temperature	4000 K
Init. colour rendering index	≥80
Initial chromaticity	(0.38, 0.38) SDCM<3
Initial input power	14.4 W
Power consumption tolerance	+/-10%

Over Time Performance (IEC Compliant)

Control gear failure rate at median useful life 50,000 h	5 %
Lumen maintenance at median useful life* 50,000 h	L80

Application Conditions

Ambient temperature range	+10 to +40 °C
Performance ambient temperature Tq	25 °C
Suitable for random switching	Yes

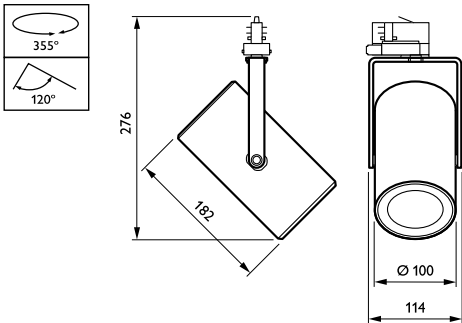
Product Data

Full product code	871869916654000
Order product name	ST320T LED175/840 PSU MB WH
EAN/UPC – product	8718699166540
Order code	16654000
SAP numerator – quantity per pack	1
SAP numerator – packs per outer box	1
Material no. (12 NC)	910500459372
SAP net weight (piece)	0.980 kg



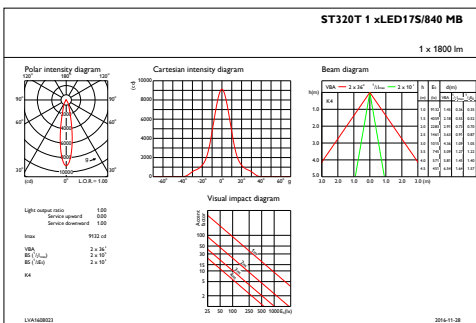
GreenSpace Accent Projector

Dimensional drawing

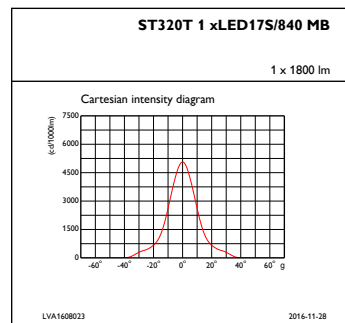


GreenSpace Accent ST315T-ST330T

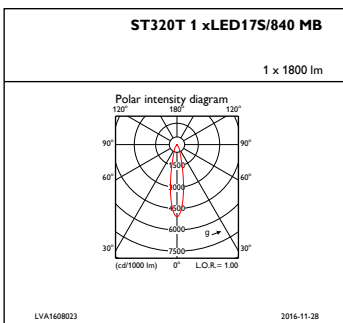
Photometric data



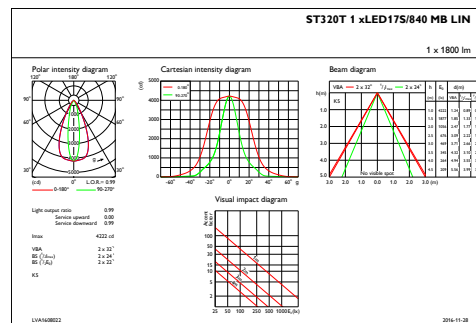
IFAS1_ST320T1xLED17S840MB



IFCC1_ST320T1xLED17S840MB



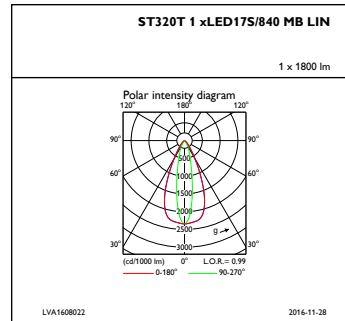
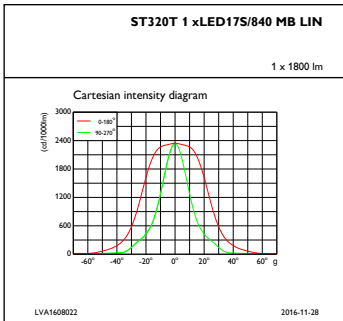
IFPC1_ST320T1xLED17S840MB



IFAS1_ST320T1xLED17S840MBLIN

GreenSpace Accent Projector

Photometric data



IFCC1_ST320T1xLED17S840MBLIN

IFPC1_ST320T1xLED17S840MBLIN

