



# GreenSpace Accent Projector

## ST320T LED17S/CRW PSU MB WH

GREENSPACE ACCENT PROJECTOR - LED module 1700 lm - Crisp white - Power supply unit - Medium beam - White

Thanks to the GreenSpace Accent family, retailers and building operators can now make the switch from CDM to LED and enjoy the benefits of Philips PerfectAccent light quality as well as significant energy savings – all for a reasonable initial investment. GreenSpace Accent Projector’s regular 3C adaptor and specific lumen packages make retrofit installation quick and easy. For fashion and food retailers, the GreenSpace Accent Projector is available with special light flavours and LED recipes to show the clothes and fresh food produce on offer in the very best light. Check out our Fashion and Food catalogue pages to find out more about CrispWhite, PremiumWhite, Fresh Food Meat and Fresh Food Champagne.

### Product data

General Information		Luminaire light beam spread	
Number of light sources	1 [ 1 pc]	Luminaire light beam spread	24°
Lamp family code	LED17 [ LED module 1700 lm]	Connection	No [ -]
Beam angle of light source	120 °	Cable	-
Light source colour	Crisp white	Protection class IEC	Safety class II (II)
Cap base	- [ -]	Mounting	3C-69 [ 3-circuit power track adapter GA69 (connection point) for XTS and XTSF tracks]
Light source replaceable	No	Glow-wire test	650/5 [ Temperature 650 °C, duration 5 s]
Number of gear units	1 unit	Flammability mark	F [ For mounting on normally flammable surfaces]
Driver/power unit/transformer	PSU [ Power supply unit]	CE mark	CE mark
Driver included	Yes	ENEC mark	ENEC mark
Optic type	MB [ Medium beam]	UL mark	-
Optical cover/lens type	PM [ PMMA bowl/cover]		

# GreenSpace Accent Projector

Warranty period	5 years
Remarks	*-Per Lighting Europe guidance paper "Evaluating performance of LED based luminaires - January 2018": statistically there is no relevant difference in lumen maintenance between B50 and for example B10. Therefore the median useful life (B50) value also represents the B10 value.
Constant light output	No
Number of products on MCB	32
RoHS mark	RoHS mark
Product Family Code	ST320T [ GREENSPACE ACCENT PROJECTOR]

## Operating and Electrical

Input voltage	220-240 V
Input frequency	50 to 60 Hz
Inrush current	18.6 A
Inrush time	0.240 ms
Power factor (min.)	0.9

## Controls and Dimming

Dimmable	No
----------	----

## Mechanical and Housing

Housing material	Aluminum
Reflector material	Polycarbonate aluminum coated
Optic material	Polycarbonate
Optical cover/lens material	Polymethyl methacrylate
Fixation material	Polyamide
Optical cover/lens finish	Clear
Overall length	182 mm
Overall width	114 mm
Overall height	193 mm
Colour	White

## Approval and Application

Ingress protection code	IP20 [ Finger-protected]
-------------------------	--------------------------

Mech. impact protection code	IK02 [ 0.2 J standard]
------------------------------	------------------------

## Initial Performance (IEC Compliant)

Initial luminous flux	1700 lm
Luminous flux tolerance	+/-10%
Initial LED luminaire efficacy	66.66666666666667 lm/W
Init. Corr. colour temperature	3000 K
Init. colour rendering index	≥95
Initial chromaticity	(0.43, 0.40) SDCM<3
Initial input power	25.5 W
Power consumption tolerance	+/-10%

## Over Time Performance (IEC Compliant)

Control gear failure rate at median useful life 50000 h	5 %
Lumen maintenance at median useful life* 50000 h	L80

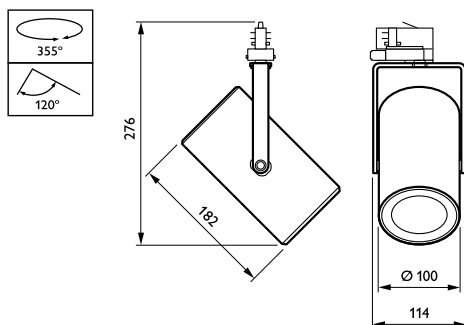
## Application Conditions

Ambient temperature range	+10 to +40 °C
Performance ambient temperature Tq	25 °C

## Product Data

Full product code	871869916655700
Order product name	ST320T LED17S/CRW PSU MB WH
EAN/UPC – product	8718699166557
Order code	16655700
Numerator – quantity per pack	1
Numerator – packs per outer box	1
Material no. (12NC)	910500459373
Net weight (piece)	0.980 kg

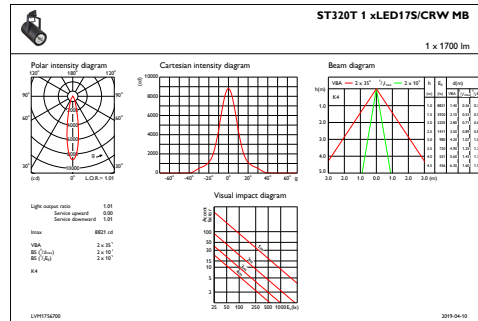
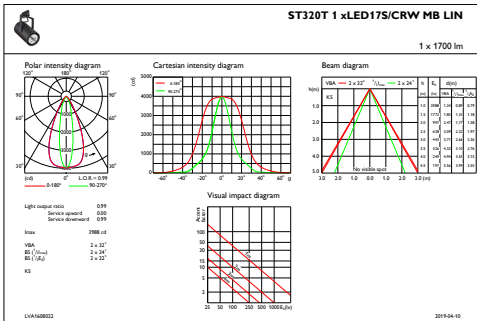
## Dimensional drawing



GreenSpace Accent ST315T-ST330T

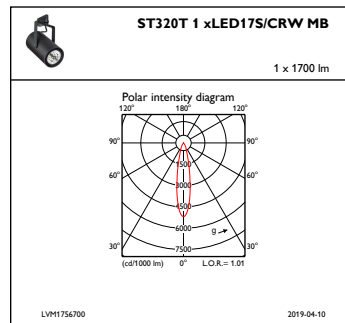
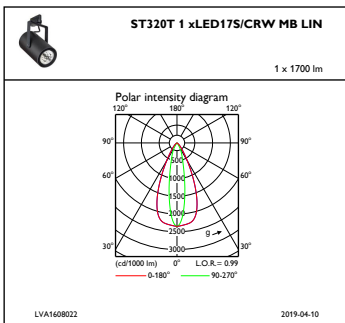
# GreenSpace Accent Projector

## Photometric data



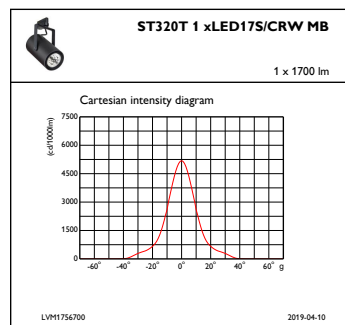
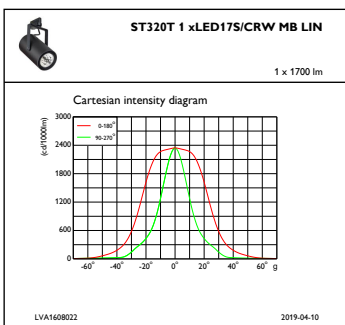
IFAS1\_ST320T1xLED17SCRWMBLIN

IFAS1\_ST320T1xLED17SCRWMB



IFPC1\_ST320T1xLED17SCRWMBLIN

IFPC1\_ST320T1xLED17SCRWMB



IFCC1\_ST320T1xLED17SCRWMBLIN

IFCC1\_ST320T1xLED17SCRWMB

## GreenSpace Accent Projector

