



GreenSpace Accent Projector Gen1

ST320T LED27S/PW930 PSU MB SI

GREENSPACE ACCENT PROJECTOR - LED module 2700 lm - Premium white with CRI ≥90 - Power supply unit - Medium beam - Silver

Thanks to the GreenSpace Accent family, retailers and building operators can now make the switch from CDM to LED and enjoy the benefits of Philips PerfectAccent light quality as well as significant energy savings – all for a reasonable initial investment. GreenSpace Accent Projector’s regular 3C adaptor and specific lumen packages make retrofit installation quick and easy. For fashion and food retailers, the GreenSpace Accent Projector is available with special light flavours and LED recipes to show the clothes and fresh food produce on offer in the very best light. Check out our Fashion and Food catalogue pages to find out more about CrispWhite, PremiumWhite, Fresh Food Meat and Fresh Food Champagne.

Product data

General information			
Number of light sources	1 [1 pc]	Optic type	MB [Medium beam]
Lamp family code	LED27 [LED module 2700 lm]	Optical cover/lens type	PM [PMMA bowl/cover]
Beam angle of light source	120 °	Luminaire light beam spread	24°
Light source colour	Premium white with CRI ≥90	Connection	No [-]
Cap base	- [-]	Cable	-
Light source replaceable	No	Protection class IEC	Safety class II (II)
Number of gear units	1 unit	Mounting	3C-69 [3-circuit power track adapter GA69 (connection point) for XTS and XTSF tracks]
Driver/power unit/transformer	PSU [Power supply unit]	Glow-wire test	650/5 [Temperature 650 °C., duration 5 s]
Driver included	Yes	Flammability mark	F [For mounting on normally flammable surfaces]

GreenSpace Accent Projector Gen1

CE mark	CE mark
ENEC mark	ENEC mark
UL mark	-
Warranty period	5 years
Remarks	*- According to the Lighting Europe guidance paper 'Evaluating performance of LED based luminaires – January 2018': statistically there is no relevant difference in lumen maintenance between the B50 and, for example, the B10. Therefore, the median useful life (B50) value also represents the B10 value.
Constant light output	No
Number of products on MCB (16 A type B)	20
EU RoHS compliant	Yes
Product family code	ST320T [GREENSPACE ACCENT PROJECTOR]
Unified glare rating CEN	Not applicable

Operating and Electrical

Input Voltage	220–240 V
Input frequency	50 to 60 Hz
Inrush current	22 A
Inrush time	0.260 ms
Power factor (min.)	0.9

Controls and Dimming

Dimmable	No
----------	----

Mechanical and Housing

Housing material	Aluminum
Reflector material	Polycarbonate aluminum coated
Optic material	Polycarbonate
Optical cover/lens material	Polymethyl methacrylate
Fixation material	Polyamide
Optical cover/lens finish	Clear
Overall length	182 mm
Overall width	114 mm
Overall height	193 mm
Colour	Silver

Dimensions (height x width x depth)	193 x 114 x 182 mm (7.6 x 4.5 x 7.2 in)
-------------------------------------	---

Approval and Application

Ingress protection code	IP20 [Finger-protected]
Mech. impact protection code	IK02 [0.2 J standard]

Initial Performance (IEC Compliant)

Initial luminous flux (system flux)	2700 lm
Luminous flux tolerance	+/-10%
Initial LED luminaire efficacy	105.88235294117646 lm/W
Init. Corr. Colour Temperature	3000 K
Init. Colour rendering index	≥90
Initial chromaticity	(0.42, 0.39) SDCM<3
Initial input power	25.5 W
Power consumption tolerance	+/-10%

Over Time Performance (IEC Compliant)

Control gear failure rate at median useful life 50,000 h	5 %
Lumen maintenance at median useful life* 50,000 h	L80

Application Conditions

Ambient temperature range	+10 to +40 °C
Performance ambient temperature Tq	25 °C
Suitable for random switching	Yes

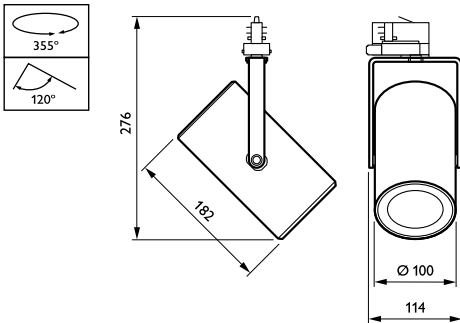
Product Data

Full product code	871869916664900
Order product name	ST320T LED27S/PW930 PSU MB SI
EAN/UPC – product	8718699166649
Order code	16664900
SAP numerator – quantity per pack	1
Numerator – packs per outer box	1
SAP material	910500459382
SAP net weight (piece)	0.980 kg



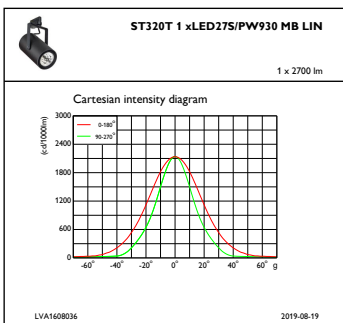
GreenSpace Accent Projector Gen1

Dimensional drawing

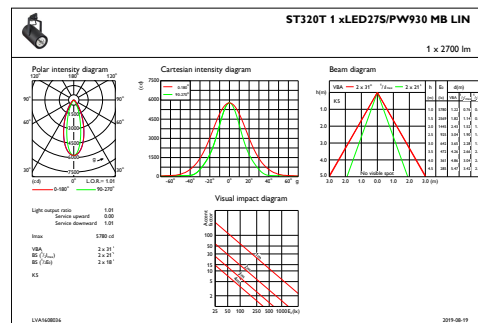


GreenSpace Accent ST315T-ST330T

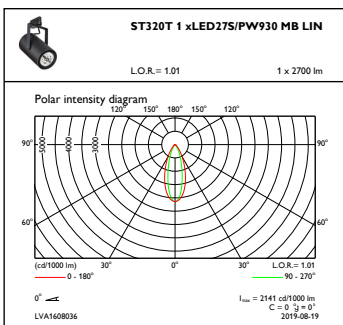
Photometric data



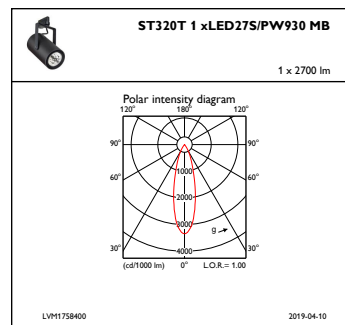
IFCC1_ST320T1xLED27SPW930MBLIN



IFAS1_ST320T1xLED27SPW930MBLIN



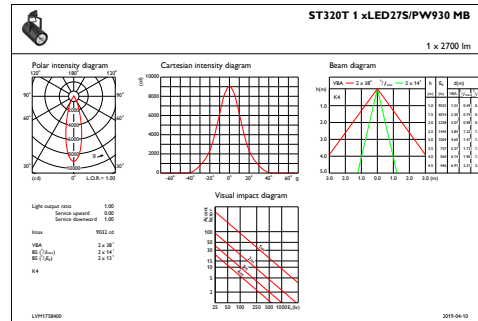
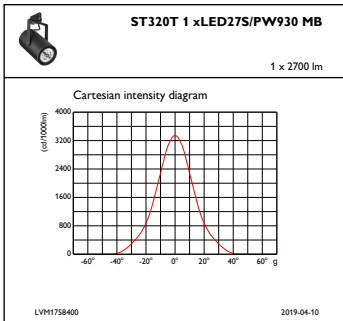
OFPC1_ST320T1xLED27SPW930MBLIN



IFPC1_ST320T1xLED27SPW930MB

GreenSpace Accent Projector Gen1

Photometric data



IFCC1_ST320T1xLED275PW930MB

IFAS1_ST320T1xLED275PW930MB

