



GreenSpace Accent Projector Gen1

ST320T LED39S/827 PSU VWB WH

GREENSPACE ACCENT PROJECTOR - LED module 3900 lm - 827 warm white - Power supply unit - Very wide beam - White

Thanks to the GreenSpace Accent family, retailers and building operators can now make the switch from CDM to LED and enjoy the benefits of Philips PerfectAccent light quality as well as significant energy savings – all for a reasonable initial investment. GreenSpace Accent Projector’s regular 3C adaptor and specific lumen packages make retrofit installation quick and easy. For fashion and food retailers, the GreenSpace Accent Projector is available with special light flavours and LED recipes to show the clothes and fresh food produce on offer in the very best light. Check out our Fashion and Food catalogue pages to find out more about CrispWhite, PremiumWhite, Fresh Food Meat and Fresh Food Champagne.

Product data

| General Information | | Luminaire light beam spread | |
|-------------------------------|-----------------------------|-----------------------------|----------------------------------------------------------------------------------------|
| Number of light sources | 1 [1 pc] | Luminaire light beam spread | 54° |
| Lamp family code | LED39 [LED module 3900 lm] | Connection | No [-] |
| Beam angle of light source | 120 ° | Cable | - |
| Light source colour | 827 warm white | Protection class IEC | Safety class II (II) |
| Cap base | - [-] | Mounting | 3C-69 [3-circuit power track adapter GA69 (connection point) for XTS and XTSF tracks] |
| Light source replaceable | No | Glow-wire test | 650/5 [Temperature 650 °C, duration 5 s] |
| Number of gear units | 1 unit | Flammability mark | F [For mounting on normally flammable surfaces] |
| Driver/power unit/transformer | PSU [Power supply unit] | CE mark | CE mark |
| Driver included | Yes | ENEC mark | ENEC mark |
| Optic type | VWB [Very wide beam] | UL mark | - |
| Optical cover/lens type | PM [PMMA bowl/cover] | | |

GreenSpace Accent Projector Gen1

| | |
|-----------------------------------------|----------------------------------------------------------------------------------------------------------------------------------------------------------------------------------------------------------------------------------------------------------------------------------------------------------------|
| Warranty period | 5 years |
| Remarks | *- According to the Lighting Europe guidance paper 'Evaluating performance of LED based luminaires – January 2018': statistically there is no relevant difference in lumen maintenance between the B50 and, for example, the B10. Therefore, the median useful life (B50) value also represents the B10 value. |
| Constant light output | No |
| Number of products on MCB (16 A type B) | 20 |
| EU RoHS compliant | Yes |
| Product family code | ST320T [GREENSPACE ACCENT PROJECTOR] |
| Unified glare rating CEN | Not applicable |

Operating and Electrical

| | |
|---------------------|-------------|
| Input Voltage | 220-240 V |
| Input frequency | 50 to 60 Hz |
| Inrush current | 22 A |
| Inrush time | 0.260 ms |
| Power factor (min.) | 0.9 |

Controls and Dimming

| | |
|----------|----|
| Dimmable | No |
|----------|----|

Mechanical and Housing

| | |
|-------------------------------------|-----------------------------------------|
| Housing material | Aluminum |
| Reflector material | Polycarbonate aluminum coated |
| Optic material | Polycarbonate |
| Optical cover/lens material | Polymethyl methacrylate |
| Fixation material | Polyamide |
| Optical cover/lens finish | Clear |
| Overall length | 182 mm |
| Overall width | 114 mm |
| Overall height | 193 mm |
| Colour | White |
| Dimensions (height x width x depth) | 193 x 114 x 182 mm (7.6 x 4.5 x 7.2 in) |

Approval and Application

| | |
|------------------------------|--------------------------|
| Ingress protection code | IP20 [Finger-protected] |
| Mech. impact protection code | IK02 [0.2 J standard] |

Initial Performance (IEC Compliant)

| | |
|-------------------------------------|-------------------------|
| Initial luminous flux (system flux) | 3750 lm |
| Luminous flux tolerance | +/-10% |
| Initial LED luminaire efficacy | 119.04761904761905 lm/W |
| Init. Corr. Colour Temperature | 2700 K |
| Init. Colour rendering index | ≥80 |
| Initial chromaticity | (0.46, 0.41) SDCM<3 |
| Initial input power | 31.5 W |
| Power consumption tolerance | +/-10% |

Over Time Performance (IEC Compliant)

| | |
|----------------------------------------------------------|-----|
| Control gear failure rate at median useful life 50,000 h | 5 % |
| Lumen maintenance at median useful life* 50,000 h | L80 |

Application Conditions

| | |
|------------------------------------|---------------|
| Ambient temperature range | +10 to +40 °C |
| Performance ambient temperature Tq | 25 °C |
| Suitable for random switching | Yes |

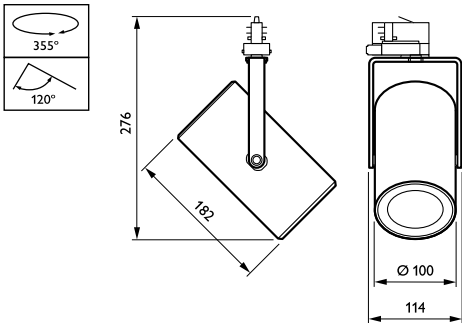
Product Data

| | |
|-----------------------------------|------------------------------|
| Full product code | 871869916668700 |
| Order product name | ST320T LED39S/827 PSU VWB WH |
| EAN/UPC – product | 8718699166687 |
| Order code | 16668700 |
| SAP numerator – quantity per pack | 1 |
| Numerator – packs per outer box | 1 |
| SAP material | 910500459386 |
| SAP net weight (piece) | 0.980 kg |



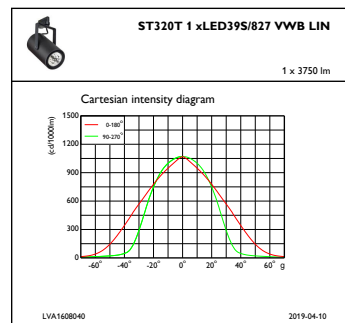
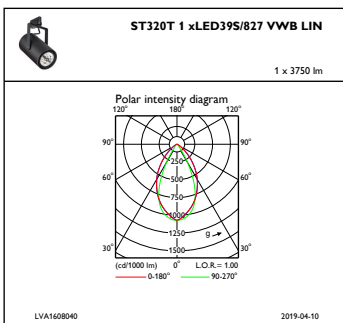
GreenSpace Accent Projector Gen1

Dimensional drawing



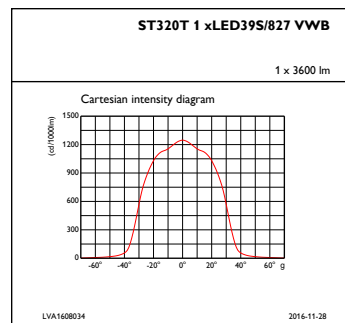
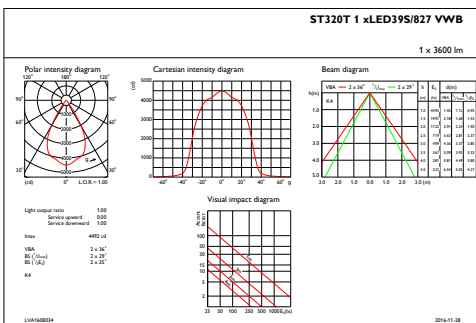
GreenSpace Accent ST315T-ST330T

Photometric data



IFPC1_ST320T1xLED39S827VWBLIN

IFCC1_ST320T1xLED39S827VWBLIN

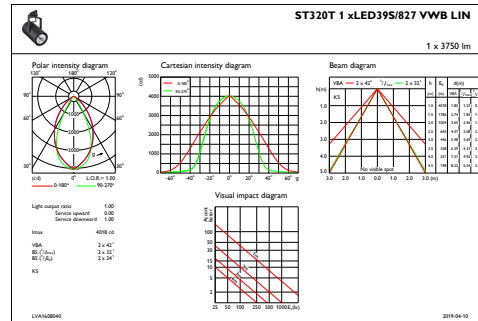
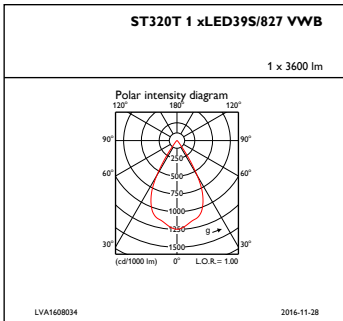


IFAS1_ST320T1xLED39S827VWB

IFCC1_ST320T1xLED39S827VWB

GreenSpace Accent Projector Gen1

Photometric data



IFPC1_ST320T1xLED39S827VWB

IFAS1_ST320T1xLED39S827VWBLIN

