



GreenSpace Accent Projector

ST320T LED39S/830 PSU WB SI

GREENSPACE ACCENT PROJECTOR - LED module 3900 lm - 830 warm white - Power supply unit - Wide beam - Silver

Thanks to the GreenSpace Accent family, retailers and building operators can now make the switch from CDM to LED and enjoy the benefits of Philips PerfectAccent light quality as well as significant energy savings – all for a reasonable initial investment. GreenSpace Accent Projector’s regular 3C adaptor and specific lumen packages make retrofit installation quick and easy. For fashion and food retailers, GreenSpace Accent Projector is available with special light flavors and LED recipes to show the clothes and fresh food produce on offer in the very best light. Check out our Fashion and Food catalogue pages to find out more about CrispWhite, PremiumWhite, Fresh Food Meat and Fresh Food Champagne.

Product data

General Information		Luminaire light beam spread	
Number of light sources	1 pc	Connection	-
Lamp family code	LED39 [LED module 3900 lm]	Cable	-
Beam angle of light source	120 °	Protection class IEC	Safety class II
Light source color	830 warm white	Mounting	3-circuit power track adapter GA69 (connection point) for XTS and XTSF tracks
Cap-Base	- [-]	Glow-wire test	Temperature 650 °C, duration 5 s
Light source replaceable	No	Flammability mark	For mounting on normally flammable surfaces
Number of gear units	1 unit	CE mark	CE mark
Driver/power unit/transformer	Power supply unit	ENEC mark	ENEC mark
Driver included	Yes	UL mark	-
Optic type	Wide beam	Warranty period	5 years
Optical cover/lens type	Polymethyl methacrylate bowl/cover		

GreenSpace Accent Projector

Remarks	*-Per Lighting Europe guidance paper "Evaluating performance of LED based luminaires - January 2018": statistically there is no relevant difference in lumen maintenance between B50 and for example B10. Therefore the median useful life (B50) value also represents the B10 value.
Constant light output	No
Number of products on MCB of 16 A type B	20
RoHS mark	RoHS mark
Product family code	ST320T [GREENSPACE ACCENT PROJECTOR]

Operating and Electrical

Input Voltage	220-240 V
Input Frequency	50 to 60 Hz
Inrush current	22 A
Inrush time	0.260 ms
Power Factor (Min)	0.9

Controls and Dimming

Dimmable	No
----------	----

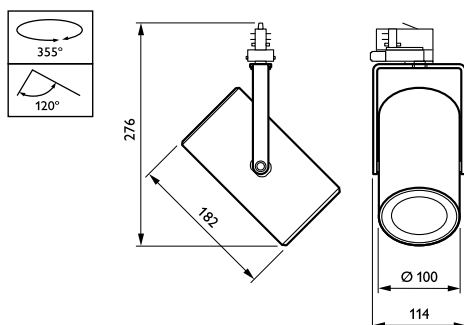
Mechanical and Housing

Housing Material	Aluminum
Reflector material	Polycarbonate aluminum coated
Optic material	Polycarbonate
Optical cover/lens material	Polymethyl methacrylate
Fixation material	Polyamide
Optical cover/lens finish	Clear
Overall length	182 mm
Overall width	114 mm
Overall height	193 mm
Color	Silver

Approval and Application

Ingress protection code	IP20 [Finger-protected]
-------------------------	--------------------------

Dimensional drawing



GreenSpace Accent ST315T-ST330T

Mech. impact protection code	IK02 [0.2 J standard]
------------------------------	------------------------

Initial Performance (IEC Compliant)

Initial luminous flux (system flux)	3900 lm
Luminous flux tolerance	+/-10%
Initial LED luminaire efficacy	123.80952380952381 lm/W
Init. Corr. Color Temperature	3000 K
Init. Color Rendering Index	≥80
Initial chromaticity	(0.43, 0.40) SDCM<3
Initial input power	31.5 W
Power consumption tolerance	+/-10%

Over Time Performance (IEC Compliant)

Control gear failure rate at median useful life 50000 h	5 %
Lumen maintenance at median useful life* 50000 h	L80

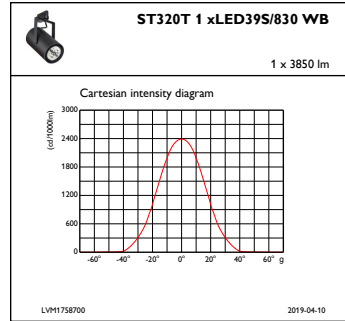
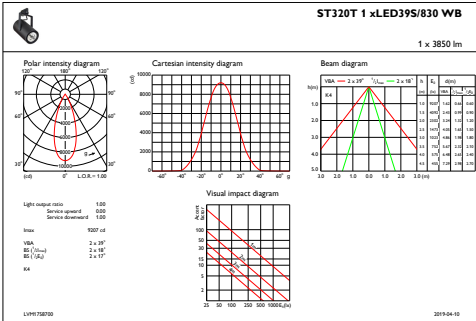
Application Conditions

Ambient temperature range	+10 to +40 °C
Performance ambient temperature Tq	25 °C
Suitable for random switching	Yes (relates to presence/ movement detection and daylight harvesting)

Product Data

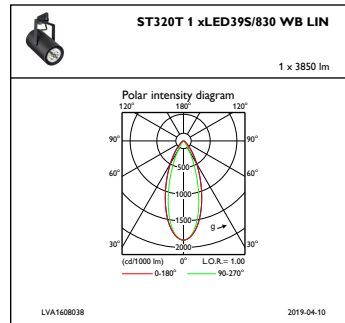
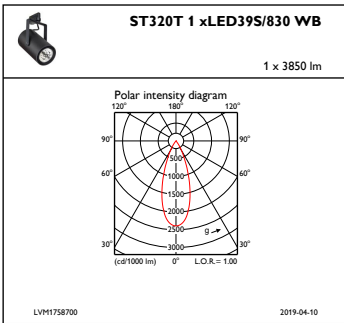
Full product code	871869916674800
Order product name	ST320T LED39S/830 PSU WB SI
EAN/UPC - Product	8718699166748
Order code	910500459392
Numerator - Quantity Per Pack	1
Numerator - Packs per outer box	1
Material Nr. (12NC)	910500459392
Net Weight (Piece)	0.980 kg

Photometric data



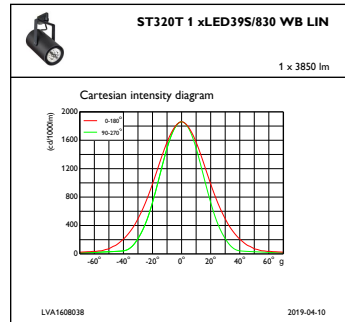
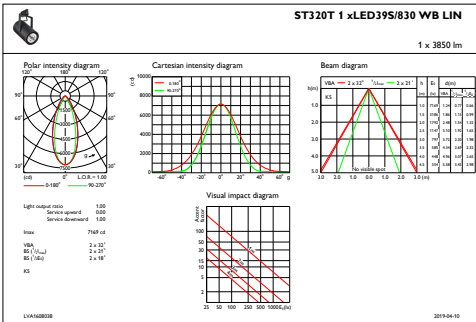
IFAS1_ST320T1xLED39S830WB

IFCC1_ST320T1xLED39S830WB



IFPC1_ST320T1xLED39S830WB

IFPC1_ST320T1xLED39S830WB LIN



IFAS1_ST320T1xLED39S830WB LIN

IFCC1_ST320T1xLED39S830WB LIN

GreenSpace Accent Projector

