



LuxSpace Accent

RS751B LED27S/CH PSE-E WB WH LIN

LuxSpace Accent Performance G3 - LED Module, system flux 2700 lm - Champagne - Power supply unit DC-compatible, external - Wide beam - Linear-lens array oval shape - Push-in connector and pull relief - White

Retailers are increasingly having to contend with rising energy prices. At the same time, they need to retain the quality of light they are used to, flexibility in architectural integration, and the right light effects to catch the customer's eye. Last but not least, they need future-proof solutions that will enable them to implement differentiating concepts in their store. Delivering high-quality light, punch in the beam and outstanding luminous efficacy, LuxSpace Accent is the ideal energy-efficient solution for today's demanding retail environments, covering a wide variety of lighting applications, including CrispWhite and PremiumWhite for fashion stores and Food recipes for supermarkets.

Product data

General Information		Control interface	
Number of light sources	1 pc	Control interface	-
Lamp family code	LED27S [LED Module, system flux 2700 lm]	Connection	Push-in connector and pull relief
Beam angle of light source	120 °	Cable	-
Light source color	Champagne	Protection class IEC	Safety class II
Light source replaceable	No	Glow-wire test	Temperature 650 °C, duration 5 s
Number of gear units	1 unit	Flammability mark	For mounting on normally flammable surfaces
Driver/power unit/transformer	Power supply unit DC-compatible, external	CE mark	CE mark
Driver included	Yes	ENEC mark	ENEC mark
Optic type	Wide beam	UL mark	-
Optical cover/lens type	Linear-lens array oval shape	Warranty period	5 years
Luminaire light beam spread	30° x 60°		

LuxSpace Accent

Remarks	*-Per Lighting Europe guidance paper "Evaluating performance of LED based luminaires - January 2018": statistically there is no relevant difference in lumen maintenance between B50 and for example B10. Therefore the median useful life (B50) value also represents the B10 value.
Constant light output	No
Number of products on MCB of 16 A type B	32
RoHS mark	RoHS mark
Product family code	RS751B [LuxSpace Accent Performance G3]

Operating and Electrical

Input Voltage	220 to 240 V
Input Frequency	50 to 60 Hz
Initial CLO power consumption	- W
Average CLO power consumption	- W
Inrush current	14.5 A
Inrush time	0.22 ms
Power Factor (Min)	0.9

Controls and Dimming

Dimmable	No
----------	----

Mechanical and Housing

Housing Material	Aluminum
Reflector material	Silver
Optic material	Polycarbonate
Optical cover/lens material	Polycarbonate
Fixation material	-
Optical cover/lens finish	Frosted
Overall height	150 mm
Overall diameter	168 mm
Color	White

Approval and Application

Ingress protection code	IP20 [Finger-protected]
-------------------------	--------------------------

Mech. impact protection code	IK02 [0.2 J standard]
------------------------------	------------------------

Initial Performance (IEC Compliant)

Initial luminous flux (system flux)	2700 lm
Luminous flux tolerance	+/-10%
Initial LED luminaire efficacy	64.3 lm/W
Init. Corr. Color Temperature	2500 K
Init. Color Rendering Index	≥90
Initial chromaticity	(0.46, 0.39) SDCM <3
Initial input power	42 W
Power consumption tolerance	+/-10%

Over Time Performance (IEC Compliant)

Control gear failure rate at median useful life 50000 h	5 %
Lumen maintenance at median useful life* 50000 h	L80

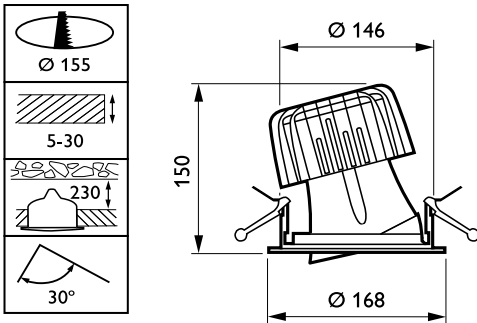
Application Conditions

Ambient temperature range	+10 to +40 °C
Performance ambient temperature Tq	25 °C
Suitable for random switching	Yes

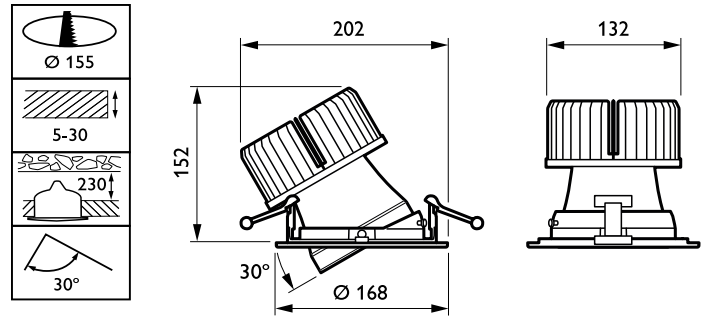
Product Data

Full product code	871869916708000
Order product name	RS751B LED27S/CH PSE-E WB WH LIN
EAN/UPC - Product	8718699167080
Order code	910500459419
Numerator - Quantity Per Pack	1
Numerator - Packs per outer box	1
Material Nr. (12NC)	910500459419
Net Weight (Piece)	1.377 kg

Dimensional drawing

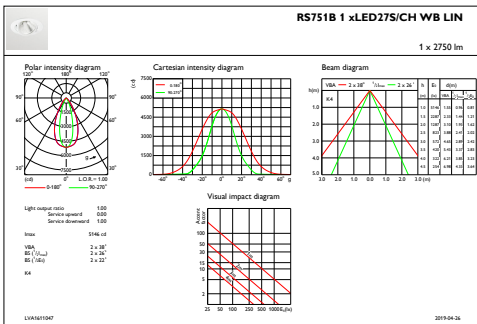


LuxSpace Accent RS730B-RS752B

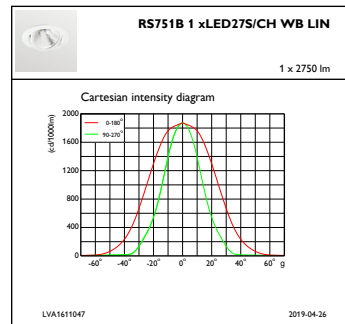


LuxSpace Accent RS730B-RS752B

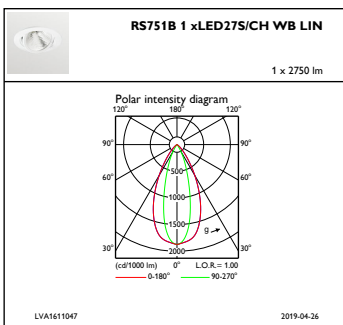
Photometric data



IFAS1_RS751B1xLED27SCHWBLIN



IFCC1_RS751B1xLED27SCHWBLIN



IFPC1_RS751B1xLED27SCHWBLIN

